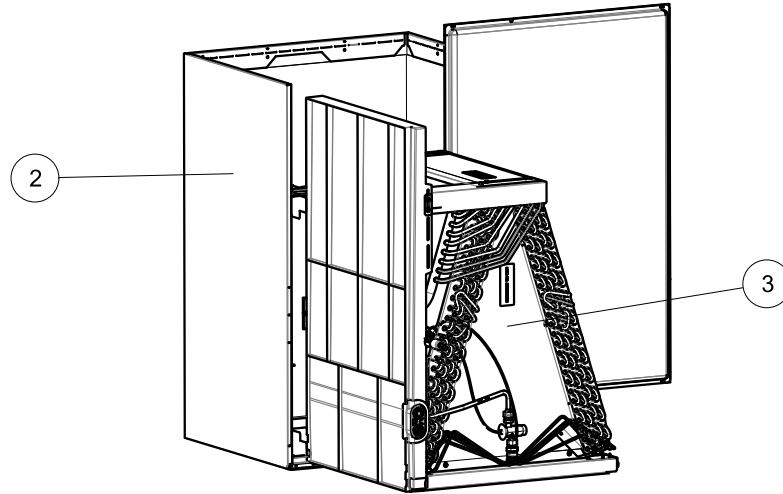


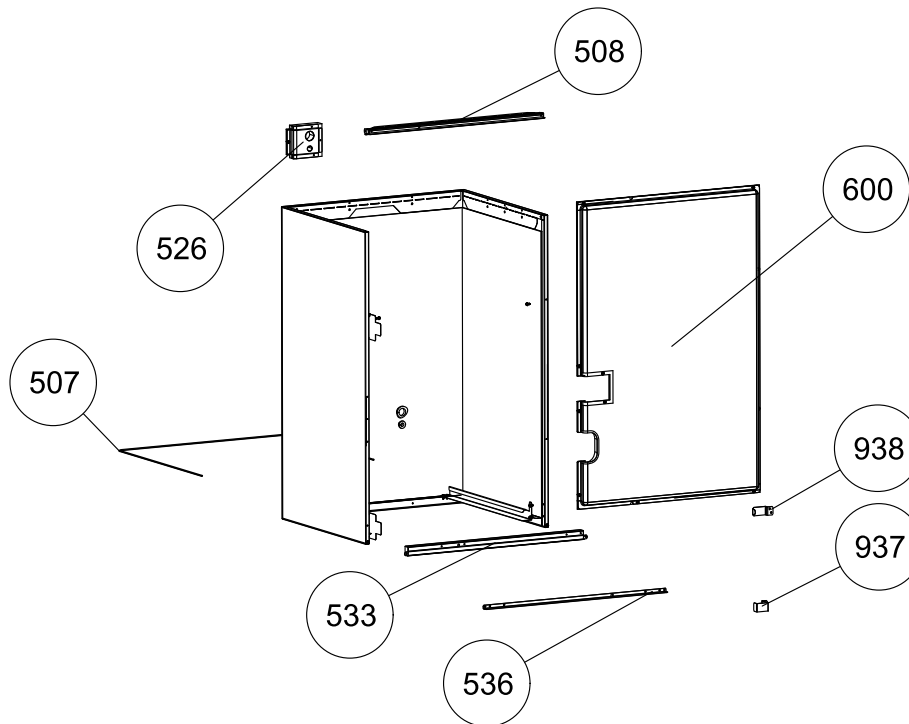
REPAIR PARTS LIST

PRINTED DATE: 1/28/2025

The information provided to you may include Johnson Controls' trade secrets, intellectual property, and confidential business information (including its Bill of Materials), and this information is to be kept in the strictest confidence and not to be disclosed to any third party without the prior written consent of Johnson Controls.



Section	Description
2	SHEET METAL / CABINET PARTS
3	REFRIGERATION SYSTEM
8	MISCELLANEOUS



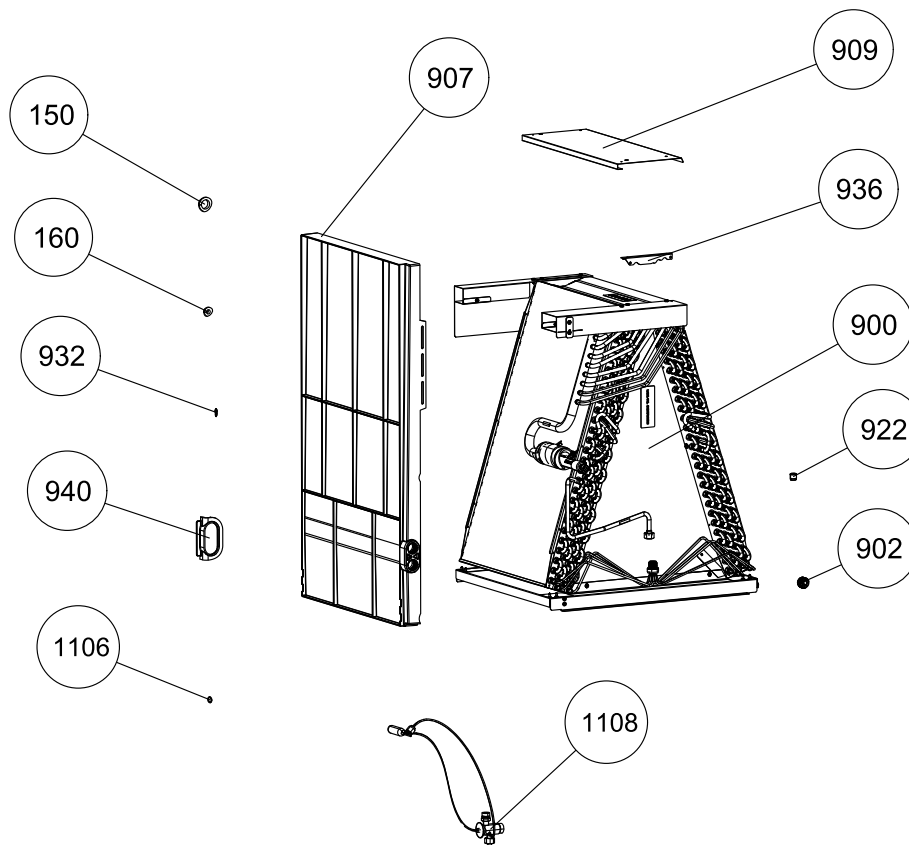
Section : SHEET METAL / CABINET PARTS

Section	Callout	Replacement Part #	Description	Original Part #	XAHA18 ABAN1	XAHA24 BBAN1	XAHB24 BBAN1	XAHB30 CBAN1	XAHB36 DBAN1
2	177	S1-07348818001	FLANGE, DUCT	S1-07348818001	4	4	4	4	4
2	186	S1-07348825001	PAN,AUXILLARY-DRAIN	S1-07348825001	1	1	1	1	1
2	187	S1-07348826001	SUPPORT,AUXILIARY-DRAIN PAN	S1-07348826001	1	1	1	1	1
2	507	S1-02925441000	INSULATION RETAINER,B-CABINET	S1-02925441000			1	1	1
2	508	S1-37348914001	BRACE,ASSEM,CABINET W/INSUL,14.5	S1-37348914001	1	1			
2	508	S1-37348915001	BRACE,ASSEM,CABINET W/INSUL,17.5	S1-37348915001			1	1	1
2	533	S1-37348910001	BRACE,ASSEM,LOWER W/INSUL,14.5,CHAMP	S1-37348910001	1	1			
2	533	S1-37348911001	BRACE,ASSEM,LOWER W/INSUL,17.5,CHAMP	S1-37348911001			1	1	1
2	536	S1-07348821001	ANGLE,TRANSITION,14.5,CHAMP	S1-07348821001	1	1			
2	536	S1-07348822001	ANGLE,TRANSITION,17.5,CHAMP	S1-07348822001			1	1	1
2	600	S1-37348850001	PNL,ASM,LOWER ACCESS,22.3 X 14.5,CHAMP	S1-37348850001	1	1			
2	600	S1-37348851001	PNL,ASM,LOWER ACCESS,22.4 X 17.5,CHAMP	S1-37348851001			1		
2	600	S1-37348852001	PNL,ASM,LOWER ACCESS,25.0 X 17.5,CHAMP	S1-37348852001				1	1
2	918	S1-07348815001	BRACKET,FRONT COIL MOUNT,2R,14H-14.5	S1-07348815001	1				

2	918	S1-07348816001	BRACKET,FRONT COIL MOUNT,2R,16H-14.5	S1-07348816001		1			
2	918	S1-07348817001	BRACKET,FRONT COIL MOUNT,2R,16H-17.5	S1-07348817001			1		
2	937	S1-07348819001	RETAINER,FRONT CLIP	S1-07348819001	1	1	1	1	1
2	938	S1-07348820001	RETAINER,BACK CLIP	S1-07348820001	1	1	1	1	1

Section	Callout	Replacement Part #	Description	Original Part #	XAHB36 DBCN1	XAHC30 CBAN1	XAHC36 DBAN1	XAHC36 DBCN1	
2	177	S1-07348818001	FLANGE, DUCT	S1-07348818001	4	4	4	4	
2	186	S1-07348825001	PAN,AUXILLARY-DRAIN	S1-07348825001	1	1	1	1	
2	187	S1-07348826001	SUPPORT,AUXILIARY-DRAIN PAN	S1-07348826001	1	1	1	1	
2	507	S1-02925441000	INSULATION RETAINER,B-CABINET	S1-02925441000	1				
2	507	S1-02925442000	INSULATION RETAINER,C-CABINET	S1-02925442000		1	1	1	
2	508	S1-37348915001	BRACE,ASSEM,CABINET W/INSUL,17.5	S1-37348915001	1				
2	508	S1-37348916001	BRACE,ASSEM,CABINET W/INSUL,21.0	S1-37348916001		1	1	1	
2	533	S1-37348911001	BRACE,ASSEM,LOWER W/INSUL,17.5,CHAMP	S1-37348911001	1				
2	533	S1-37348912001	BRACE,ASSEM,LOWER W/INSUL,21.0,CHAMP	S1-37348912001		1	1	1	
2	536	S1-07348822001	ANGLE,TRANSITION,17.5,CHAMP	S1-07348822001	1				
2	536	S1-07348823001	ANGLE,TRANSITION,21.0,CHAMP	S1-07348823001		1	1	1	
2	600	S1-37348852001	PNL,ASM,LOWER ACCESS,25.0 X 17.5,CHAMP	S1-37348852001	1				
2	600	S1-37348853001	PNL,ASM,LOWER ACCESS,26.4 X 21.0,CHAMP	S1-37348853001		1	1	1	
2	937	S1-07348819001	RETAINER,FRONT CLIP	S1-07348819001	1	1	1	1	
2	938	S1-07348820001	RETAINER,BACK CLIP	S1-07348820001	1	1	1	1	

Suggested stocking items are shown with shaded item number.



Section : REFRIGERATION SYSTEM

Section	Callout	Replacement Part #	Description	Original Part #	XAHA18 ABAN1	XAHA24 BBAN1	XAHB24 BBAN1	XAHB30 CBAN1	XAHB36 DBAN1
3	150	S1-02813204000	GROMMET 3/4 INCH	S1-02813204000	1	1	1	1	1
3	900	S1-37348937001	COIL W/HORIZ DP,2R/14/14.5,ALUM,FLEX	S1-37348937001	1				
3	900	S1-37348938001	COIL W/HORIZ DP,2R/16/14.5,ALUM,FLEX	S1-37348938001		1			
3	900	S1-37348939001	COIL W/HORIZ DP,2R/16/17.5,ALUM,FLEX	S1-37348939001			1		
3	900	S1-37348940001	COIL W/HORIZ DP,2R/20/17.5,ALUM,FLEX	S1-37348940001				1	
3	900	S1-37348942001	COIL W/HORIZ DP,2R/20/21.0,ALUM,FLEX	S1-37348942001					1
3	902	S1-02812480001	PLUG,DRAIN PAN	S1-02812480001	1	1	1	1	1
3	907	S1-02818871000	PAN,DRAIN,HORIZONTAL,21.05 IN,A-COIL	S1-02818871000	1	1	1		
3	907	S1-02818872000	PAN,DRAIN,HORIZONTAL,23.80 IN,A-COIL	S1-02818872000				1	1
3	909	S1-07348812001	SHIELD.BLOWOFF,2 ROW	S1-07348812001	1	1	1	1	
3	909	S1-07348813001	SHIELD.BLOWOFF,3 ROW	S1-07348813001					1
3	922	S1-02310745000	CAP,SEAL,KNURLED 7/1	S1-02310745000	1	1	1	1	1
3	932	S1-02202475700	CORE,VLV,V PORT (M10)	S1-02202475700	1	1	1	1	1
3	940	S1-02818913000	GASKET,DRAIN PAN	S1-02818913000	1	1	1	1	1

3	1106	S1-02131419000	WASHER, TXV	S1-02131419000	1	1	2	2	2
3	1108	S1-1TVMBA1	KIT, TXV, R-410A, 3/4 INCH CHATLEFF CONN	S1-1TVMBA1	1	1	1	1	1

Section	Callout	Replacement Part #	Description	Original Part #	XAHB36 DBCN1	XAHC30 CBAN1	XAHC36 DBAN1	XAHC36 DBCN1	
3	150	S1-02813204000	GROMMET 3/4 INCH	S1-02813204000	1	1	1	1	
3	900	S1-37348941001	COIL W/HORIZ DP, 3R/20/17.5, ALUM, FLEX	S1-37348941001		1			
3	900	S1-37348942001	COIL W/HORIZ DP, 2R/20/21.0, ALUM, FLEX	S1-37348942001	1				
3	900	S1-37348943001	COIL W/HORIZ DP, 3R/20/21.0, ALUM, FLEX	S1-37348943001			1	1	
3	902	S1-02812480001	PLUG, DRAIN PAN	S1-02812480001	1	1	1	1	
3	907	S1-02818872000	PAN, DRAIN, HORIZONTAL, 23.80 IN, A-COIL	S1-02818872000	1	1	1	1	
3	909	S1-07348812001	SHIELD, BLOWOFF, 2 ROW	S1-07348812001		1			
3	909	S1-07348813001	SHIELD, BLOWOFF, 3 ROW	S1-07348813001	1		1	1	
3	922	S1-02310745000	CAP, SEAL, KNURLED 7/1	S1-02310745000	1	1	1	1	
3	932	S1-02202475700	CORE, VLV, V PORT (M10)	S1-02202475700	1	1	1	1	
3	940	S1-02818913000	GASKET, DRAIN PAN	S1-02818913000	1	1	1	1	
3	1106	S1-02131419000	WASHER, TXV	S1-02131419000	2	2	2	2	
3	1108	S1-1TVMBA1	KIT, TXV, R-410A, 3/4 INCH CHATLEFF CONN	S1-1TVMBA1		1	1		
3	1108	S1-1TVMBC1	KIT, TXV, R-410A, 3/4 INCH CHATLEFF CONN	S1-1TVMBC1	1			1	

Suggested stocking items are shown with shaded item number.

Section : MISCELLANEOUS

Section	Callout	Replacement Part #	Description	Original Part #	XAHA18 ABAN1	XAHA24 BBAN1	XAHB24 BBAN1	XAHB30 CBAN1	XAHB36 DBAN1
8	NS	S1-02818924000	GROMMET,0.406 INCH ID X 0.750 INCH	S1-02818924000	1	1	1	1	1

Section	Callout	Replacement Part #	Description	Original Part #	XAHB36 DBCN1	XAHC30 CBAN1	XAHC36 DBAN1	XAHC36 DBCN1	
8	NS	S1-02818924000	GROMMET,0.406 INCH ID X 0.750 INCH	S1-02818924000	1	1	1	1	

Suggested stocking items are shown with shaded item number.

Model series repair parts lists are generated for each model number from the last production bill of material.

Major components and suggested stocking items are shown with shaded item number.

Repair parts lists are subject to change without notice.

TO ORDER AUTHORIZED FACTORY REPLACEMENT PARTS - Contact your Source1 HVAC Parts Distributor or visit our website at www.Source1Parts.com for a Distributor and Dealer listing.

Copyright © 2025 by Johnson Controls Inc. All rights reserved.

Johnson Controls Unitary Products