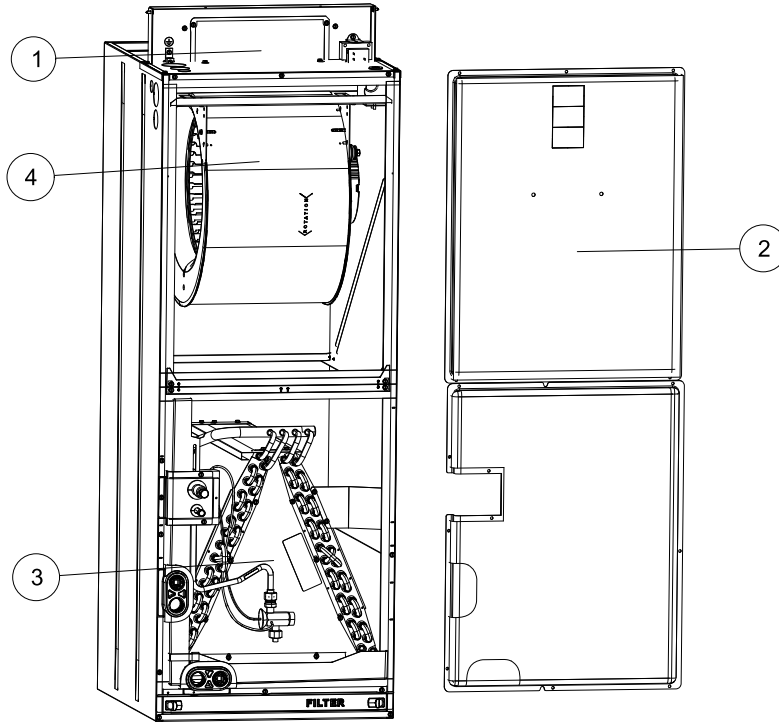


## JHVT SERIES SINGLE PIECE AIR HANDLERS WITH ECM MOTORS, TXV COIL MODELS

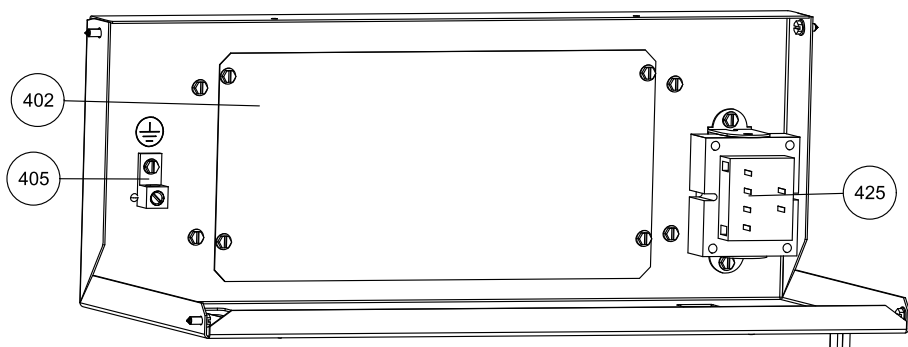
### REPAIR PARTS LIST

PRINTED DATE: 4/8/2024

The information provided to you may include Johnson Controls' trade secrets, intellectual property, and confidential business information (including its Bill of Materials), and this information is to be kept in the strictest confidence and not to be disclosed to any third party without the prior written consent of Johnson Controls.



Section	Description
1	ELECTRICAL BOX / CONTROLS
2	SHEET METAL / CABINET PARTS
3	REFRIGERATION SYSTEM
4	INDOOR BLOWER PARTS
8	MISCELLANEOUS
9	WIRING DIAGRAMS / VFD PARAMETERS
10	HARNESSES



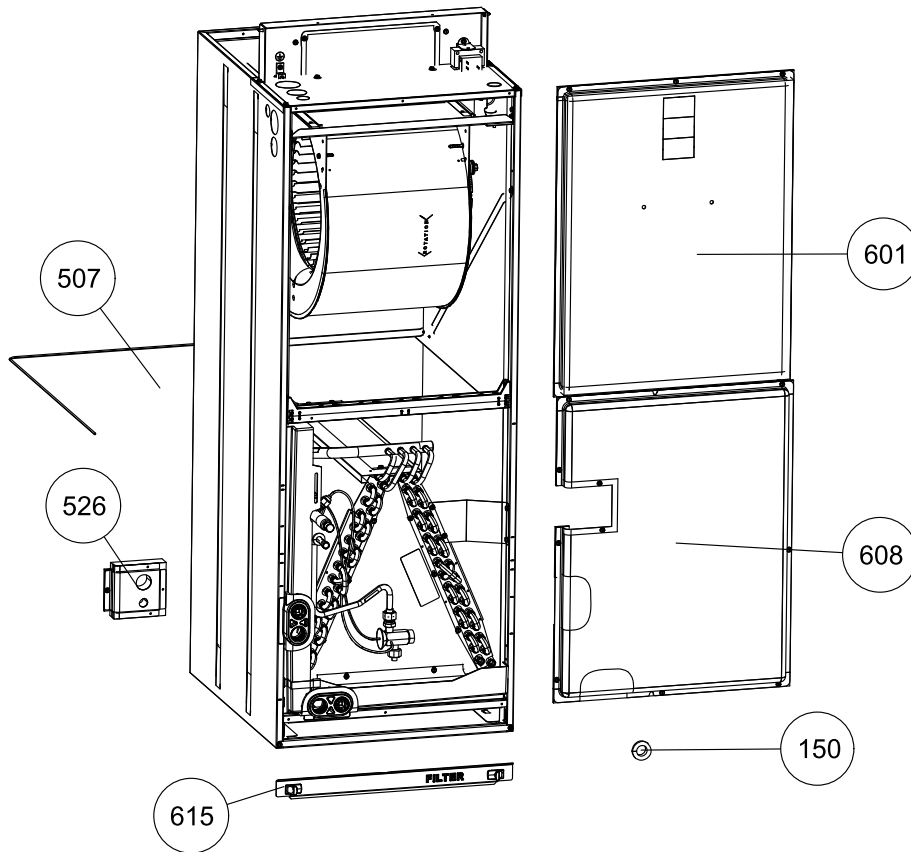
**Section : ELECTRICAL BOX / CONTROLS**

Section	Callout	Replacement Part #	Description	Original Part #	JHVTB18 BBAC2N 1	JHVTB18 BBAC2N 1	JHVTB24 CBAC2N 1	JHVTB24 CBAC2N 1	JHVTB36 DBAC2N 1
1	402	S1-07339412001	COVER,HEAT	S1-07339412001	1	1	1	1	1
1	403	S1-33103885000	BOARD,CIRCUIT,JHVT/JHVV/JMVT	S1-33103885000	1	1	1	1	1
1	405	S1-02521798000	LUG,GROUND,ELECTRICAL ALUMINUM 1.06 X .5	S1-02521798000	1	1	1	1	1
1	408	S1-02818905000	BOX,CONTROL,PLASTIC,W/CLIPS	S1-02818905000	1	1	1	1	1
1	409	S1-02818906000	COVER,CONTROL BOX,PLASTIC	S1-02818906000	1	1	1	1	1
1	412	S1-02818910000	GROMMET,MOLDED,CLIMATE TALK HARNESS	S1-02818910000	1	1	1	1	1
1	425	S1-02518452700	TRNSF,208/240V,24V/40VA,50/60 HZ	S1-02518452700	1	1	1	1	1

Section	Callout	Replacement Part #	Description	Original Part #	JHVTB36 DBAC2N 1	JHVTC36 DBAC2N 1	JHVTC42 FBAC2N1	JHVTD42 FBAC2N1	
1	402	S1-07339412001	COVER,HEAT	S1-07339412001	1	1	1	1	
1	403	S1-33103885000	BOARD,CIRCUIT,JHVT/JHVV/JMVT	S1-33103885000	1	1	1	1	
1	405	S1-02521798000	LUG,GROUND,ELECTRICAL ALUMINUM 1.06 X .5	S1-02521798000	1	1	1	1	
1	408	S1-02818905000	BOX,CONTROL,PLASTIC,W/CLIPS	S1-02818905000	1	1	1	1	
1	409	S1-02818906000	COVER,CONTROL BOX,PLASTIC	S1-02818906000	1	1	1	1	

1	412	S1-02818910000	GROMMET,MOLDED,CLIMATE TALK HARNESS	S1- 02818910 000	1	1	1	1	
1	425	S1-02518452700	TRNSF,208/240V,24V/40VA,50/6 0 HZ	S1- 02518452 700	1	1	1	1	

Suggested stocking items are shown with shaded item number.



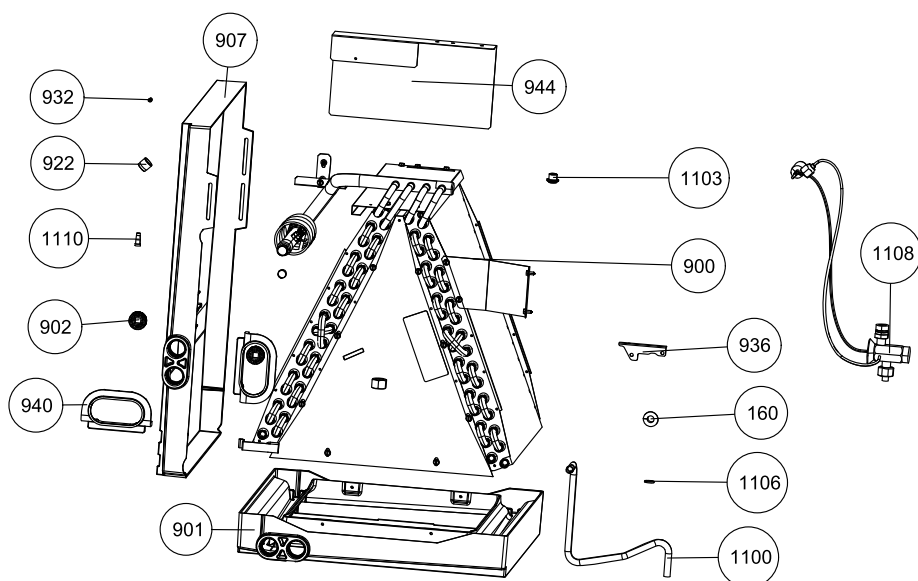
Section : SHEET METAL / CABINET PARTS

Section	Callout	Replacement Part #	Description	Original Part #	JHVTB18 BBAC2N 1	JHVTB18 BBAC2N 1	JHVTB24 CBAC2N 1	JHVTB24 CBAC2N 1	JHVTB36 DBAC2N 1
2	NS	S1-02818911000	KNOB,PANEL,ACCESS,FILTER	S1-02818911000	2	2	2	2	2
2	150	S1-02813204000	GROMMET 3/4 INCH	S1-02813204000	1	1	1	1	1
2	512	S1-02818907000	BRACE,CABINET,CENTER,17.5	S1-02818907000	1	1	1	1	1
2	523	S1-37348867001	PNL,ASSEM,TOP,W/INSUL,17.5,CHAMP	S1-37348867001	1	1	1	1	1
2	526	S1-37348909001	PNL,ASSEM,TUBING ACCESS W/INSUL,CHAMP	S1-37348909001	1	1	1	1	1
2	601	S1-37348888001	PNL,ASSEM,UPPER ACCESS,17.5,CHAMP	S1-37348888001	1	1	1	1	1
2	608	S1-37348870001	PNL,ASSEM,LOWER ACCESS,22.4 X 17.5,CHAMP	S1-37348870001	1	1			
2	608	S1-37348872001	PNL,ASSEM,LOWER ACCESS,25.0 X 17.5,CHAMP	S1-37348872001			1	1	1
2	615	S1-37348861001	PNL,ASSEM,FILTER ACCESS,17.5,CHAMP	S1-37348861001	1	1	1	1	1
2	617	S1-02817061001	GASKET,FOAM,5/8 X 1/8 INCH,100 FOOT ROLL	S1-02817061001	2	2	2	2	2

Section	Callout	Replacement Part #	Description	Original Part #	JHVTB36 DBAC2N 1	JHVTC36 DBAC2N 1	JHVTC42 FBAC2N1	JHVTD42 FBAC2N1
2	NS	S1-02818911000	KNOB,PANEL,ACCESS,FILTER	S1-02818911000	2	2	2	2
2	150	S1-02813204000	GROMMET 3/4 INCH	S1-02813204000	1	1		

2	150	S1-02813205000	GROMMET 7/8 INCH	S1-02813205000			1	1	
2	507	S1-02925442000	INSULATION RETAINER,C-CABINET	S1-02925442000		1	1		
2	512	S1-02818907000	BRACE,CABINET,CENTER,17.5	S1-02818907000	1				
2	512	S1-02818908000	BRACE,CABINET,CENTER,21.5	S1-02818908000		1	1		
2	512	S1-02818909000	BRACE,CABINET,CENTER,24.5	S1-02818909000				1	
2	523	S1-37348867001	PNL,ASSEM,TOP,W/INSUL,17.5,CHAMP	S1-37348867001	1				
2	523	S1-37348868001	PNL,ASSEM,TOP,W/INSUL,21.0,CHAMP	S1-37348868001		1	1		
2	523	S1-37348869001	PNL,ASSEM,TOP,W/INSUL,24.5,CHAMP	S1-37348869001				1	
2	526	S1-37348909001	PNL,ASSEM,TUBING ACCESS W/INSUL,CHAMP	S1-37348909001	1	1	1	1	
2	601	S1-37348888001	PNL,ASSEM,UPPER ACCESS,17.5,CHAMP	S1-37348888001	1				
2	601	S1-37348890001	PNL,ASSEM,UPPER ACCESS,21.0,CHAMP	S1-37348890001		1	1		
2	601	S1-37348892001	PNL,ASSEM,UPPER ACCESS,24.5,CHAMP	S1-37348892001				1	
2	608	S1-37348872001	PNL,ASSEM,LOWER ACCESS,25.0 X 17.5,CHAMP	S1-37348872001	1				
2	608	S1-37348874001	PNL,ASSEM,LOWER ACCESS,26.4 X 21.0,CHAMP	S1-37348874001		1			
2	608	S1-37348876001	PNL,ASSEM,LOWER ACCESS,32.2 X 24.5,CHAMP	S1-37348876001				1	
2	608	S1-37348877001	PNL,ASSEM,LOWER ACCESS,32.4 X 21.0,CHAMP	S1-37348877001			1		
2	615	S1-37348861001	PNL,ASSEM,FILTER ACCESS,17.5,CHAMP	S1-37348861001	1				
2	615	S1-37348863001	PNL,ASSEM,FILTER ACCESS,21.0,CHAMP	S1-37348863001		1	1		
2	615	S1-37348865001	PNL,ASSEM,FILTER ACCESS,24.5,CHAMP	S1-37348865001				1	
2	617	S1-02817061001	GASKET,FOAM,5/8 X 1/8 INCH,100 FOOT ROLL	S1-02817061001	2		2	2	

Suggested stocking items are shown with shaded item number.



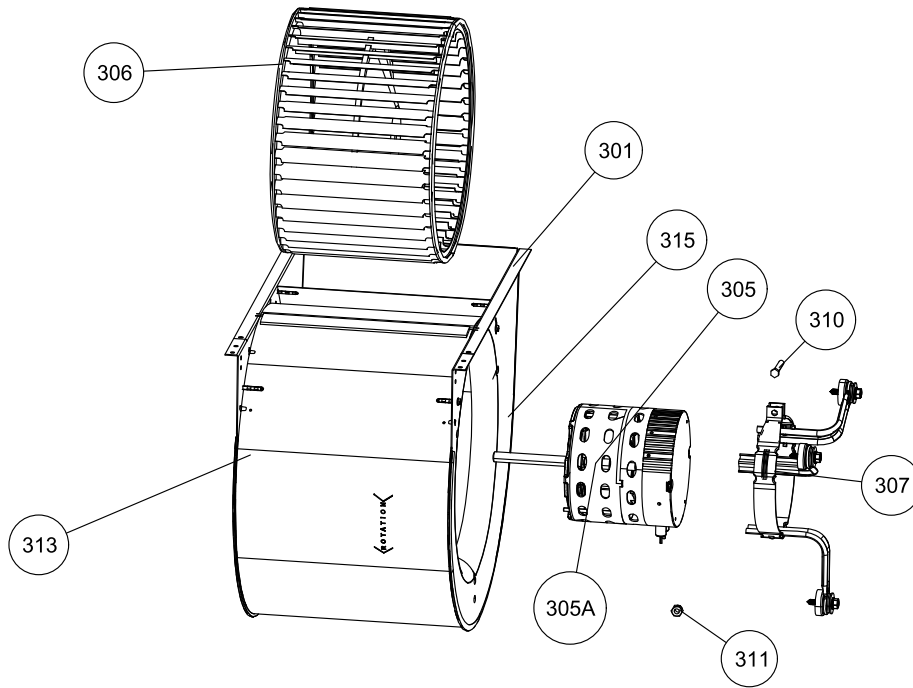
## Section : REFRIGERATION SYSTEM

Section	Callout	Replacement Part #	Description	Original Part #	JHVTB18 BBAC2N 1	JHVTB18 BBAC2N 1	JHVTB24 CBAC2N 1	JHVTB24 CBAC2N 1	JHVTB36 DBAC2N 1
3	NS	S1-02131419000	WASHER, TXV	S1-02131419000	2	2	2	2	2
3	160	S1-02813209000	GROMMET 3/8 INCH	S1-02813209000	1	1	1	1	1
3	900	S1-37348830001	COIL W/HORIZ DP, (2R/16/17.5), ALU FLEX	S1-37348830001	1	1			
3	900	S1-37348831001	COIL W/HORIZ DP, (2R/20/17.5), ALU FLEX	S1-37348831001			1	1	
3	900	S1-37348832001	COIL W/HORIZ DP, (3R/20/17.5), ALU FLEX	S1-37348832001					1
3	901	S1-02818415000	PAN, DRAIN, 2R, 17.5 IN, A-COIL	S1-02818415000	1	1	1	1	
3	901	S1-02818863000	PAN, DRAIN, 3R, 17.5 IN, A-COIL	S1-02818863000					1
3	902	S1-02812480001	PLUG, DRAIN PAN	S1-02812480001	3	3	3	3	3
3	907	S1-02818871000	PAN, DRAIN, HORIZONTAL, 21.05 IN, A-COIL	S1-02818871000	1	1			
3	907	S1-02818872000	PAN, DRAIN, HORIZONTAL, 23.80 IN, A-COIL	S1-02818872000			1	1	1
3	909	S1-07348812001	SHIELD. BLOWOFF, 2 ROW	S1-07348812001	1	1	1	1	
3	909	S1-07348813001	SHIELD. BLOWOFF, 3 ROW	S1-07348813001					1
3	918	S1-07348817001	BRACKET, FRONT COIL MOUNT, 2R, 16H-17.5	S1-07348817001	1	1			

3	922	S1-02310745000	CAP,SEAL,KNURLED 7/1	S1-02310745000	1	1	1	1	1
3	932	S1-02202475700	CORE,VLV,V PORT (M10)	S1-02202475700	1	1	1	1	1
3	935	S1-02310745000	CAP,SEAL,KNURLED 7/1	S1-02310745000	1	1	1	1	1
3	940	S1-02818913000	GASKET,DRAIN PAN	S1-02818913000	2	2	2	2	2
3	1106	S1-02131419000	WASHER, TXV	S1-02131419000	1	1	1	1	1
3	1108	S1-1TVMBA1	KIT, TXV, R-410A, 3/4 INCH CHATLEFF CONN	S1-1TVMBA1	1	1	1	1	1

Section	Callout	Replacement Part #	Description	Original Part #	JHVTB36 DBAC2N1	JHVTC36 DBAC2N1	JHVTC42 FBAC2N1	JHVTD42 FBAC2N1	
3	NS	S1-02131419000	WASHER, TXV	S1-02131419000	2	2	2	2	
3	160	S1-02813209000	GROMMET 3/8 INCH	S1-02813209000	1	1	1	1	
3	900	S1-37348832001	COIL W/HORIZ DP,(3R/20/17.5),ALU FLEX	S1-37348832001	1				
3	900	S1-37348833001	COIL W/HORIZ DP,(3R/20/21.0),ALU FLEX	S1-37348833001		1			
3	900	S1-37348834001	COIL W/HORIZ DP,(3R/24/21.0),ALU FLEX	S1-37348834001			1		
3	900	S1-37348835001	COIL W/HORIZ DP,(3R/24/24.5),ALU FLEX	S1-37348835001				1	
3	901	S1-02818863000	PAN,DRAIN,3R,17.5 IN,A-COIL	S1-02818863000	1				
3	901	S1-02818864000	PAN,DRAIN,3R,21.0 IN,A-COIL	S1-02818864000		1	1		
3	901	S1-02818865000	PAN,DRAIN,3R,24.5 IN,A-COIL	S1-02818865000				1	
3	902	S1-02812480001	PLUG,DRAIN PAN	S1-02812480001	3	3	3	3	
3	907	S1-02818872000	PAN,DRAIN,HORIZONTAL,23.80 IN,A-COIL	S1-02818872000	1	1			
3	907	S1-02818874000	PAN,DRAIN,HORIZONTAL,30.90 IN,A-COIL	S1-02818874000			1	1	
3	909	S1-07348813001	SHIELD.BLOWOFF,3 ROW	S1-07348813001	1	1	1	1	
3	922	S1-02310745000	CAP,SEAL,KNURLED 7/1	S1-02310745000	1	1	1	1	
3	932	S1-02202475700	CORE,VLV,V PORT (M10)	S1-02202475700	1	1	1	1	
3	935	S1-02310745000	CAP,SEAL,KNURLED 7/1	S1-02310745000	1	1	1	1	
3	940	S1-02818913000	GASKET,DRAIN PAN	S1-02818913000	2	2	2	2	
3	1106	S1-02131419000	WASHER, TXV	S1-02131419000	1	1	1	1	
3	1108	S1-1TVMBA1	KIT, TXV, R-410A, 3/4 INCH CHATLEFF CONN	S1-1TVMBA1	1	1	1	1	

Suggested stocking items are shown with shaded item number.



**Section : INDOOR BLOWER PARTS**

Section	Callout	Replacement Part #	Description	Original Part #	JHVTB18 BBAC2N 1	JHVTB18 BBAC2N 1	JHVTB24 CBAC2N 1	JHVTB24 CBAC2N 1	JHVTB36 DBAC2N 1
4	305	S1-02442188000	MTR,BLW,CLIMATETALK,1/3,23 0V,ECM,B OCEAN	S1-02442188000	1	1	1	1	
4	305	S1-02442189000	MTR,BLW,CLIMATETALK,1/2,23 0V,ECM,B OCEAN	S1-02442189000					1
4	306	S1-02650615000	WHL,BLW,11-8	S1-02650615000	1	1	1	1	1
4	307	S1-32650612001	MOUNT,ASSEMBLY,BLWR MOTOR	S1-32650612001	1	1	1	1	1
4	311	S1-02108968000	NUT,HEX,SELF LOCKING,1/4-20	S1-02108968000	1	1	1	1	1
4	313	S1-37348827001	HOUSING,BLOWER,11-8,AHU/MOD	S1-37348827001	1	1	1	1	1

Section	Callout	Replacement Part #	Description	Original Part #	JHVTB36 DBAC2N 1	JHVTC36 DBAC2N 1	JHVTC42 FBAC2N1	JHVTD42 FBAC2N1
4	305	S1-02442189000	MTR,BLW,CLIMATETALK,1/2,23 0V,ECM,B OCEAN	S1-02442189000	1	1		
4	305	S1-02442190000	MTR,BLW,CLIMATETALK,3/4,23 0V,ECM,B OCEAN	S1-02442190000			1	1
4	306	S1-02619654012	WHL,BLW,11 X 10,CW,1/2 BORE	S1-02634501000		1	1	
4	306	S1-02638510000	WHL,BLW 11X11,CW,1/2" BORE	S1-02638510000				1
4	306	S1-02650615000	WHL,BLW,11-8	S1-02650615000	1			
4	307	S1-32650612001	MOUNT,ASSEMBLY,BLWR MOTOR	S1-32650612001	1	1	1	1



4	311	S1-02108968000	NUT,HEX,SELF LOCKING,1/4-20	S1-02108968000	1	1	1	1	
4	313	S1-37348827001	HOUSING,BLOWER,11-8,AHU/MOD	S1-37348827001	1				
4	313	S1-37348828001	HOUSING,BLOWER,11-10,AHU/MOD	S1-37348828001		1	1		
4	313	S1-37348829001	HOUSING,BLOWER,11-11,AHU/MOD	S1-37348829001				1	

Suggested stocking items are shown with shaded item number.

## Section : MISCELLANEOUS

Section	Callout	Replacement Part #	Description	Original Part #	JHVTB18 BBAC2N 1	JHVTB18 BBAC2N 1	JHVTB24 CBAC2N 1	JHVTB24 CBAC2N 1	JHVTB36 DBAC2N 1
8	NS	S1-02527642000	CABLE STRAP,BLACK	S1-02509607000	1	1	1	1	1
8	NS	S1-02816484001	BADGING,YORK,ID,ML (M24)	S1-02816484001	1	1	1	1	1
8	NS	S1-02816486000	BADGING,LUXAIRE,ID,ML (M24)	S1-02816486000	1	1	1	1	1
8	NS	S1-02816487000	BADGING,FRASER-JOHNSTON,ID,ML (M24)	S1-02816487000	1	1	1	1	1
8	NS	S1-02816491000	BADGING,REVOLVE,OD,ML (M24)	S1-02816491000	1	1	1	1	1
8	NS	S1-02817573000	BADGE,CHAMPION,ID,RECESSED MAIN (M24)	S1-02817108000	1	1	1	1	1
8	NS	S1-02818409000	BADGING,COLEMAN,ID,ML (M24)	S1-02818409000	1	1	1	1	1

Section	Callout	Replacement Part #	Description	Original Part #	JHVTB36 DBAC2N 1	JHVTC36 DBAC2N 1	JHVTC42 FBAC2N1	JHVTD42 FBAC2N1	
8	NS	S1-02527642000	CABLE STRAP,BLACK	S1-02509607000	1				
8	NS	S1-02816484001	BADGING,YORK,ID,ML (M24)	S1-02816484001	1				
8	NS	S1-02816486000	BADGING,LUXAIRE,ID,ML (M24)	S1-02816486000	1				
8	NS	S1-02816487000	BADGING,FRASER-JOHNSTON,ID,ML (M24)	S1-02816487000	1				
8	NS	S1-02816491000	BADGING,REVOLVE,OD,ML (M24)	S1-02816491000	1				
8	NS	S1-02817573000	BADGE,CHAMPION,ID,RECESSED MAIN (M24)	S1-02817108000	1				
8	NS	S1-02818409000	BADGING,COLEMAN,ID,ML (M24)	S1-02818409000	1				

Suggested stocking items are shown with shaded item number.

## Section : WIRING DIAGRAMS / VFD PARAMETERS

Section	Callout	Replacement Part #	Description	Original Part #	JHVTB18 BBAC2N 1	JHVTB18 BBAC2N 1	JHVTB24 CBAC2N 1	JHVTB24 CBAC2N 1	JHVTB36 DBAC2N 1
9	9	6135663	WIRING DIAGRAM - 5.5 X 8.5 VS ECM	6135663	1	1	1	1	1

Section	Callout	Replacement Part #	Description	Original Part #	JHVTB36 DBAC2N 1	JHVTC36 DBAC2N 1	JHVTC42 FBAC2N1	JHVTD42 FBAC2N1	
9	9	6135663	WIRING DIAGRAM - 5.5 X 8.5 VS ECM	6135663	1	1	1	1	

Suggested stocking items are shown with shaded item number.

## Section : HARNESES

Section	Callout	Replacement Part #	Description	Original Part #	JHVTB18 BBAC2N 1	JHVTB18 BBAC2N 1	JHVTB24 CBAC2N 1	JHVTB24 CBAC2N 1	JHVTB36 DBAC2N 1
10	406	S1-02553925000	HARNESS,CLIMATE TALK COMM	S1- 02552098 000	1	1	1	1	1

Section	Callout	Replacement Part #	Description	Original Part #	JHVTB36 DBAC2N 1	JHVTC36 DBAC2N 1	JHVTC42 FBAC2N1	JHVTD42 FBAC2N1	
10	406	S1-02553925000	HARNESS,CLIMATE TALK COMM	S1- 02552098 000	1		1	1	

Suggested stocking items are shown with shaded item number.

Model series repair parts lists are generated for each model number from the last production bill of material.

Major components and suggested stocking items are shown with shaded item number.

Repair parts lists are subject to change without notice.

TO ORDER AUTHORIZED FACTORY REPLACEMENT PARTS - Contact your Source1 HVAC Parts Distributor or visit our website at [www.Source1Parts.com](http://www.Source1Parts.com) for a Distributor and Dealer listing.

Copyright © 2024 by Johnson Controls Inc. All rights reserved.

Johnson Controls Unitary Products