



YORK Technical Guide: HMCG2 Series - 16 SEER2 Horizontal Discharge Modulating Air Conditioner

R-410A 2 to 5 Nominal Ton



York International Corporation, 5005 York Drive, Norman, OK 73069

6268894-YTG-B-1122

Supersedes: 6268894-YTG-A-1122

2022-11-16

Contents

Description.....	5
Certification.....	5
Warranty summary.....	6
Features.....	6
Nomenclature.....	7
Physical and electrical data.....	7
Physical and electrical data notes.....	8
Dimensions.....	9
Dimensions notes.....	9
System charge.....	9
System charge data notes.....	10
Charging procedure.....	10
Air handler capacity.....	12
Air handler capacity notes.....	14
Furnace capacity - 2 ton.....	15
Furnace capacity - 3 ton.....	25
Furnace capacity - 4 ton.....	38
Furnace capacity - 5 ton.....	42
Applications and accessories.....	70
Sound power rating.....	71
Mechanical specifications.....	71
Manufacture and certifications.....	71
Typical installation.....	72
Typical field wiring.....	73
Alternative installation clearances.....	74
Performance data - 2 ton.....	75
Cooling performance data - 2 ton.....	75
Cool multiplier airhandler - 2 ton.....	75
Cool multiplier furnace - 2 ton.....	75
Performance data - 3 ton.....	81
Cooling performance data - 3 ton.....	81
Cool multiplier airhandler - 3 ton.....	81
Cool multiplier furnace - 3 ton.....	81
Performance data - 4 ton.....	89
Cooling performance data - 4 ton.....	89
Cool multiplier airhandler - 4 ton.....	89
Cool multiplier furnace - 4 ton.....	90
Performance data - 5 ton.....	92
Cooling performance data - 5 ton.....	92

Cool multiplier airhandler - 5 ton.....	92
Cool multiplier furnace - 5 ton.....	93

Description

The HMC2 horizontal discharge modulating air conditioners are the outdoor section of a high-efficiency cooling system. The outdoor units are designed to be connected to a matching indoor coil with sweat connect lines. Each unit is to be matched with one ducted indoor unit and is not designed for application in a ductless configuration. Sweat connect units are factory charged with refrigerant for a nominal sized matching indoor coil plus 25 ft of field-supplied lines.

Figure 1: Installation certification map

For installation in all US regions and Canada*



*Not currently certified for installation in localities requiring hurricane certification. Check local codes for specific requirements.

Due to continuous product improvement, specifications are subject to change without notice.

Visit us on the web at www.simplygettingthejobdone.com and www.york.com.

Additional rating information can be found at www.ahridirectory.org.

Certification

The units are tested in accordance with the following:



Warranty summary

Extended 10-year limited parts warranty.

Extended 10-year limited compressor warranty.

Extended parts and compressor warranties require online registration within 90 days of purchase for replacement or closing for new home construction.

Warranty does not apply to R-22 models, 3-phase models, or Internet sales.

See the *Limited Warranty* certificate in the *User's Information Manual* for details.

Features

- **360 DC inverter driven technology:** With 360 all DC inverter driven technology, compressor rotation direction and speed is controlled optimizing energy usage and compressor stability through the spectrum of operating conditions. This guarantees optimal space temperature control while providing quiet operation.
- **Pressure sensor:** This unit contains pressure sensing technology, which detects low pressure in cooling mode to protect the system from damage. Intelligent control can also be realized by calculating the indoor coil temperature from system suction pressure.
- **Smaller outdoor form factor for installation flexibility:** This side-discharge outdoor unit saves roughly 35% space over traditional air conditioners. It offers the flexibility of wall, yard or roof installation.
- **Stable temperature control means optimal comfort:** The DC inverter is able to provide full capacity at startup to cool quickly and adjusts speed to prevent temperature fluctuation and energy loss.
- **Agency Listed:** Safety certified by CSA to UL 1995/CSA 22.2. Performance certified to ANSI/AHRI Standard 210/240 in accordance with the Unitary Small Equipment certification program.

Nomenclature

Table 1: Horizontal discharge AC and HP

Configuration	H	H = Horizontal discharge
Stages	M	1 = 1 stage
		2 = 2 stage
		3 = 3 stage
		M = Modulating
		V = Variable capacity
Product type	C	C = Air conditioner
		H = Heat pump
Efficiency series	G	G2 = 16 SEER2
	2	
Voltage	2	2 = 208/230-1-60
		3 = 208/230-3-60
		4 = 460-3-60
Refrigerant	B	B = R-410A
		D = R-454B
Capacity	24	24 = 2 ton
		36 = 3 ton
		48 = 4 ton
		60 = 5 ton
Generation	1	1 = 1st generation
		2 = 2nd generation
Control strategy	S	C = Communicating
		B = Wireless (communicating)
		S = Standard (conventional)
		W = Wireless (conventional)
Style	A	A = Style A
		B = Style B

Physical and electrical data

Table 2: Physical and electrical data

Outdoor unit model	HMCG22B241S	HMCG22B361S	HMCG22B481S	HMCG22B601S
Unit supply voltage	208/230 V, 1 phase, 60 Hz			
Normal voltage range (V)	198 to 253			
Minimum circuit ampacity (A)	15	23	35	35
Maximum overcurrent device (A)	25	35	50	50
Minimum overcurrent device (A)	15	25	35	35

Table 2: Physical and electrical data

Outdoor unit model	HMCG22B241S	HMCG22B361S	HMCG22B481S	HMCG22B601S
Compressor type	Twin rotary	Twin rotary	Twin rotary	Twin rotary
Compressor rated load	11.0	16.1	26.0	26.5
Compressor locked rotor	n/a	n/a	n/a	n/a
Crankcase heater	No	No	No	No
Factory external discharge muffler	No	No	No	No
HS kit required with TXV	No	No	No	No
HS kit part number (S1-2SA067*****)	n/a	n/a	n/a	n/a
Fan diameter (in.)	20	22	20	20
Fan motor type	ECM	ECM	ECM	ECM
Fan motor rated HP	1/12	1/7	1/6	1/6
Fan motor rated load (A)	n/a	n/a	n/a	n/a
Fan motor nominal RPM	880	880	810	850
Fan motor nominal CFM	1825	2235	3525	3615
Coil face area (sq ft)	6.10	7.49	14.03	14.03
Coil rows deep	2	2	2	2
Coil fins per inch	18	17	17	17
Liquid refrigeration piping outdoor unit (field-installed)	3/8	3/8	3/8	3/8
Vapor refrigeration piping outdoor unit (field-installed)	5/8	5/8	7/8	7/8
Unit charge (lb-oz)	4-8	6-3	8-13	9-9
Charge (oz/ft)	0.38	0.38	0.38	0.38
Operating weight (lb)	99	117	206	207

Physical and electrical data notes

1. The normal voltage range is rated in accordance with AHRI Standard 110-2012, utilization range A.
2. Dual element fuses or HACR circuit breaker. Maximum allowable overcurrent protection.
3. Dual element fuses or HACR circuit breaker. Minimum recommended overcurrent protection.
4. The unit charge provided is equal to 25 ft refrigeration piping. Select the appropriate indoor section and refrigeration piping length charge additions to calculate additional charge required and total system charge.
5. For applications with non-standard vapor line sizes, see [Applications and accessories](#).

Dimensions

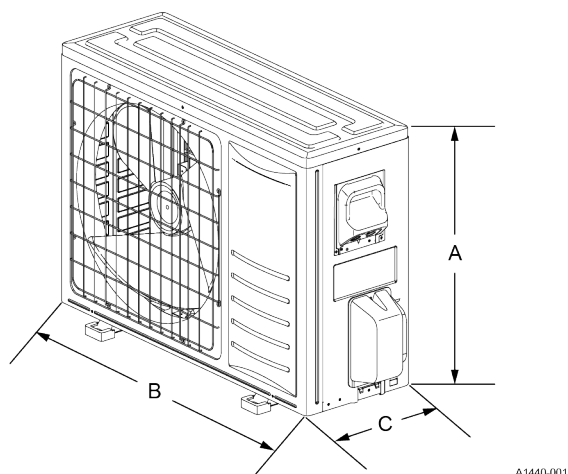
Table 3: Dimensions

Outdoor unit model	Dimensions (in.)			Refrigerant connections service valve size (in.)	
	A	B	C	Liquid	Vapor
HMCG22B241S	26 3/8	33 7/8	12 1/4	3/8	5/8
HMCG22B361S	29 1/2	35 3/8	13 3/8		7/8
HMCG22B481S	54 5/8	37 3/8	13 3/8		
HMCG22B601S	54 5/8	37 3/8	13 3/8		

Dimensions notes

- All dimensions are in inches and are subject to change without notice.
- Overall length and width include screw heads.

Figure 2: Dimensions



System charge

Table 4: System charge

Outdoor unit model	HMCG22B241S	HMCG22B361S	HMCG22B481S	HMCG22B601S
Required TXV	BA1	BA1	BC1	BC1
Indoor coil model	Additional charge (oz)			
JHETB18B	0	—	—	—
JHETB24C	0	-6	—	—
JHETB36D	—	0	—	—
JHETC36D	—	0	—	—
JHETC42F	—	4	-11	—
JHETC48G	—	—	0	—
JHETC60H	—	—	0	0
JHETD48G	—	—	0	—
JHETD60H	—	—	0	0
JHETD60J	—	—	—	0
JHVTB18B	0	—	—	—

Table 4: System charge

Outdoor unit model	HMCG22B241S	HMCG22B361S	HMCG22B481S	HMCG22B601S
Required TXV	BA1	BA1	BC1	BC1
Indoor coil model	Additional charge (oz)			
JHVTB24C	0	-6	—	—
JHVTB36D	—	0	—	—
JHVTC36D	—	0	—	—
JHVTC42F	—	4	-11	—
JHVTC48G	—	—	0	—
JHVTC60H	—	—	0	0
JHVTD48G	—	—	0	—
JHVTD60H	—	—	0	0
JHVTD60J	—	—	—	0
XAF/XAHB24B	0	—	—	—
XAF/XAHC30C	0	-6	—	—
XAF/XAHC36D	—	0	—	—
XAF/XAHC60H	—	—	0	0
XAF/XAHD48F	—	4	-11	—
XAF/XAHD60J	—	—	—	0
XAF/XAU/XAHA24B	0	—	—	—
XAF/XAU/XAHB30C	0	-6	—	—
XAF/XAU/XAHB36D	—	0	—	—
XAF/XAU/XAHC48F	—	4	-11	—
XAF/XAU/XAHC60G	—	—	0	—
XAF/XAU/XAHD60G	—	—	0	—
XAF/XAU/XAHD60H	—	—	0	0

System charge data notes

- For applications requiring a TXV, use the S1-1TVM*** series kit.
- It is necessary to use a TXV kit with these indoor units to obtain system performance.
- Systems matched with furnaces or air handlers not equipped with blower-off delays may require blower time delay.
- Charge adders shown above do not indicate that coils are rated for every application. See Table 2 for actual performance for specified system matches. Obtain certified system ratings from <http://www.ahridirectory.org>.

Charging procedure

1. Check the unit factory charge listed on the unit nameplate to verify the refrigerant charge for the outdoor unit, the smallest matched indoor unit, and 25 ft of interconnecting line tubing.
2. Verify the TXV and additional charge required for the specific matched indoor unit in the system using Table 4.
3. Add additional charge for the amount of interconnecting line tubing greater than 25 ft at the rate specified in Table 2.
4. For indoor matches requiring additional charge, weigh in the refrigerant for the specific matched indoor unit and the actual lineset length.

5. After weighing in the charge adders for the matched indoor unit and lineset, verify the system operation against the temperatures and pressures in the charging chart for the outdoor unit. Locate the charging charts on the outdoor unit and also in the *Service Data Application Guide* on www.simplygettingthejobdone.com. Follow the charging procedure in the Installation Manual according to the type of indoor metering device in the system, and allow 10 min after each charge adjustment for the system operation to stabilize. Record the charge adjustment made to match the charging chart.
6. For downflow installations and horizontal right installations, some indoor units require additional charging adjustments to ensure correct equipment operation. Refer to the *Installation Manual* for the outdoor unit.
7. Permanently stamp the unit nameplate with the total system charge, which is defined as follows: total system charge = base charge (as shipped) + charge adder for matched indoor unit + charge adder for actual lineset length + charge adjustments to match the charging chart.

Air handler capacity

Table 5: Air handler capacity

Outdoor unit model	Air handler model	Air handler width (in.)	Indoor coil model	Stage	Rated CFM	Net cool (MBH)	Sens cool (MBH)	SEER2	EER2
HMCG22B241S	JHETB18BBAS2N1	17.5	—	High	750	24.00	17.40	18.00	11.50
				Intermediate	550	17.30	12.80		16.95
				Low	550	14.40	11.70		29.15
HMCG22B241S	JHVTB24CBAC2N1	17.5	—	High	750	23.80	17.10	17.50	11.50
				Intermediate	500	17.00	9.00		16.90
				Low	500	13.90	9.60		28.75
HMCG22B241S	JHETB24CBAS2N1	17.5	—	High	750	23.80	17.10	18.00	11.50
				Intermediate	550	17.20	9.50		17.10
				Low	550	14.00	10.20		29.20
HMCG22B241S	JHVTB18BBAC2N1	17.5	—	High	775	23.40	16.80	17.00	11.00
				Intermediate	500	16.40	8.60		16.20
				Low	500	13.90	9.40		28.40
HMCG22B361S	JHETB36DBCS2N1	17.5	—	High	1225	36.00	27.40	17.00	10.00
				Intermediate	850	25.00	19.60		16.35
				Low	850	19.50	17.30		27.55
HMCG22B361S	JHVTB36DBCC2N1	17.5	—	High	1200	36.00	26.20	18.00	11.00
				Intermediate	800	24.40	13.90		16.70
				Low	800	19.30	14.20		30.00
HMCG22B361S	JHVTC36DBCC2N1	21.0	—	High	1200	36.00	26.20	17.50	10.50
				Intermediate	625	23.60	13.20		16.65
				Low	625	19.00	12.40		31.10
HMCG22B481S	JHETC48GBCS2N1	21.0	—	High	1575	48.00	34.80	16.50	10.00
				Intermediate	825	31.20	21.40		15.05
				Low	825	24.40	18.20		27.05
HMCG22B481S	JHVTD48GBCC2N1	24.5	—	High	1500	47.50	32.80	16.00	9.80
				Intermediate	850	31.00	14.60		15.05
				Low	850	24.40	15.80		27.05
HMCG22B481S	JHETC60HBCS2N1	24.5	—	High	1575	48.00	33.40	17.00	9.90
				Intermediate	900	32.20	15.90		15.85
				Low	900	25.00	16.90		29.65
HMCG22B481S	JHVTC48GBCC2N1	21.0	—	High	1525	47.50	33.00	15.50	9.80
				Intermediate	800	30.60	14.00		14.85
				Low	800	24.20	15.30		26.80
HMCG22B481S	JHVTC60HBC2N1	21.0	—	High	1525	48.00	33.00	16.50	9.80
				Intermediate	950	32.60	16.50		15.75
				Low	950	25.00	17.30		28.75
HMCG22B481S	JHVTC42FBCC2N1	21.0	—	High	1450	47.50	32.40	16.50	9.80
				Intermediate	750	30.80	14.00		15.40
				Low	750	24.40	15.10		28.60
HMCG22B481S	JHVTD60HBCC2N1	24.5	—	High	1500	48.00	32.80	17.00	10.00
				Intermediate	950	32.60	16.50		15.90
				Low	950	25.20	17.50		29.40
HMCG22B481S	JHETD48GBCS2N1	21.0	—	High	1375	47.50	32.20	16.00	9.80
				Intermediate	900	31.40	15.30		15.10
				Low	900	24.60	16.30		27.05
HMCG22B481S	JHETD60HBCS2N1	24.5	—	High	1575	48.00	33.40	17.00	9.90
				Intermediate	900	32.20	15.90		15.85
				Low	900	25.00	16.90		29.70
HMCG22B601S	JHETD60JBCS2N1	24.5	—	High	1800	56.00	40.00	18.50	10.00
				Intermediate	1275	36.80	28.40		17.05
				Low	1275	28.40	24.60		31.55
HMCG22B601S	JHETD60HBCS2N1	24.5	—	High	1750	54.00	39.50	18.00	10.00
				Intermediate	1125	35.60	19.50		16.85
				Low	1125	27.80	20.20		31.90
HMCG22B601S	JHETC60HBCS2N1	24.5	—	High	1575	53.00	37.80	17.50	9.80
				Intermediate	1100	35.40	19.20		16.70
				Low	1100	27.60	19.90		31.45
HMCG22B601S	JHVTD60JBCC2N1	24.5	—	High	1725	55.00	41.50	18.00	10.00
				Intermediate	1025	35.20	20.40		16.95
				Low	1025	26.60	19.60		32.35

Table 5: Air handler capacity

Outdoor unit model	Air handler model	Air handler width (in.)	Indoor coil model	Stage	Rated CFM	Net cool (MBH)	Sens cool (MBH)	SEER2	EER2
HMCG22B601S	JHVTC60HBCC2N1	21.0	—	High	1775	54.00	39.50	17.50	9.80
				Intermediate	1050	35.20	18.80		16.75
				Low	1050	27.40	19.40		32.00
HMCG22B601S	JHVTD60HBCC2N1	24.5	—	High	1650	53.50	38.50	18.00	10.00
				Intermediate	1125	35.60	19.50		16.75
				Low	1125	27.60	20.00		31.50
HMCG22B601S	JHVTC60HBCC2N1	21.0	—	High	1775	54.00	39.50	17.50	9.80
				Intermediate	1050	35.20	18.80		16.75
				Low	1050	27.40	19.40		32.00
HMCG22B601S	JHVTD60HBCC2N1	24.5	—	High	1650	53.50	38.50	18.00	10.00
				Intermediate	1125	35.60	19.50		16.75
				Low	1125	27.60	20.00		31.50
HMCG22B601S	JHETC60HBCS2N1	24.5	—	High	1575	53.00	37.80	17.50	9.80
				Intermediate	1100	35.40	19.20		16.70
				Low	1100	27.60	19.90		31.45
HMCG22B601S	JHETD60JBCS2N1	24.5	—	High	1800	56.00	40.00	18.50	10.00
				Intermediate	1275	36.80	28.40		17.05
				Low	1275	28.40	24.60		31.55
HMCG22B601S	JHETD60HBCS2N1	24.5	—	High	1750	54.00	39.50	18.00	10.00
				Intermediate	1125	35.60	19.50		16.85
				Low	1125	27.80	20.20		31.90
HMCG22B601S	JHVTD60JBCC2N1	24.5	—	High	1725	55.00	41.50	18.00	10.00
				Intermediate	1025	35.20	20.40		16.95
				Low	1025	26.60	19.60		32.35
HMCG22B601S	JHVTD60JBCC2N1	24.5	—	High	1725	55.00	41.50	18.00	10.00
				Intermediate	1025	35.20	20.40		16.95
				Low	1025	26.60	19.60		32.35
HMCG22B601S	JHVTC60HBCC2N1	21.0	—	High	1775	54.00	39.50	17.50	9.80
				Intermediate	1050	35.20	18.80		16.75
				Low	1050	27.40	19.40		32.00
HMCG22B601S	JHVTD60HBCC2N1	24.5	—	High	1650	53.50	38.50	18.00	10.00
				Intermediate	1125	35.60	19.50		16.75
				Low	1125	27.60	20.00		31.50
HMCG22B601S	JHETD60JBCS2N1	24.5	—	High	1800	56.00	40.00	18.50	10.00
				Intermediate	1275	36.80	28.40		17.05
				Low	1275	28.40	24.60		31.55
HMCG22B601S	JHETD60HBCS2N1	24.5	—	High	1750	54.00	39.50	18.00	10.00
				Intermediate	1125	35.60	19.50		16.85
				Low	1125	27.80	20.20		31.90
HMCG22B601S	JHETC60HBCS2N1	24.5	—	High	1575	53.00	37.80	17.50	9.80
				Intermediate	1100	35.40	19.20		16.70
				Low	1100	27.60	19.90		31.45
HMCG22B601S	JHVTC60HBCC2N1	21.0	—	High	1775	54.00	39.50	17.50	9.80
				Intermediate	1050	35.20	18.80		16.75
				Low	1050	27.40	19.40		32.00
HMCG22B601S	JHVTD60HBCC2N1	24.5	—	High	1650	53.50	38.50	18.00	10.00
				Intermediate	1125	35.60	19.50		16.75
				Low	1125	27.60	20.00		31.50
HMCG22B601S	JHETC60HBCS2N1	24.5	—	High	1575	53.00	37.80	17.50	9.80
				Intermediate	1100	35.40	19.20		16.70
				Low	1100	27.60	19.90		31.45
HMCG22B601S	JHVTD60JBCC2N1	24.5	—	High	1725	55.00	41.50	18.00	10.00
				Intermediate	1025	35.20	20.40		16.95
				Low	1025	26.60	19.60		32.35
HMCG22B601S	JHETD60JBCS2N1	24.5	—	High	1800	56.00	40.00	18.50	10.00
				Intermediate	1275	36.80	28.40		17.05
				Low	1275	28.40	24.60		31.55
HMCG22B601S	JHETD60HBCS2N1	24.5	—	High	1750	54.00	39.50	18.00	10.00
				Intermediate	1125	35.60	19.50		16.85
				Low	1125	27.80	20.20		31.90

Air handler capacity notes

- Rated in accordance with DOE test procedures (Federal Register 12-27-79 and 3-18-88) and ANSI/AHRI Standard 210/240.
- Cooling MBH is based on 80°F entering air temperature, 50% RH (relative humidity), and rated airflow.
- EER2 (energy efficiency ratio) is the total cooling output in Btu at 95°F outdoor ambient divided by the total electric power in watt-hours at those conditions.
- SEER2 (seasonal energy efficiency ratio) is the total cooling output in Btu during a normal annual usage period for cooling divided by the total electric power input in watt-hours during the same period.

Furnace capacity - 2 ton

Table 6: Furnace capacity - 2 ton

Outdoor unit model	Furnace model	Furnace width (in.)	Indoor coil model	Stage	Rated CFM	Net cool (MBH)	Sens cool (MBH)	SEER2	EER2
HMCG22B241S	TM9Y100C16MP11	21.0	XAH/XAHC30C	High	750	23.60	16.90	17.00	11.00
				Intermediate	550	17.10	9.50		16.45
				Low	550	13.90	10.20		27.10
HMCG22B241S	TM9Y080B12MP11	17.5	XAH/XAHB24B	High	750	23.20	16.40	16.00	11.00
				Intermediate	625	16.80	10.20		15.60
				Low	625	14.00	10.80		25.55
HMCG22B241S	TM9Y060B12MP11	17.5	XAH/XAHB24B	High	700	23.00	15.90	16.00	11.00
				Intermediate	575	16.60	9.60		15.35
				Low	575	13.90	10.20		25.20
HMCG22B241S	TM9Y040A10MP11	14.5	XAH/XAHA24B	High	675	22.80	15.50	16.00	10.50
				Intermediate	475	16.10	8.30		15.30
				Low	475	13.60	9.00		25.65
HMCG22B241S	TM9V080B12MP12C	17.5	XAH/XAHB24B	High	750	23.20	16.40	16.50	11.00
				Intermediate	525	16.40	8.90		15.75
				Low	525	13.80	9.60		26.75
HMCG22B241S	TP9C080B12MP13C	17.5	XAH/XAHB24B	High	750	23.20	16.40	16.50	11.00
				Intermediate	525	16.40	8.90		15.75
				Low	525	13.80	9.60		26.75
HMCG22B241S	YP9C080B12MP13C	17.5	XAH/XAHB24B	High	750	23.20	16.40	16.50	11.00
				Intermediate	525	16.40	8.90		15.75
				Low	525	13.80	9.60		26.75
HMCG22B241S	TM9V060B12MP12C	17.5	XAH/XAHB24B	High	700	23.00	15.90	16.50	10.50
				Intermediate	475	16.20	8.30		15.65
				Low	475	13.70	9.00		26.75
HMCG22B241S	TP9C060B12MP13C	17.5	XAH/XAHB24B	High	700	23.00	15.90	16.50	10.50
				Intermediate	475	16.20	8.30		15.65
				Low	475	13.70	9.00		26.75
HMCG22B241S	YP9C060B12MP13C	17.5	XAH/XAHB24B	High	700	23.00	15.90	16.50	10.50
				Intermediate	475	16.20	8.30		15.65
				Low	475	13.70	9.00		26.75
HMCG22B241S	TM9V040A10MP12C	14.5	XAH/XAHA24B	High	775	23.00	16.40	16.00	10.50
				Intermediate	500	16.20	8.60		15.40
				Low	500	13.70	9.30		25.85
HMCG22B241S	TM9E080C16MP12	21.0	XAH/XAHC30C	High	675	23.40	16.20	16.50	11.50
				Intermediate	575	17.10	9.80		16.15
				Low	575	13.90	10.50		25.90
HMCG22B241S	TM9E060B12MP12	21.0	XAH/XAHC30C	High	800	23.60	17.20	16.00	11.00
				Intermediate	650	17.50	10.80		16.05
				Low	650	14.00	11.30		25.25
HMCG22B241S	TM9E060A10MP12	14.5	XAH/XAHA24B	High	725	23.00	16.00	15.50	10.50
				Intermediate	600	16.60	9.80		15.20
				Low	600	13.90	10.50		24.60
HMCG22B241S	TM9E040A10MP12	14.5	XAH/XAHA24B	High	725	23.00	16.00	15.50	10.50
				Intermediate	550	16.40	9.20		15.25
				Low	550	13.80	9.90		25.00
HMCG22B241S	TM9E026A08MP12	14.5	XAH/XAHA24B	High	725	22.80	15.80	16.00	10.50
				Intermediate	475	16.20	8.40		15.60
				Low	475	13.70	9.00		26.65
HMCG22B241S	TM8Y080C16MP11	21.0	XAF/XAFC30C	High	750	23.80	17.10	17.00	11.50
				Intermediate	625	17.50	10.50		16.70
				Low	625	14.10	11.10		27.30
HMCG22B241S	TM8Y080B12MP11	17.5	XAF/XAFB24B	High	650	23.00	15.50	16.00	11.00
				Intermediate	575	16.60	9.60		15.55
				Low	575	13.90	10.20		25.75
HMCG22B241S	TM8Y060A12MP11	14.5	XAF/XAF/XAUA24B	High	750	23.20	16.40	16.50	10.50
				Intermediate	600	16.70	9.80		15.75
				Low	600	14.00	10.50		26.20
HMCG22B241S	TM8V080B12MP12C	17.5	XAF/XAFB24B	High	725	23.00	16.00	16.00	10.50
				Intermediate	500	16.30	8.70		15.60
				Low	500	13.70	9.30		26.50

Table 6: Furnace capacity - 2 ton

Outdoor unit model	Furnace model	Furnace width (in.)	Indoor coil model	Stage	Rated CFM	Net cool (MBH)	Sens cool (MBH)	SEER2	EER2
HMCG22B241S	TPLC080B12MP13C	17.5	XAF/XAFB24B	High	725	23.00	16.00	16.00	10.50
				Intermediate	500	16.30	8.70		15.60
				Low	500	13.70	9.30		26.50
HMCG22B241S	YPLC080B12MP13C	17.5	XAF/XAFB24B	High	725	23.00	16.00	16.00	10.50
				Intermediate	500	16.30	8.70		15.60
				Low	500	13.70	9.30		26.50
HMCG22B241S	TM8E100B12MP11	17.5	XAH/XAHB30C	High	725	23.60	16.70	16.50	11.00
				Intermediate	600	17.30	10.20		11.35
				Low	600	14.00	10.80		26.40
HMCG22B241S	TMLE100B12MP11	17.5	XAH/XAHB30C	High	725	23.60	16.70	16.50	11.00
				Intermediate	600	17.30	10.20		11.35
				Low	600	14.00	10.80		26.40
HMCG22B241S	TM8E080B12MP11	21.0	XAH/XAHC30C	High	750	23.60	16.90	16.50	11.00
				Intermediate	625	17.40	10.50		11.25
				Low	625	14.00	11.00		26.05
HMCG22B241S	TMLE080B12MP11	21.0	XAH/XAHC30C	High	750	23.60	16.90	16.50	11.00
				Intermediate	625	17.40	10.50		11.25
				Low	625	14.00	11.00		26.05
HMCG22B241S	TM8E060A12MP11	17.5	XAH/XAHB30C	High	700	23.40	16.30	16.50	11.00
				Intermediate	625	17.40	10.50		11.10
				Low	625	14.00	11.10		25.50
HMCG22B241S	TMLE060A12MP11	17.5	XAH/XAHB30C	High	700	23.40	16.30	16.50	11.00
				Intermediate	625	17.40	10.50		11.10
				Low	625	14.00	11.10		25.50
HMCG22B241S	TM8E040A12MP11	17.5	XAH/XAHB30C	High	725	23.60	16.70	17.00	11.50
				Intermediate	575	17.20	9.80		11.65
				Low	575	14.00	10.50		27.00
HMCG22B241S	TMLE040A12MP11	17.5	XAH/XAHB30C	High	725	23.60	16.70	17.00	11.50
				Intermediate	575	17.20	9.80		11.65
				Low	575	14.00	10.50		27.00
HMCG22B241S	TL9E060B12UH11	21.0	XAH/XAHC30C	High	725	23.60	16.70	17.00	11.00
				Intermediate	575	17.20	9.90		11.35
				Low	575	13.90	10.40		26.60
HMCG22B241S	TL8E060A12UH11	17.5	XAH/XAHB30C	High	700	23.40	16.30	17.00	11.00
				Intermediate	575	17.20	9.80		11.15
				Low	575	14.00	10.50		26.95
HMCG22B241S	TM9Y080C16MP11	21.0	XAH/XAHC30C	High	775	23.80	17.20	17.50	11.00
				Intermediate	550	17.20	9.60		11.85
				Low	550	14.00	10.20		28.25
HMCG22B241S	TM9Y080B12MP11	17.5	XAF/XAF/XAUB30C	High	750	23.60	16.90	16.50	11.00
				Intermediate	650	17.50	10.70		11.40
				Low	650	14.10	11.40		26.25
HMCG22B241S	TM9Y060B12MP11	17.5	XAF/XAF/XAUB30C	High	725	23.60	16.70	16.50	11.00
				Intermediate	600	17.30	10.20		11.20
				Low	600	14.00	10.80		26.05
HMCG22B241S	TM9Y040A10MP11	17.5	XAF/XAFB24B	High	675	22.80	15.50	16.00	10.50
				Intermediate	500	16.20	8.60		11.45
				Low	500	13.70	9.30		26.00
HMCG22B241S	TM9V080B12MP12C	17.5	XAF/XAF/XAUB30C	High	750	23.60	16.90	17.00	11.00
				Intermediate	525	17.00	9.20		11.60
				Low	525	13.90	9.90		27.60
HMCG22B241S	TP9C080B12MP13C	17.5	XAF/XAF/XAUB30C	High	750	23.60	16.90	17.00	11.00
				Intermediate	525	17.00	9.20		11.60
				Low	525	13.90	9.90		27.60
HMCG22B241S	YP9C080B12MP13C	17.5	XAF/XAF/XAUB30C	High	750	23.60	16.90	17.00	11.00
				Intermediate	525	17.00	9.20		11.60
				Low	525	13.90	9.90		27.60
HMCG22B241S	TM9V060B12MP12C	17.5	XAF/XAF/XAUB30C	High	725	23.60	16.70	17.00	11.00
				Intermediate	475	16.80	8.60		11.50
				Low	475	13.70	9.20		27.75
HMCG22B241S	TP9C060B12MP13C	17.5	XAF/XAF/XAUB30C	High	725	23.60	16.70	17.00	11.00
				Intermediate	475	16.80	8.60		11.50
				Low	475	13.70	9.20		27.75

Table 6: Furnace capacity - 2 ton

Outdoor unit model	Furnace model	Furnace width (in.)	Indoor coil model	Stage	Rated CFM	Net cool (MBH)	Sens cool (MBH)	SEER2	EER2
HMCG22B241S	YP9C060B12MP13C	17.5	XAF/XAF/XAUB30C	High	725	23.60	16.70	17.00	11.00
				Intermediate	475	16.80	8.60		16.50
				Low	475	13.70	9.20		27.75
HMCG22B241S	TM9V040A10MP12C	17.5	XAF/XAFB24B	High	775	23.00	16.40	16.00	10.50
				Intermediate	500	16.30	8.70		15.50
				Low	500	13.70	9.30		26.25
HMCG22B241S	TM9E080B12MP12	21.0	XAH/XAHC30C	High	775	23.60	17.00	16.00	11.00
				Intermediate	675	17.60	11.10		16.05
				Low	675	14.10	11.70		25.10
HMCG22B241S	TM9E060B12MP12	17.5	XAH/XAHB24B	High	800	23.20	16.80	15.50	10.50
				Intermediate	650	16.90	10.50		15.35
				Low	650	14.00	11.00		24.60
HMCG22B241S	TM9E060A10MP12	17.5	XAF/XAFB24B	High	750	23.20	16.40	16.00	11.00
				Intermediate	625	16.80	10.20		15.40
				Low	625	14.00	10.80		25.00
HMCG22B241S	TM9E040A10MP12	17.5	XAF/XAFB24B	High	750	23.00	16.20	16.00	10.50
				Intermediate	575	16.60	9.60		15.35
				Low	575	13.90	10.20		25.25
HMCG22B241S	TM9E026A08MP12	17.5	XAF/XAFB24B	High	750	23.00	16.20	16.50	10.50
				Intermediate	500	16.30	8.60		15.75
				Low	500	13.80	9.30		26.95
HMCG22B241S	TM8Y080B12MP11	17.5	XAH/XAHB30C	High	650	23.40	16.00	16.50	11.50
				Intermediate	575	17.20	9.90		16.25
				Low	575	13.90	10.50		26.25
HMCG22B241S	TM8Y060A12MP11	17.5	XAH/XAHB24B	High	775	23.20	16.60	16.50	11.00
				Intermediate	600	16.80	9.90		15.80
				Low	600	14.00	10.50		26.40
HMCG22B241S	TM8V080B12MP12C	17.5	XAH/XAHB30C	High	725	23.40	16.50	17.00	11.00
				Intermediate	500	16.90	9.00		16.30
				Low	500	13.80	9.60		26.80
HMCG22B241S	TPLC080B12MP13C	17.5	XAH/XAHB30C	High	725	23.40	16.50	17.00	11.00
				Intermediate	500	16.90	9.00		16.30
				Low	500	13.80	9.60		26.80
HMCG22B241S	YPLC080B12MP13C	17.5	XAH/XAHB30C	High	725	23.40	16.50	17.00	11.00
				Intermediate	500	16.90	9.00		16.30
				Low	500	13.80	9.60		26.80
HMCG22B241S	TM8E120C16MP11	21.0	XAF/XAFC30C	High	725	23.60	16.70	16.50	11.50
				Intermediate	650	17.50	10.80		16.40
				Low	650	14.10	11.40		26.20
HMCG22B241S	TMLE120C16MP11	21.0	XAF/XAFC30C	High	725	23.60	16.70	16.50	11.50
				Intermediate	650	17.50	10.80		16.40
				Low	650	14.10	11.40		26.20
HMCG22B241S	TM8E100B12MP11	21.0	XAF/XAFC30C	High	750	23.60	16.90	17.00	11.50
				Intermediate	625	17.40	10.40		16.50
				Low	625	14.10	11.10		26.70
HMCG22B241S	TMLE100B12MP11	21.0	XAF/XAFC30C	High	750	23.60	16.90	17.00	11.50
				Intermediate	625	17.40	10.40		16.50
				Low	625	14.10	11.10		26.70
HMCG22B241S	TM8E080B12MP11	17.5	XAH/XAHB24B	High	725	23.20	16.20	16.00	11.00
				Intermediate	600	16.70	9.90		15.40
				Low	600	13.90	10.40		25.20
HMCG22B241S	TMLE080B12MP11	17.5	XAH/XAHB24B	High	725	23.20	16.20	16.00	11.00
				Intermediate	600	16.70	9.90		15.40
				Low	600	13.90	10.40		25.20
HMCG22B241S	TM8E060A12MP11	14.5	XAH/XAHA24B	High	675	23.00	15.70	15.50	11.00
				Intermediate	600	16.60	9.80		15.20
				Low	600	13.90	10.50		24.60
HMCG22B241S	TMLE060A12MP11	14.5	XAH/XAHA24B	High	675	23.00	15.70	15.50	11.00
				Intermediate	600	16.60	9.80		15.20
				Low	600	13.90	10.50		24.60
HMCG22B241S	TM8E040A12MP11	14.5	XAH/XAHA24B	High	700	23.00	15.90	16.00	11.00
				Intermediate	550	16.50	9.30		15.55
				Low	550	13.90	9.90		26.05

Table 6: Furnace capacity - 2 ton

Outdoor unit model	Furnace model	Furnace width (in.)	Indoor coil model	Stage	Rated CFM	Net cool (MBH)	Sens cool (MBH)	SEER2	EER2
HMCG22B241S	TMLE040A12MP11	14.5	XAH/XAHA24B	High	700	23.00	15.90	16.00	11.00
				Intermediate	550	16.50	9.30		15.55
				Low	550	13.90	9.90		26.05
HMCG22B241S	TL9E060B12UH11	17.5	XAH/XAHB24B	High	700	23.00	15.90	16.00	11.00
				Intermediate	550	16.50	9.30		15.50
				Low	550	13.80	9.90		25.75
HMCG22B241S	TL8E060A12UH11	14.5	XAH/XAHA24B	High	675	23.00	15.70	16.00	11.00
				Intermediate	550	16.50	9.30		15.55
				Low	550	13.90	9.90		26.05
HMCG22B241S	TM9Y100C16MP11	21.0	XAF/XAFC30C	High	775	23.80	17.20	17.00	11.00
				Intermediate	550	17.10	9.50		16.55
				Low	550	13.90	10.20		27.40
HMCG22B241S	TM9Y080B12MP11	21.0	XAF/XAFC30C	High	750	23.60	16.90	16.50	11.00
				Intermediate	625	17.40	10.50		16.35
				Low	625	14.00	11.00		26.25
HMCG22B241S	TM9Y060B12MP11	21.0	XAF/XAFC30C	High	725	23.60	16.70	16.50	11.00
				Intermediate	600	17.30	10.20		16.20
				Low	600	14.00	10.80		26.05
HMCG22B241S	TM9Y040A10MP11	17.5	XAF/XAF/XAUB30C	High	675	23.20	16.00	16.50	10.50
				Intermediate	500	16.80	8.90		16.15
				Low	500	13.70	9.50		26.45
HMCG22B241S	TM9V080B12MP12C	21.0	XAF/XAFC30C	High	750	23.60	16.90	17.00	11.00
				Intermediate	525	17.00	9.20		16.55
				Low	525	13.90	9.90		27.55
HMCG22B241S	TP9C080B12MP13C	21.0	XAF/XAFC30C	High	750	23.60	16.90	17.00	11.00
				Intermediate	525	17.00	9.20		16.55
				Low	525	13.90	9.90		27.55
HMCG22B241S	YP9C080B12MP13C	21.0	XAF/XAFC30C	High	750	23.60	16.90	17.00	11.00
				Intermediate	525	17.00	9.20		16.55
				Low	525	13.90	9.90		27.55
HMCG22B241S	TM9V060B12MP12C	21.0	XAF/XAFC30C	High	725	23.60	16.70	17.00	11.00
				Intermediate	475	16.80	8.60		16.50
				Low	475	13.70	9.20		27.75
HMCG22B241S	TP9C060B12MP13C	21.0	XAF/XAFC30C	High	725	23.60	16.70	17.00	11.00
				Intermediate	475	16.80	8.60		16.50
				Low	475	13.70	9.20		27.75
HMCG22B241S	YP9C060B12MP13C	21.0	XAF/XAFC30C	High	725	23.60	16.70	17.00	11.00
				Intermediate	475	16.80	8.60		16.50
				Low	475	13.70	9.20		27.75
HMCG22B241S	TM9V040A10MP12C	17.5	XAF/XAF/XAUB30C	High	775	23.40	16.80	16.50	10.50
				Intermediate	500	16.90	9.00		16.30
				Low	500	13.80	9.60		26.80
HMCG22B241S	TM9E080C16MP12	21.0	XAF/XAFC30C	High	700	23.60	16.50	16.50	11.50
				Intermediate	600	17.30	10.20		16.25
				Low	600	14.00	10.80		26.15
HMCG22B241S	TM9E060B12MP12	17.5	XAH/XAHB30C	High	800	23.60	17.20	16.00	11.00
				Intermediate	650	17.40	10.70		16.00
				Low	650	14.00	11.30		25.15
HMCG22B241S	TM9E060A10MP12	17.5	XAF/XAF/XAUB30C	High	750	23.60	16.90	16.50	11.00
				Intermediate	625	17.40	10.50		16.10
				Low	625	14.00	11.10		25.60
HMCG22B241S	TM9E040A10MP12	17.5	XAF/XAF/XAUB30C	High	750	23.40	16.70	16.50	11.00
				Intermediate	575	17.10	9.80		16.10
				Low	575	13.90	10.50		25.85
HMCG22B241S	TM9E026A08MP12	17.5	XAF/XAF/XAUB30C	High	775	23.40	16.80	17.00	10.50
				Intermediate	500	16.90	8.90		16.50
				Low	500	13.80	9.60		27.55
HMCG22B241S	TM8Y080B12MP11	21.0	XAH/XAHC30C	High	650	23.40	16.00	16.50	11.50
				Intermediate	575	17.20	9.90		16.25
				Low	575	13.90	10.50		26.30
HMCG22B241S	TM8Y060A12MP11	17.5	XAH/XAHB30C	High	775	23.60	17.00	17.00	11.00
				Intermediate	600	17.30	10.10		16.55
				Low	600	14.00	10.70		27.00

Table 6: Furnace capacity - 2 ton

Outdoor unit model	Furnace model	Furnace width (in.)	Indoor coil model	Stage	Rated CFM	Net cool (MBH)	Sens cool (MBH)	SEER2	EER2
HMCG22B241S	TM8V080B12MP12C	21.0	XAH/XAHC30C	High	725	23.40	16.50	17.00	11.00
				Intermediate	500	16.90	9.00		16.35
				Low	500	13.80	9.60		26.90
HMCG22B241S	TPLC080B12MP13C	21.0	XAH/XAHC30C	High	725	23.40	16.50	17.00	11.00
				Intermediate	500	16.90	9.00		16.35
				Low	500	13.80	9.60		26.90
HMCG22B241S	YPLC080B12MP13C	21.0	XAH/XAHC30C	High	725	23.40	16.50	17.00	11.00
				Intermediate	500	16.90	9.00		16.35
				Low	500	13.80	9.60		26.90
HMCG22B241S	TM8V060A12MP12C	17.5	XAF/XAF/XAUB30C	High	700	23.60	16.50	17.00	11.50
				Intermediate	525	17.00	9.20		16.60
				Low	525	13.90	9.90		27.60
HMCG22B241S	TMLV060A12MP12C	17.5	XAF/XAF/XAUB30C	High	700	23.60	16.50	17.00	11.50
				Intermediate	525	17.00	9.20		16.60
				Low	525	13.90	9.90		27.60
HMCG22B241S	TPLC060A12MP13C	17.5	XAF/XAF/XAUB30C	High	700	23.60	16.50	17.00	11.50
				Intermediate	525	17.00	9.20		16.60
				Low	525	13.90	9.90		27.60
HMCG22B241S	YPLC060A12MP13C	17.5	XAF/XAF/XAUB30C	High	700	23.60	16.50	17.00	11.50
				Intermediate	525	17.00	9.20		16.60
				Low	525	13.90	9.90		27.60
HMCG22B241S	TM8E100B12MP11	17.5	XAH/XAHB24B	High	725	23.20	16.20	16.00	11.00
				Intermediate	600	16.70	9.90		15.60
				Low	600	14.00	10.50		25.80
HMCG22B241S	TML1E100B12MP11	17.5	XAH/XAHB24B	High	725	23.20	16.20	16.00	11.00
				Intermediate	600	16.70	9.90		15.60
				Low	600	14.00	10.50		25.80
HMCG22B241S	TM8E080B12MP11	17.5	XAH/XAHB30C	High	725	23.60	16.70	16.50	11.00
				Intermediate	600	17.30	10.20		16.10
				Low	600	13.90	10.70		25.80
HMCG22B241S	TML1E080B12MP11	17.5	XAH/XAHB30C	High	725	23.60	16.70	16.50	11.00
				Intermediate	600	17.30	10.20		16.10
				Low	600	13.90	10.70		25.80
HMCG22B241S	TM8E060A12MP11	17.5	XAH/XAHB24B	High	700	23.20	16.10	16.00	11.00
				Intermediate	625	16.80	10.20		15.40
				Low	625	14.00	10.80		24.95
HMCG22B241S	TML1E060A12MP11	17.5	XAH/XAHB24B	High	700	23.20	16.10	16.00	11.00
				Intermediate	625	16.80	10.20		15.40
				Low	625	14.00	10.80		24.95
HMCG22B241S	TM8E040A12MP11	17.5	XAH/XAHB24B	High	725	23.20	16.20	16.50	11.00
				Intermediate	575	16.60	9.50		15.75
				Low	575	13.90	10.20		26.40
HMCG22B241S	TML1E040A12MP11	17.5	XAH/XAHB24B	High	725	23.20	16.20	16.50	11.00
				Intermediate	575	16.60	9.50		15.75
				Low	575	13.90	10.20		26.40
HMCG22B241S	TL9E060B12UH11	17.5	XAH/XAHB30C	High	700	23.40	16.30	16.50	11.00
				Intermediate	575	17.20	9.90		16.30
				Low	575	13.90	10.40		26.40
HMCG22B241S	TL8E060A12UH11	17.5	XAH/XAHB24B	High	700	23.20	16.10	16.50	11.00
				Intermediate	575	16.60	9.50		15.75
				Low	575	13.90	10.20		26.35
HMCG22B241S	TM9Y080C16MP11	21.0	XAF/XAFC30C	High	775	23.80	17.20	17.50	11.00
				Intermediate	575	17.30	9.90		16.95
				Low	575	14.00	10.40		28.40
HMCG22B241S	TM9Y080B12MP11	17.5	XAF/XAFB24B	High	750	23.20	16.40	16.00	11.00
				Intermediate	625	16.80	10.20		15.60
				Low	625	14.00	10.70		25.65
HMCG22B241S	TM9Y060B12MP11	17.5	XAF/XAFB24B	High	725	23.20	16.20	16.00	11.00
				Intermediate	600	16.70	9.90		15.50
				Low	600	13.90	10.40		25.40
HMCG22B241S	TM9Y040A10MP11	14.5	XAF/XAF/XAUA24B	High	675	22.80	15.50	16.00	10.50
				Intermediate	475	16.10	8.30		15.30
				Low	475	13.60	9.00		25.75

Table 6: Furnace capacity - 2 ton

Outdoor unit model	Furnace model	Furnace width (in.)	Indoor coil model	Stage	Rated CFM	Net cool (MBH)	Sens cool (MBH)	SEER2	EER2
HMCG22B241S	TM9V080B12MP12C	17.5	XAF/XAFB24B	High	750	23.20	16.40	16.50	11.00
				Intermediate	525	16.40	8.90		15.80
				Low	525	13.80	9.60		26.95
HMCG22B241S	TP9C080B12MP13C	17.5	XAF/XAFB24B	High	750	23.20	16.40	16.50	11.00
				Intermediate	525	16.40	8.90		15.80
				Low	525	13.80	9.60		26.95
HMCG22B241S	YP9C080B12MP13C	17.5	XAF/XAFB24B	High	750	23.20	16.40	16.50	11.00
				Intermediate	525	16.40	8.90		15.80
				Low	525	13.80	9.60		26.95
HMCG22B241S	TM9V060B12MP12C	17.5	XAF/XAFB24B	High	700	23.00	15.90	16.50	11.00
				Intermediate	475	16.20	8.30		15.70
				Low	475	13.70	9.00		26.95
HMCG22B241S	TP9C060B12MP13C	17.5	XAF/XAFB24B	High	700	23.00	15.90	16.50	11.00
				Intermediate	475	16.20	8.30		15.70
				Low	475	13.70	9.00		26.95
HMCG22B241S	YP9C060B12MP13C	17.5	XAF/XAFB24B	High	700	23.00	15.90	16.50	11.00
				Intermediate	475	16.20	8.30		15.70
				Low	475	13.70	9.00		26.95
HMCG22B241S	TM9V040A10MP12C	14.5	XAF/XAF/XAUA24B	High	775	23.00	16.40	16.00	10.50
				Intermediate	500	16.20	8.60		15.45
				Low	500	13.70	9.30		26.00
HMCG22B241S	TM9E080B12MP12	17.5	XAH/XAHB30C	High	775	23.60	17.00	16.00	11.00
				Intermediate	675	17.50	11.00		16.00
				Low	675	14.10	11.70		25.00
HMCG22B241S	TM9E060B12MP12	17.5	XAF/XAFB24B	High	800	23.20	16.80	15.50	10.50
				Intermediate	650	16.90	10.50		15.35
				Low	650	14.00	11.00		24.70
HMCG22B241S	TM9E060A10MP12	14.5	XAF/XAF/XAUA24B	High	725	23.00	16.00	15.50	10.50
				Intermediate	600	16.60	9.80		15.20
				Low	600	13.90	10.50		24.65
HMCG22B241S	TM9E040A10MP12	14.5	XAF/XAF/XAUA24B	High	725	23.00	16.00	15.50	10.50
				Intermediate	575	16.50	9.50		15.30
				Low	575	13.90	10.20		25.10
HMCG22B241S	TM9E026A08MP12	14.5	XAF/XAF/XAUA24B	High	750	23.00	16.20	16.00	10.50
				Intermediate	475	16.20	8.30		15.60
				Low	475	13.70	9.00		26.70
HMCG22B241S	TM8Y080B12MP11	17.5	XAH/XAHB24B	High	650	23.00	15.50	16.00	11.00
				Intermediate	575	16.60	9.60		15.50
				Low	575	13.90	10.20		25.70
HMCG22B241S	TM8Y060A12MP11	14.5	XAH/XAHA24B	High	750	23.20	16.40	16.00	10.50
				Intermediate	575	16.60	9.60		15.65
				Low	575	13.90	10.20		26.05
HMCG22B241S	TM8V080B12MP12C	17.5	XAH/XAHB24B	High	725	23.00	16.00	16.00	10.50
				Intermediate	500	16.30	8.70		15.50
				Low	500	13.70	9.30		26.25
HMCG22B241S	TPLC080B12MP13C	17.5	XAH/XAHB24B	High	725	23.00	16.00	16.00	10.50
				Intermediate	500	16.30	8.70		15.50
				Low	500	13.70	9.30		26.25
HMCG22B241S	YPLC080B12MP13C	17.5	XAH/XAHB24B	High	725	23.00	16.00	16.00	10.50
				Intermediate	500	16.30	8.70		15.50
				Low	500	13.70	9.30		26.25
HMCG22B241S	TM8E100C16MP11	21.0	XAH/XAHC30C	High	700	23.60	16.50	16.50	11.50
				Intermediate	625	17.40	10.50		16.25
				Low	625	14.00	11.00		25.95
HMCG22B241S	TMLE100C16MP11	21.0	XAH/XAHC30C	High	700	23.60	16.50	16.50	11.50
				Intermediate	625	17.40	10.50		16.25
				Low	625	14.00	11.00		25.95
HMCG22B241S	TM8E100B12MP11	17.5	XAF/XAF/XAUB30C	High	750	23.60	16.90	17.00	11.50
				Intermediate	625	17.40	10.40		16.50
				Low	625	14.10	11.10		26.70
HMCG22B241S	TMLE100B12MP11	17.5	XAF/XAF/XAUB30C	High	750	23.60	16.90	17.00	11.50
				Intermediate	625	17.40	10.40		16.50
				Low	625	14.10	11.10		26.70

Table 6: Furnace capacity - 2 ton

Outdoor unit model	Furnace model	Furnace width (in.)	Indoor coil model	Stage	Rated CFM	Net cool (MBH)	Sens cool (MBH)	SEER2	EER2
HMCG22B241S	TM8E080B12MP11	21.0	XAF/XAFC30C	High	750	23.60	16.90	16.50	11.50
				Intermediate	625	17.40	10.50		16.30
				Low	625	14.00	11.00		26.10
HMCG22B241S	TMLE080B12MP11	21.0	XAF/XAFC30C	High	750	23.60	16.90	16.50	11.50
				Intermediate	625	17.40	10.50		16.30
				Low	625	14.00	11.00		26.10
HMCG22B241S	TM8E060A12MP11	17.5	XAF/XAF/XAUB30C	High	725	23.60	16.70	16.50	11.50
				Intermediate	650	17.50	10.80		16.25
				Low	650	14.10	11.40		25.85
HMCG22B241S	TMLE060A12MP11	17.5	XAF/XAF/XAUB30C	High	725	23.60	16.70	16.50	11.50
				Intermediate	650	17.50	10.80		16.25
				Low	650	14.10	11.40		25.85
HMCG22B241S	TM8E040A12MP11	17.5	XAF/XAF/XAUB30C	High	725	23.60	16.70	17.00	11.50
				Intermediate	575	17.20	9.80		16.55
				Low	575	14.00	10.50		27.15
HMCG22B241S	TMLE040A12MP11	17.5	XAF/XAF/XAUB30C	High	725	23.60	16.70	17.00	11.50
				Intermediate	575	17.20	9.80		16.55
				Low	575	14.00	10.50		27.15
HMCG22B241S	TL9E060B12UH11	21.0	XAF/XAFC30C	High	725	23.60	16.70	17.00	11.00
				Intermediate	575	17.20	9.90		16.35
				Low	575	13.90	10.40		26.65
HMCG22B241S	TL8E060A12UH11	17.5	XAF/XAF/XAUB30C	High	700	23.60	16.50	17.00	11.50
				Intermediate	575	17.20	9.80		16.50
				Low	575	14.00	10.50		27.10
HMCG22B241S	TM9Y080B12MP11	17.5	XAH/XAHB30C	High	750	23.60	16.90	16.50	11.00
				Intermediate	625	17.40	10.50		16.30
				Low	625	14.00	11.00		26.10
HMCG22B241S	TM9Y060B12MP11	17.5	XAH/XAHB30C	High	700	23.40	16.30	16.50	11.00
				Intermediate	575	17.10	9.80		16.10
				Low	575	13.90	10.50		25.75
HMCG22B241S	TM9Y040A10MP11	17.5	XAH/XAHB24B	High	675	22.80	15.50	16.00	10.50
				Intermediate	500	16.20	8.60		15.40
				Low	500	13.70	9.30		25.90
HMCG22B241S	TM9V080B12MP12C	17.5	XAH/XAHB30C	High	750	23.60	16.90	17.00	11.00
				Intermediate	525	17.00	9.20		16.50
				Low	525	13.80	9.80		27.30
HMCG22B241S	TP9C080B12MP13C	17.5	XAH/XAHB30C	High	750	23.60	16.90	17.00	11.00
				Intermediate	525	17.00	9.20		16.50
				Low	525	13.80	9.80		27.30
HMCG22B241S	YP9C080B12MP13C	17.5	XAH/XAHB30C	High	750	23.60	16.90	17.00	11.00
				Intermediate	525	17.00	9.20		16.50
				Low	525	13.80	9.80		27.30
HMCG22B241S	TM9V060B12MP12C	17.5	XAH/XAHB30C	High	700	23.40	16.30	17.00	11.00
				Intermediate	475	16.80	8.60		16.40
				Low	475	13.70	9.30		27.30
HMCG22B241S	TP9C060B12MP13C	17.5	XAH/XAHB30C	High	700	23.40	16.30	17.00	11.00
				Intermediate	475	16.80	8.60		16.40
				Low	475	13.70	9.30		27.30
HMCG22B241S	YP9C060B12MP13C	17.5	XAH/XAHB30C	High	700	23.40	16.30	17.00	11.00
				Intermediate	475	16.80	8.60		16.40
				Low	475	13.70	9.30		27.30
HMCG22B241S	TM9V040A10MP12C	17.5	XAH/XAHB24B	High	775	23.00	16.40	16.00	10.50
				Intermediate	500	16.20	8.60		15.45
				Low	500	13.70	9.30		26.10
HMCG22B241S	TM9E100C16MP12	21.0	XAF/XAFC30C	High	725	23.60	16.70	16.50	11.50
				Intermediate	625	17.40	10.50		16.20
				Low	625	14.00	11.10		25.80
HMCG22B241S	TM9E080B12MP12	17.5	XAF/XAFB24B	High	775	23.20	16.60	15.50	11.00
				Intermediate	675	17.00	10.80		15.35
				Low	675	14.10	11.40		24.55
HMCG22B241S	TM9E060A10MP12	17.5	XAH/XAHB24B	High	725	23.00	16.00	15.50	10.50
				Intermediate	600	16.60	9.80		15.25
				Low	600	13.90	10.50		24.70

Table 6: Furnace capacity - 2 ton

Outdoor unit model	Furnace model	Furnace width (in.)	Indoor coil model	Stage	Rated CFM	Net cool (MBH)	Sens cool (MBH)	SEER2	EER2
HMCG22B241S	TM9E040A10MP12	17.5	XAH/XAHB24B	High	750	23.00	16.20	16.00	10.50
				Intermediate	575	16.60	9.60		15.35
				Low	575	13.90	10.20		25.20
HMCG22B241S	TM9E026A08MP12	17.5	XAH/XAHB24B	High	750	23.00	16.20	16.50	10.50
				Intermediate	500	16.30	8.60		15.70
				Low	500	13.80	9.30		26.90
HMCG22B241S	TM8Y100C16MP11	21.0	XAF/XAFC30C	High	775	23.80	17.20	17.00	11.50
				Intermediate	650	17.60	10.80		16.70
				Low	650	14.20	11.40		27.25
HMCG22B241S	TM8Y080B12MP11	17.5	XAF/XAF/XAUB30C	High	675	23.40	16.20	17.00	11.50
				Intermediate	575	17.20	9.90		16.35
				Low	575	13.90	10.40		26.55
HMCG22B241S	TM8Y060A12MP11	17.5	XAF/XAFB24B	High	775	23.20	16.60	16.50	11.00
				Intermediate	600	16.80	9.90		15.80
				Low	600	14.00	10.50		26.45
HMCG22B241S	TM8V080B12MP12C	17.5	XAF/XAF/XAUB30C	High	725	23.40	16.50	17.00	11.00
				Intermediate	500	16.90	8.90		16.35
				Low	500	13.80	9.60		27.05
HMCG22B241S	TPLC080B12MP13C	17.5	XAF/XAF/XAUB30C	High	725	23.40	16.50	17.00	11.00
				Intermediate	500	16.90	8.90		16.35
				Low	500	13.80	9.60		27.05
HMCG22B241S	YPLC080B12MP13C	17.5	XAF/XAF/XAUB30C	High	725	23.40	16.50	17.00	11.00
				Intermediate	500	16.90	8.90		16.35
				Low	500	13.80	9.60		27.05
HMCG22B241S	TM8E100B12MP11	21.0	XAH/XAHC30C	High	750	23.60	16.90	17.00	11.50
				Intermediate	600	17.30	10.10		16.40
				Low	600	14.00	10.80		26.55
HMCG22B241S	TMLE100B12MP11	21.0	XAH/XAHC30C	High	750	23.60	16.90	17.00	11.50
				Intermediate	600	17.30	10.10		16.40
				Low	600	14.00	10.80		26.55
HMCG22B241S	TM8E080C16MP11	21.0	XAH/XAHC30C	High	725	23.60	16.70	16.50	11.50
				Intermediate	650	17.50	10.80		16.25
				Low	650	14.10	11.40		25.85
HMCG22B241S	TMLE080C16MP11	21.0	XAH/XAHC30C	High	725	23.60	16.70	16.50	11.50
				Intermediate	650	17.50	10.80		16.25
				Low	650	14.10	11.40		25.85
HMCG22B241S	TM8E080B12MP11	17.5	XAF/XAFB24B	High	725	23.20	16.20	16.00	11.00
				Intermediate	625	16.80	10.20		15.55
				Low	625	14.00	10.80		25.40
HMCG22B241S	TMLE080B12MP11	17.5	XAF/XAFB24B	High	725	23.20	16.20	16.00	11.00
				Intermediate	625	16.80	10.20		15.55
				Low	625	14.00	10.80		25.40
HMCG22B241S	TM8E060A12MP11	14.5	XAF/XAF/XAUA24B	High	700	23.20	16.10	15.50	11.00
				Intermediate	625	16.80	10.20		15.35
				Low	625	14.00	10.80		24.85
HMCG22B241S	TMLE060A12MP11	14.5	XAF/XAF/XAUA24B	High	700	23.20	16.10	15.50	11.00
				Intermediate	625	16.80	10.20		15.35
				Low	625	14.00	10.80		24.85
HMCG22B241S	TM8E040A12MP11	14.5	XAF/XAF/XAUA24B	High	700	23.20	16.10	16.00	11.00
				Intermediate	550	16.50	9.30		15.60
				Low	550	13.90	9.90		26.10
HMCG22B241S	TMLE040A12MP11	14.5	XAF/XAF/XAUA24B	High	700	23.20	16.10	16.00	11.00
				Intermediate	550	16.50	9.30		15.60
				Low	550	13.90	9.90		26.10
HMCG22B241S	TL9E060B12UH11	17.5	XAF/XAFB24B	High	725	23.20	16.20	16.00	11.00
				Intermediate	575	16.60	9.60		15.60
				Low	575	13.90	10.20		26.00
HMCG22B241S	TL8E060A12UH11	14.5	XAF/XAF/XAUA24B	High	675	23.00	15.70	16.00	11.00
				Intermediate	550	16.50	9.30		15.60
				Low	550	13.90	9.90		26.10
HMCG22B241S	TM9Y080B12MP11	21.0	XAH/XAHC30C	High	750	23.60	16.90	16.50	11.00
				Intermediate	625	17.40	10.50		16.30
				Low	625	14.00	11.00		26.20

Table 6: Furnace capacity - 2 ton

Outdoor unit model	Furnace model	Furnace width (in.)	Indoor coil model	Stage	Rated CFM	Net cool (MBH)	Sens cool (MBH)	SEER2	EER2
HMCG22B241S	TM9Y060B12MP11	21.0	XAH/XAHC30C	High	725	23.60	16.70	16.50	11.00
				Intermediate	600	17.30	10.20		16.20
				Low	600	14.00	10.80		26.00
HMCG22B241S	TM9Y040A10MP11	17.5	XAH/XAHB30C	High	675	23.20	16.00	16.50	10.50
				Intermediate	500	16.80	8.90		16.15
				Low	500	13.70	9.50		26.40
HMCG22B241S	TM9V080B12MP12C	21.0	XAH/XAHC30C	High	750	23.60	16.90	17.00	11.00
				Intermediate	525	17.00	9.20		16.55
				Low	525	13.90	9.90		27.45
HMCG22B241S	TP9C080B12MP13C	21.0	XAH/XAHC30C	High	750	23.60	16.90	17.00	11.00
				Intermediate	525	17.00	9.20		16.55
				Low	525	13.90	9.90		27.45
HMCG22B241S	YP9C080B12MP13C	21.0	XAH/XAHC30C	High	750	23.60	16.90	17.00	11.00
				Intermediate	525	17.00	9.20		16.55
				Low	525	13.90	9.90		27.45
HMCG22B241S	TM9V060B12MP12C	21.0	XAH/XAHC30C	High	700	23.40	16.30	17.00	11.00
				Intermediate	475	16.80	8.60		16.40
				Low	475	13.70	9.20		27.45
HMCG22B241S	TP9C060B12MP13C	21.0	XAH/XAHC30C	High	700	23.40	16.30	17.00	11.00
				Intermediate	475	16.80	8.60		16.40
				Low	475	13.70	9.20		27.45
HMCG22B241S	YP9C060B12MP13C	21.0	XAH/XAHC30C	High	700	23.40	16.30	17.00	11.00
				Intermediate	475	16.80	8.60		16.40
				Low	475	13.70	9.20		27.45
HMCG22B241S	TM9V040A10MP12C	17.5	XAH/XAHB30C	High	775	23.40	16.80	16.50	10.50
				Intermediate	500	16.80	8.90		16.20
				Low	500	13.70	9.50		26.55
HMCG22B241S	TM9E100C16MP12	21.0	XAH/XAHC30C	High	725	23.60	16.70	16.50	11.50
				Intermediate	625	17.40	10.50		16.15
				Low	625	14.00	11.10		25.70
HMCG22B241S	TM9E080B12MP12	17.5	XAH/XAHB24B	High	775	23.20	16.60	15.50	11.00
				Intermediate	675	17.00	10.80		15.30
				Low	675	14.10	11.40		24.45
HMCG22B241S	TM9E060A10MP12	17.5	XAH/XAHB30C	High	725	23.40	16.50	16.00	11.00
				Intermediate	600	17.20	10.10		15.95
				Low	600	13.90	10.80		25.30
HMCG22B241S	TM9E040A10MP12	17.5	XAH/XAHB30C	High	750	23.40	16.70	16.50	11.00
				Intermediate	575	17.10	9.80		16.10
				Low	575	13.90	10.50		25.75
HMCG22B241S	TM9E026A08MP12	17.5	XAH/XAHB30C	High	750	23.40	16.70	17.00	10.50
				Intermediate	500	16.90	8.90		16.50
				Low	500	13.80	9.60		27.40
HMCG22B241S	TM8Y100C16MP11	21.0	XAH/XAHC30C	High	775	23.80	17.20	17.00	11.50
				Intermediate	650	17.60	10.80		16.70
				Low	650	14.20	11.40		27.10
HMCG22B241S	TM8Y080C16MP11	21.0	XAH/XAHC30C	High	775	23.80	17.20	17.00	11.50
				Intermediate	650	17.60	10.80		16.70
				Low	650	14.20	11.40		27.10
HMCG22B241S	TM8Y080B12MP11	21.0	XAF/XAFC30C	High	675	23.40	16.20	17.00	11.50
				Intermediate	575	17.20	9.90		16.30
				Low	575	13.90	10.40		26.45
HMCG22B241S	TM8Y060A12MP11	17.5	XAF/XAF/XAUB30C	High	650	23.40	16.00	17.00	11.50
				Intermediate	575	17.20	9.90		16.30
				Low	575	13.90	10.40		26.45
HMCG22B241S	TM8V080B12MP12C	21.0	XAF/XAFC30C	High	725	23.40	16.50	17.00	11.00
				Intermediate	500	16.90	8.90		16.35
				Low	500	13.80	9.60		27.05
HMCG22B241S	TPLC080B12MP13C	21.0	XAF/XAFC30C	High	725	23.40	16.50	17.00	11.00
				Intermediate	500	16.90	8.90		16.35
				Low	500	13.80	9.60		27.05
HMCG22B241S	YPLC080B12MP13C	21.0	XAF/XAFC30C	High	725	23.40	16.50	17.00	11.00
				Intermediate	500	16.90	8.90		16.35
				Low	500	13.80	9.60		27.05

Table 6: Furnace capacity - 2 ton

Outdoor unit model	Furnace model	Furnace width (in.)	Indoor coil model	Stage	Rated CFM	Net cool (MBH)	Sens cool (MBH)	SEER2	EER2
HMCG22B241S	TM8E100C16MP11	21.0	XAF/XAFC30C	High	700	23.60	16.50	16.50	11.50
				Intermediate	625	17.40	10.50		16.25
				Low	625	14.00	11.00		26.05
HMCG22B241S	TMLE100C16MP11	21.0	XAF/XAFC30C	High	700	23.60	16.50	16.50	11.50
				Intermediate	625	17.40	10.50		16.25
				Low	625	14.00	11.00		26.05
HMCG22B241S	TM8E100B12MP11	17.5	XAF/XAFB24B	High	750	23.20	16.40	16.00	11.00
				Intermediate	600	16.70	9.90		15.65
				Low	600	14.00	10.50		25.95
HMCG22B241S	TMLE100B12MP11	17.5	XAF/XAFB24B	High	750	23.20	16.40	16.00	11.00
				Intermediate	600	16.70	9.90		15.65
				Low	600	14.00	10.50		25.95
HMCG22B241S	TM8E080B12MP11	17.5	XAF/XAF/XAUB30C	High	750	23.60	16.90	16.50	11.50
				Intermediate	625	17.40	10.50		16.30
				Low	625	14.00	11.00		26.10
HMCG22B241S	TMLE080B12MP11	17.5	XAF/XAF/XAUB30C	High	750	23.60	16.90	16.50	11.50
				Intermediate	625	17.40	10.50		16.30
				Low	625	14.00	11.00		26.10
HMCG22B241S	TM8E060A12MP11	17.5	XAF/XAFB24B	High	725	23.20	16.20	16.00	11.00
				Intermediate	625	16.80	10.20		15.45
				Low	625	14.00	10.80		25.15
HMCG22B241S	TMLE060A12MP11	17.5	XAF/XAFB24B	High	725	23.20	16.20	16.00	11.00
				Intermediate	625	16.80	10.20		15.45
				Low	625	14.00	10.80		25.15
HMCG22B241S	TM8E040A12MP11	17.5	XAF/XAFB24B	High	725	23.20	16.20	16.50	11.00
				Intermediate	575	16.60	9.50		15.80
				Low	575	13.90	10.10		26.50
HMCG22B241S	TMLE040A12MP11	17.5	XAF/XAFB24B	High	725	23.20	16.20	16.50	11.00
				Intermediate	575	16.60	9.50		15.80
				Low	575	13.90	10.10		26.50
HMCG22B241S	TL9E060B12UH11	17.5	XAF/XAF/XAUB30C	High	725	23.60	16.70	17.00	11.00
				Intermediate	575	17.20	9.90		16.35
				Low	575	13.90	10.40		26.65
HMCG22B241S	TL8E060A12UH11	17.5	XAF/XAFB24B	High	700	23.20	16.10	16.50	11.00
				Intermediate	575	16.60	9.50		15.75
				Low	575	13.90	10.10		26.45

Furnace capacity - 3 ton

Table 7: Furnace capacity - 3 ton

Outdoor unit model	Furnace model	Furnace width (in.)	Indoor coil model	Stage	Rated CFM	Net cool (MBH)	Sens cool (MBH)	SEER2	EER2
HMCG22B361S	TM9Y100C16MP11	21.0	X AFC30C	High	1150	35.40	25.20	16.50	10.00
				Intermediate	650	23.60	13.40		16.00
				Low	650	18.90	12.70		28.25
HMCG22B361S	TM9Y080B12MP11	21.0	XAF/XAFC36D	High	1150	35.60	25.40	17.00	10.00
				Intermediate	700	23.80	13.50		16.10
				Low	700	19.00	13.20		28.35
HMCG22B361S	TM9Y060B12MP11	21.0	XAF/XAFC36D	High	1000	35.60	24.20	17.00	10.50
				Intermediate	750	24.00	13.70		15.95
				Low	750	19.00	13.70		27.65
HMCG22B361S	TM9V100C20MP12C	24.5	XAF/XAFD48F	High	1175	35.60	25.60	17.00	10.00
				Intermediate	700	23.80	13.50		16.10
				Low	700	19.00	13.20		28.45
HMCG22B361S	TP9C100C20MP13C	24.5	XAF/XAFD48F	High	1175	35.60	25.60	17.00	10.00
				Intermediate	700	23.80	13.50		16.10
				Low	700	19.00	13.20		28.45
HMCG22B361S	YP9C100C20MP13C	24.5	XAF/XAFD48F	High	1175	35.60	25.60	17.00	10.00
				Intermediate	700	23.80	13.50		16.10
				Low	700	19.00	13.20		28.45
HMCG22B361S	TM9V080C16MP12C	24.5	XAF/XAFD48F	High	1225	35.80	26.20	16.50	10.00
				Intermediate	800	24.20	13.90		15.90
				Low	800	19.10	14.30		27.15
HMCG22B361S	TP9C080C16MP13C	24.5	XAF/XAFD48F	High	1225	35.80	26.20	16.50	10.00
				Intermediate	800	24.20	13.90		15.90
				Low	800	19.10	14.30		27.15
HMCG22B361S	YP9C080C16MP13C	24.5	XAF/XAFD48F	High	1225	35.80	26.20	16.50	10.00
				Intermediate	800	24.20	13.90		15.90
				Low	800	19.10	14.30		27.15
HMCG22B361S	TM9V080B12MP12C	21.0	X AFC30C	High	1050	35.80	24.80	17.00	10.50
				Intermediate	750	24.00	13.70		16.05
				Low	750	19.10	13.80		27.95
HMCG22B361S	TP9C080B12MP13C	21.0	X AFC30C	High	1050	35.80	24.80	17.00	10.50
				Intermediate	750	24.00	13.70		16.05
				Low	750	19.10	13.80		27.95
HMCG22B361S	YP9C080B12MP13C	21.0	X AFC30C	High	1050	35.80	24.80	17.00	10.50
				Intermediate	750	24.00	13.70		16.05
				Low	750	19.10	13.80		27.95
HMCG22B361S	TM9V060B12MP12C	21.0	X AFC30C	High	1100	35.80	25.20	17.00	10.50
				Intermediate	725	24.00	13.50		16.25
				Low	725	19.10	13.50		28.75
HMCG22B361S	TP9C060B12MP13C	21.0	X AFC30C	High	1100	35.80	25.20	17.00	10.50
				Intermediate	725	24.00	13.50		16.25
				Low	725	19.10	13.50		28.75
HMCG22B361S	YP9C060B12MP13C	21.0	X AFC30C	High	1100	35.80	25.20	17.00	10.50
				Intermediate	725	24.00	13.50		16.25
				Low	725	19.10	13.50		28.75
HMCG22B361S	TM9V040A10MP12C	17.5	XAF/XAFB36E	High	1075	36.00	25.20	16.50	10.50
				Intermediate	925	24.60	14.20		15.85
				Low	925	19.30	15.60		26.30
HMCG22B361S	TM9E100C16MP12	21.0	XAF/XAFC36D	High	1050	35.80	24.80	17.00	10.50
				Intermediate	800	24.20	13.80		16.05
				Low	800	19.20	14.30		27.60
HMCG22B361S	TM9E080B12MP12	21.0	XAF/XAFC36D	High	1125	34.20	25.00	16.50	9.80
				Intermediate	725	23.60	13.00		15.65
				Low	725	18.90	13.90		27.45
HMCG22B361S	TM9E060B12MP12	21.0	XAF/XAFC36D	High	1175	34.40	25.60	17.00	10.00
				Intermediate	725	23.60	12.90		15.95
				Low	725	18.90	13.80		28.40
HMCG22B361S	TM9E060A10MP12	17.5	XAF/XAUB30C	High	1075	34.40	24.80	16.50	10.00
				Intermediate	750	23.60	13.20		15.85
				Low	750	18.90	14.10		27.95

Table 7: Furnace capacity - 3 ton

Outdoor unit model	Furnace model	Furnace width (in.)	Indoor coil model	Stage	Rated CFM	Net cool (MBH)	Sens cool (MBH)	SEER2	EER2
HMCG22B361S	TM8Y100C20MP11	24.5	XAF/XAFD48F	High	1025	34.40	24.60	16.00	10.00
				Intermediate	900	24.00	15.00		15.40
				Low	900	19.00	15.80		26.00
HMCG22B361S	TM8Y080B12MP11	21.0	XAF/XAFC36D	High	1075	34.60	25.00	17.00	10.50
				Intermediate	725	23.60	12.90		15.90
				Low	725	18.90	13.80		28.30
HMCG22B361S	TM8Y060A12MP11	17.5	XAF/XAUB30C	High	1150	34.80	25.80	17.00	10.00
				Intermediate	775	23.80	13.50		16.05
				Low	775	19.00	14.40		28.70
HMCG22B361S	TM8V100C16MP12C	21.0	XAFC30C	High	1100	34.60	25.20	16.50	10.50
				Intermediate	825	24.00	14.20		15.85
				Low	825	19.00	14.90		27.80
HMCG22B361S	TM8V080C16MP12C	21.0	XAFC30C	High	1100	34.60	25.20	16.50	10.50
				Intermediate	825	24.00	14.20		15.85
				Low	825	19.00	14.90		27.80
HMCG22B361S	TMLV100C16MP12C	21.0	XAFC30C	High	1100	34.60	25.20	16.50	10.50
				Intermediate	825	24.00	14.20		15.85
				Low	825	19.00	14.90		27.80
HMCG22B361S	TPLC080C16MP13C	21.0	XAFC30C	High	1100	34.60	25.20	16.50	10.50
				Intermediate	825	24.00	14.20		15.85
				Low	825	19.00	14.90		27.80
HMCG22B361S	TPLC100C16MP13C	21.0	XAFC30C	High	1100	34.60	25.20	16.50	10.50
				Intermediate	825	24.00	14.20		15.85
				Low	825	19.00	14.90		27.80
HMCG22B361S	YPLC080C16MP13C	21.0	XAFC30C	High	1100	34.60	25.20	16.50	10.50
				Intermediate	825	24.00	14.20		15.85
				Low	825	19.00	14.90		27.80
HMCG22B361S	YPLC100C16MP13C	21.0	XAFC30C	High	1100	34.60	25.20	16.50	10.50
				Intermediate	825	24.00	14.20		15.85
				Low	825	19.00	14.90		27.80
HMCG22B361S	TM8E120C16MP11	21.0	XAF/XAF/XAUC48F	High	1125	35.80	25.80	17.50	10.50
				Intermediate	625	23.80	11.80		16.40
				Low	625	18.80	12.50		29.65
HMCG22B361S	TMLE120C16MP11	21.0	XAF/XAF/XAUC48F	High	1125	35.80	25.80	17.50	10.50
				Intermediate	625	23.80	11.80		16.40
				Low	625	18.80	12.50		29.65
HMCG22B361S	TM8E100C16MP11	21.0	XAF/XAFC36D	High	1075	35.60	25.20	17.00	10.50
				Intermediate	725	24.20	13.00		16.35
				Low	725	19.00	13.60		28.85
HMCG22B361S	TMLE100C16MP11	21.0	XAF/XAFC36D	High	1075	35.60	25.20	17.00	10.50
				Intermediate	725	24.20	13.00		16.35
				Low	725	19.00	13.60		28.85
HMCG22B361S	TM8E100B12MP11	17.5	XAF/XAUB30C	High	1200	36.00	26.40	17.00	10.50
				Intermediate	1000	25.40	16.40		16.35
				Low	1000	19.50	16.50		27.35
HMCG22B361S	TMLE100B12MP11	17.5	XAF/XAUB30C	High	1200	36.00	26.40	17.00	10.50
				Intermediate	1000	25.40	16.40		16.35
				Low	1000	19.50	16.50		27.35
HMCG22B361S	TM8E080B12MP11	21.0	XAF/XAF/XAUC48F	High	1100	35.80	25.60	17.50	10.50
				Intermediate	825	24.60	14.20		16.45
				Low	825	19.20	14.60		28.55
HMCG22B361S	TMLE080B12MP11	21.0	XAF/XAF/XAUC48F	High	1100	35.80	25.60	17.50	10.50
				Intermediate	825	24.60	14.20		16.45
				Low	825	19.20	14.60		28.55
HMCG22B361S	TM8E060A12MP11	17.5	XAF/XAF/XAUB36D	High	1250	36.00	26.80	17.00	10.00
				Intermediate	925	25.00	15.50		16.25
				Low	925	19.30	15.70		27.30
HMCG22B361S	TMLE060A12MP11	17.5	XAF/XAF/XAUB36D	High	1250	36.00	26.80	17.00	10.00
				Intermediate	925	25.00	15.50		16.25
				Low	925	19.30	15.70		27.30
HMCG22B361S	TM8E040A12MP11	17.5	XAF/XAFB36E	High	1000	35.60	24.60	17.00	10.50
				Intermediate	700	24.00	12.70		16.30
				Low	700	18.90	13.30		28.80

Table 7: Furnace capacity - 3 ton

Outdoor unit model	Furnace model	Furnace width (in.)	Indoor coil model	Stage	Rated CFM	Net cool (MBH)	Sens cool (MBH)	SEER2	EER2
HMCG22B361S	TMLE040A12MP11	17.5	XAF/XAFB36E	High	1000	35.60	24.60	17.00	10.50
				Intermediate	700	24.00	12.70		16.30
				Low	700	18.90	13.30		28.80
HMCG22B361S	TL9E080C16UH11	21.0	XAF/XAF/XAUC48F	High	1075	35.60	25.20	17.00	10.50
				Intermediate	775	24.40	13.60		16.35
				Low	775	19.10	14.10		28.55
HMCG22B361S	TL9E060B12UH11	17.5	XAF/XAUB30C	High	1100	35.80	25.60	17.00	10.50
				Intermediate	950	25.20	15.80		16.25
				Low	950	19.40	16.00		27.20
HMCG22B361S	TL8E080C16UH11	24.5	XAF/XAFD48F	High	1075	35.80	25.40	17.00	10.50
				Intermediate	825	24.60	14.20		16.35
				Low	825	19.20	14.70		28.30
HMCG22B361S	TL8E060A12UH11	17.5	XAF/XAFB36E	High	1000	36.00	24.60	17.50	11.00
				Intermediate	675	23.80	13.40		16.40
				Low	675	19.00	12.90		29.55
HMCG22B361S	TM9Y080C16MP11	21.0	XAF/XAF/XAUC48F	High	1075	35.60	24.80	16.50	10.50
				Intermediate	725	23.80	13.50		15.95
				Low	725	19.00	13.50		27.65
HMCG22B361S	TM9Y080B12MP11	17.5	XAF/XAF/XAUB36D	High	1000	35.40	24.00	16.50	10.50
				Intermediate	675	23.60	13.40		15.75
				Low	675	18.90	13.00		27.30
HMCG22B361S	TM9Y060B12MP11	17.5	XAF/XAF/XAUB36D	High	1000	35.60	24.20	17.00	10.50
				Intermediate	775	24.00	13.70		15.95
				Low	775	19.10	14.00		27.45
HMCG22B361S	TM9V100C16MP12C	24.5	XAF/XAFD48F	High	1225	35.80	26.20	16.00	10.00
				Intermediate	975	24.80	14.40		15.70
				Low	975	19.40	16.10		25.55
HMCG22B361S	TP9C100C16MP13C	24.5	XAF/XAFD48F	High	1225	35.80	26.20	16.00	10.00
				Intermediate	975	24.80	14.40		15.70
				Low	975	19.40	16.10		25.55
HMCG22B361S	YP9C100C16MP13C	24.5	XAF/XAFD48F	High	1225	35.80	26.20	16.00	10.00
				Intermediate	975	24.80	14.40		15.70
				Low	975	19.40	16.10		25.55
HMCG22B361S	TM9V080C16MP12C	21.0	XAF/XAFC36D	High	1100	35.60	25.00	16.50	10.50
				Intermediate	725	23.80	13.50		15.95
				Low	725	19.00	13.50		27.65
HMCG22B361S	TP9C080C16MP13C	21.0	XAF/XAFC36D	High	1100	35.60	25.00	16.50	10.50
				Intermediate	725	23.80	13.50		15.95
				Low	725	19.00	13.50		27.65
HMCG22B361S	YP9C080C16MP13C	21.0	XAF/XAFC36D	High	1100	35.60	25.00	16.50	10.50
				Intermediate	725	23.80	13.50		15.95
				Low	725	19.00	13.50		27.65
HMCG22B361S	TM9V080B12MP12C	17.5	XAF/XAUB30C	High	1200	35.60	25.80	16.50	10.00
				Intermediate	825	24.20	13.90		15.90
				Low	825	19.20	14.60		26.90
HMCG22B361S	TP9C080B12MP13C	17.5	XAF/XAUB30C	High	1200	35.60	25.80	16.50	10.00
				Intermediate	825	24.20	13.90		15.90
				Low	825	19.20	14.60		26.90
HMCG22B361S	YP9C080B12MP13C	17.5	XAF/XAUB30C	High	1200	35.60	25.80	16.50	10.00
				Intermediate	825	24.20	13.90		15.90
				Low	825	19.20	14.60		26.90
HMCG22B361S	TM9V060B12MP12C	17.5	XAF/XAUB30C	High	1275	36.00	26.80	17.00	10.00
				Intermediate	850	24.40	14.00		16.05
				Low	850	19.30	14.90		27.40
HMCG22B361S	TP9C060B12MP13C	17.5	XAF/XAUB30C	High	1275	36.00	26.80	17.00	10.00
				Intermediate	850	24.40	14.00		16.05
				Low	850	19.30	14.90		27.40
HMCG22B361S	YP9C060B12MP13C	17.5	XAF/XAUB30C	High	1275	36.00	26.80	17.00	10.00
				Intermediate	850	24.40	14.00		16.05
				Low	850	19.30	14.90		27.40
HMCG22B361S	TM9E100C20MP12	21.0	XAF/XAF/XAUC48F	High	1075	36.00	25.20	17.00	10.50
				Intermediate	800	24.20	13.80		16.10
				Low	800	19.20	14.30		27.80

Table 7: Furnace capacity - 3 ton

Outdoor unit model	Furnace model	Furnace width (in.)	Indoor coil model	Stage	Rated CFM	Net cool (MBH)	Sens cool (MBH)	SEER2	EER2
HMCG22B361S	TM9E080C16MP12	24.5	XAF/XAFD48F	High	1025	35.60	24.40	16.50	10.50
				Intermediate	700	23.60	13.40		15.80
				Low	700	18.90	13.20		27.30
HMCG22B361S	TM9E080B12MP12	17.5	XAF/XAF/XAUB36D	High	1225	34.40	26.00	15.50	9.80
				Intermediate	975	24.20	15.90		15.15
				Low	975	19.00	16.60		24.85
HMCG22B361S	TM9E060B12MP12	17.5	XAF/XAF/XAUB36D	High	1150	34.40	25.40	16.50	10.00
				Intermediate	700	23.60	12.70		15.85
				Low	700	18.90	13.60		28.20
HMCG22B361S	TM9E060A10MP12	17.5	XAF/XAFB36E	High	1025	34.40	24.60	16.50	10.00
				Intermediate	775	23.80	13.60		15.75
				Low	775	19.00	14.50		27.65
HMCG22B361S	TM8Y100C16MP11	21.0	XAF/XAF/XAUC48F	High	1050	34.40	24.80	17.00	10.00
				Intermediate	725	23.60	12.90		15.90
				Low	725	18.90	13.80		28.30
HMCG22B361S	TM8Y080C16MP11	21.0	XAF/XAF/XAUC48F	High	1050	34.40	24.80	17.00	10.00
				Intermediate	725	23.60	12.90		15.90
				Low	725	18.90	13.80		28.30
HMCG22B361S	TM8Y080B12MP11	17.5	XAF/XAF/XAUB36D	High	1050	34.40	24.80	16.50	10.50
				Intermediate	800	23.80	13.80		15.80
				Low	800	19.00	14.70		27.60
HMCG22B361S	TM8Y060A12MP11	17.5	XAF/XAFB36E	High	1175	34.40	25.60	17.00	10.00
				Intermediate	725	23.60	12.90		15.95
				Low	725	18.90	13.80		28.40
HMCG22B361S	TM8V080B12MP12C	21.0	XAF/XAFC36D	High	1025	34.40	24.60	16.50	10.00
				Intermediate	775	23.80	13.60		15.75
				Low	775	19.00	14.50		27.65
HMCG22B361S	TPLC080B12MP13C	21.0	XAF/XAFC36D	High	1025	34.40	24.60	16.50	10.00
				Intermediate	775	23.80	13.60		15.75
				Low	775	19.00	14.50		27.65
HMCG22B361S	YPLC080B12MP13C	21.0	XAF/XAFC36D	High	1025	34.40	24.60	16.50	10.00
				Intermediate	775	23.80	13.60		15.75
				Low	775	19.00	14.50		27.65
HMCG22B361S	TM8E120C16MP11	21.0	XAFC30C	High	1150	35.60	25.80	17.00	10.00
				Intermediate	750	24.20	13.30		16.25
				Low	750	19.00	13.80		28.30
HMCG22B361S	TMLE120C16MP11	21.0	XAFC30C	High	1150	35.60	25.80	17.00	10.00
				Intermediate	750	24.20	13.30		16.25
				Low	750	19.00	13.80		28.30
HMCG22B361S	TM8E100B12MP11	21.0	XAF/XAF/XAUC48F	High	1050	35.40	24.80	17.00	10.50
				Intermediate	725	24.20	13.10		16.20
				Low	725	19.00	13.60		28.25
HMCG22B361S	TMLE100B12MP11	21.0	XAF/XAF/XAUC48F	High	1050	35.40	24.80	17.00	10.50
				Intermediate	725	24.20	13.10		16.20
				Low	725	19.00	13.60		28.25
HMCG22B361S	TM8E080C16MP11	24.5	XAF/XAFD48F	High	1125	35.80	25.80	17.50	10.50
				Intermediate	750	24.40	13.40		16.55
				Low	750	19.10	13.80		29.40
HMCG22B361S	TMLE080C16MP11	24.5	XAF/XAFD48F	High	1125	35.80	25.80	17.50	10.50
				Intermediate	750	24.40	13.40		16.55
				Low	750	19.10	13.80		29.40
HMCG22B361S	TM8E080B12MP11	21.0	XAFC30C	High	1225	35.80	26.40	17.00	10.50
				Intermediate	775	24.40	13.60		16.45
				Low	775	19.10	14.10		28.80
HMCG22B361S	TMLE080B12MP11	21.0	XAFC30C	High	1225	35.80	26.40	17.00	10.50
				Intermediate	775	24.40	13.60		16.45
				Low	775	19.10	14.10		28.80
HMCG22B361S	TM8E060A12MP11	17.5	XAF/XAFB36E	High	1225	36.00	26.60	17.00	10.50
				Intermediate	975	25.40	16.20		16.45
				Low	975	19.50	16.30		27.90
HMCG22B361S	TMLE060A12MP11	17.5	XAF/XAFB36E	High	1225	36.00	26.60	17.00	10.50
				Intermediate	975	25.40	16.20		16.45
				Low	975	19.50	16.30		27.90

Table 7: Furnace capacity - 3 ton

Outdoor unit model	Furnace model	Furnace width (in.)	Indoor coil model	Stage	Rated CFM	Net cool (MBH)	Sens cool (MBH)	SEER2	EER2
HMCG22B361S	TL9E100C20UH11	21.0	XAF/XAF/XAUC48F	High	1300	36.00	27.20	17.00	10.00
				Intermediate	875	24.80	14.90		16.20
				Low	875	19.20	15.20		27.40
HMCG22B361S	TL9E080C16UH11	21.0	X AFC30C	High	1150	35.80	26.00	17.50	10.50
				Intermediate	775	24.40	13.60		16.60
				Low	775	19.10	14.10		29.35
HMCG22B361S	TL8E100C20UH11	24.5	XAF/XAFD48F	High	1300	36.00	27.20	17.00	10.50
				Intermediate	850	24.80	14.60		16.55
				Low	850	19.30	14.90		28.85
HMCG22B361S	TL8E080C16UH11	21.0	XAF/X AFC36D	High	1075	35.60	25.20	17.00	10.50
				Intermediate	900	24.80	15.10		16.15
				Low	900	19.20	15.40		27.05
HMCG22B361S	TM9Y080C16MP11	24.5	XAF/XAFD48F	High	1100	35.40	24.80	16.50	10.00
				Intermediate	700	23.60	13.40		15.85
				Low	700	18.90	13.20		27.45
HMCG22B361S	TM9Y080B12MP11	21.0	X AFC30C	High	1100	35.60	25.00	17.00	10.00
				Intermediate	675	23.60	13.30		16.00
				Low	675	18.90	12.90		28.20
HMCG22B361S	TM9Y060B12MP11	21.0	X AFC30C	High	1000	35.60	24.20	16.50	10.50
				Intermediate	825	24.20	13.90		15.85
				Low	825	19.10	14.50		26.70
HMCG22B361S	TM9V100C20MP12C	21.0	XAF/XAF/XAUC48F	High	1025	35.60	24.40	17.00	10.50
				Intermediate	675	23.60	13.30		16.05
				Low	675	18.90	12.90		28.35
HMCG22B361S	TP9C100C20MP13C	21.0	XAF/XAF/XAUC48F	High	1025	35.60	24.40	17.00	10.50
				Intermediate	675	23.60	13.30		16.05
				Low	675	18.90	12.90		28.35
HMCG22B361S	YP9C100C20MP13C	21.0	XAF/XAF/XAUC48F	High	1025	35.60	24.40	17.00	10.50
				Intermediate	675	23.60	13.30		16.05
				Low	675	18.90	12.90		28.35
HMCG22B361S	TM9V080C16MP12C	21.0	XAF/XAF/XAUC48F	High	1175	35.60	25.60	16.50	10.00
				Intermediate	775	24.00	13.70		15.90
				Low	775	19.10	14.00		27.20
HMCG22B361S	TP9C080C16MP13C	21.0	XAF/XAF/XAUC48F	High	1175	35.60	25.60	16.50	10.00
				Intermediate	775	24.00	13.70		15.90
				Low	775	19.10	14.00		27.20
HMCG22B361S	YP9C080C16MP13C	21.0	XAF/XAF/XAUC48F	High	1175	35.60	25.60	16.50	10.00
				Intermediate	775	24.00	13.70		15.90
				Low	775	19.10	14.00		27.20
HMCG22B361S	TM9V080B12MP12C	17.5	XAF/XAF/XAUB36D	High	1025	35.60	24.40	16.50	10.50
				Intermediate	800	24.00	13.70		15.80
				Low	800	19.10	14.30		26.75
HMCG22B361S	TP9C080B12MP13C	17.5	XAF/XAF/XAUB36D	High	1025	35.60	24.40	16.50	10.50
				Intermediate	800	24.00	13.70		15.80
				Low	800	19.10	14.30		26.75
HMCG22B361S	YP9C080B12MP13C	17.5	XAF/XAF/XAUB36D	High	1025	35.60	24.40	16.50	10.50
				Intermediate	800	24.00	13.70		15.80
				Low	800	19.10	14.30		26.75
HMCG22B361S	TM9V060B12MP12C	17.5	XAF/XAF/XAUB36D	High	1175	35.80	25.80	17.00	10.50
				Intermediate	700	23.80	13.50		16.10
				Low	700	19.00	13.20		28.45
HMCG22B361S	TP9C060B12MP13C	17.5	XAF/XAF/XAUB36D	High	1175	35.80	25.80	17.00	10.50
				Intermediate	700	23.80	13.50		16.10
				Low	700	19.00	13.20		28.45
HMCG22B361S	YP9C060B12MP13C	17.5	XAF/XAF/XAUB36D	High	1175	35.80	25.80	17.00	10.50
				Intermediate	700	23.80	13.50		16.10
				Low	700	19.00	13.20		28.45
HMCG22B361S	TM9E100C20MP12	24.5	XAF/XAFD48F	High	1250	36.00	26.60	16.50	10.50
				Intermediate	950	24.80	14.40		15.95
				Low	950	19.40	15.90		26.50
HMCG22B361S	TM9E100C16MP12	21.0	X AFC30C	High	1225	36.00	26.40	17.00	10.50
				Intermediate	825	24.20	13.80		16.15
				Low	825	19.20	14.50		27.85

Table 7: Furnace capacity - 3 ton

Outdoor unit model	Furnace model	Furnace width (in.)	Indoor coil model	Stage	Rated CFM	Net cool (MBH)	Sens cool (MBH)	SEER2	EER2
HMCG22B361S	TM9E080B12MP12	21.0	X AFC30C	High	1050	34.20	24.60	16.50	10.00
				Intermediate	725	23.60	13.00		15.75
				Low	725	18.90	13.90		27.75
HMCG22B361S	TM9E060B12MP12	21.0	X AFC30C	High	1150	34.40	25.40	16.00	10.00
				Intermediate	825	23.80	14.10		15.45
				Low	825	18.90	14.90		26.35
HMCG22B361S	TM9E060A10MP12	14.5	X AFA30D	High	1225	34.40	26.00	16.00	10.00
				Intermediate	925	24.20	15.40		15.35
				Low	925	19.00	16.10		25.65
HMCG22B361S	TM8Y100C16MP11	24.5	X AF/XAFD48F	High	1200	34.40	25.80	17.00	9.80
				Intermediate	750	23.80	13.30		15.95
				Low	750	19.00	14.20		28.40
HMCG22B361S	TM8Y080C16MP11	24.5	X AF/XAFD48F	High	1200	34.40	25.80	17.00	9.80
				Intermediate	750	23.80	13.30		15.95
				Low	750	19.00	14.20		28.40
HMCG22B361S	TM8Y080B12MP11	21.0	X AFC30C	High	1050	34.20	24.60	16.50	10.00
				Intermediate	725	23.60	13.00		15.75
				Low	725	18.90	13.90		27.70
HMCG22B361S	TM8Y060A12MP11	14.5	X AFA30D	High	1125	34.60	25.40	17.00	10.00
				Intermediate	750	23.80	13.30		16.05
				Low	750	19.00	14.10		28.80
HMCG22B361S	TM8V080B12MP12C	21.0	X AF/XAF/XAUC48F	High	1075	34.60	25.00	16.50	10.50
				Intermediate	825	24.00	14.20		15.80
				Low	825	19.00	14.90		27.65
HMCG22B361S	TPLC080B12MP13C	21.0	X AF/XAF/XAUC48F	High	1075	34.60	25.00	16.50	10.50
				Intermediate	825	24.00	14.20		15.80
				Low	825	19.00	14.90		27.65
HMCG22B361S	YPLC080B12MP13C	21.0	X AF/XAF/XAUC48F	High	1075	34.60	25.00	16.50	10.50
				Intermediate	825	24.00	14.20		15.80
				Low	825	19.00	14.90		27.65
HMCG22B361S	TM8E120C16MP11	21.0	X AF/X AFC36D	High	1125	35.60	25.60	17.00	10.50
				Intermediate	675	24.00	12.50		16.30
				Low	675	18.90	13.00		29.00
HMCG22B361S	TMLE120C16MP11	21.0	X AF/X AFC36D	High	1125	35.60	25.60	17.00	10.50
				Intermediate	675	24.00	12.50		16.30
				Low	675	18.90	13.00		29.00
HMCG22B361S	TM8E100C16MP11	21.0	X AFC30C	High	1075	35.40	25.00	17.00	10.50
				Intermediate	725	24.20	13.10		16.20
				Low	725	19.00	13.60		28.25
HMCG22B361S	TMLE100C16MP11	21.0	X AFC30C	High	1075	35.40	25.00	17.00	10.50
				Intermediate	725	24.20	13.10		16.20
				Low	725	19.00	13.60		28.25
HMCG22B361S	TM8E100B12MP11	17.5	X AF/X AFB36E	High	1150	35.80	26.00	17.50	10.50
				Intermediate	775	24.40	13.60		16.60
				Low	775	19.10	14.10		29.40
HMCG22B361S	TMLE100B12MP11	17.5	X AF/X AFB36E	High	1150	35.80	26.00	17.50	10.50
				Intermediate	775	24.40	13.60		16.60
				Low	775	19.10	14.10		29.40
HMCG22B361S	TM8E080B12MP11	21.0	X AF/X AFC36D	High	1075	35.60	25.20	17.50	10.50
				Intermediate	825	24.60	14.20		16.45
				Low	825	19.20	14.60		28.55
HMCG22B361S	TMLE080B12MP11	21.0	X AF/X AFC36D	High	1075	35.60	25.20	17.50	10.50
				Intermediate	825	24.60	14.20		16.45
				Low	825	19.20	14.60		28.55
HMCG22B361S	TM8E060A12MP11	17.5	X AF/X AUB30C	High	1100	35.80	25.60	17.00	10.50
				Intermediate	950	25.20	15.90		16.20
				Low	950	19.30	15.90		27.00
HMCG22B361S	TMLE060A12MP11	17.5	X AF/X AUB30C	High	1100	35.80	25.60	17.00	10.50
				Intermediate	950	25.20	15.90		16.20
				Low	950	19.30	15.90		27.00
HMCG22B361S	TL9E100C20UH11	24.5	X AF/XAFD48F	High	1225	35.80	26.40	17.00	10.00
				Intermediate	800	24.40	13.90		16.20
				Low	800	19.10	14.40		27.90

Table 7: Furnace capacity - 3 ton

Outdoor unit model	Furnace model	Furnace width (in.)	Indoor coil model	Stage	Rated CFM	Net cool (MBH)	Sens cool (MBH)	SEER2	EER2
HMCG22B361S	TL9E080C16UH11	21.0	XAF/XAFC36D	High	1200	36.00	26.40	17.00	10.50
				Intermediate	1025	25.60	16.80		16.45
				Low	1025	19.50	16.70		27.50
HMCG22B361S	TL9E060B12UH11	17.5	XAF/XAFB36E	High	1100	35.80	25.60	17.50	10.50
				Intermediate	825	24.60	14.20		16.45
				Low	825	19.20	14.60		28.55
HMCG22B361S	TL8E080C16UH11	21.0	XAF/XAF/XAUC48F	High	1275	36.00	27.00	17.50	10.50
				Intermediate	850	24.80	14.60		16.50
				Low	850	19.20	14.90		28.65
HMCG22B361S	TM9Y100C16MP11	24.5	XAF/XAFD48F	High	1050	35.40	24.40	16.50	10.00
				Intermediate	650	23.60	13.40		15.90
				Low	650	18.80	12.70		27.90
HMCG22B361S	TM9Y080C16MP11	21.0	XAF/XAFC36D	High	1200	35.60	25.80	16.50	10.00
				Intermediate	825	24.20	13.90		15.90
				Low	825	19.20	14.60		26.85
HMCG22B361S	TM9Y080B12MP11	17.5	XAF/XAUB30C	High	1100	35.40	24.80	16.50	10.00
				Intermediate	725	23.80	13.60		15.70
				Low	725	18.90	13.50		26.90
HMCG22B361S	TM9Y060B12MP11	17.5	XAF/XAUB30C	High	1000	35.80	24.40	17.00	10.50
				Intermediate	775	24.00	13.70		15.95
				Low	775	19.10	14.00		27.45
HMCG22B361S	TM9V100C16MP12C	21.0	XAF/XAF/XAUC48F	High	1100	35.80	25.20	17.00	10.50
				Intermediate	625	23.40	13.10		16.20
				Low	625	18.90	12.50		29.30
HMCG22B361S	TP9C100C16MP13C	21.0	XAF/XAF/XAUC48F	High	1100	35.80	25.20	17.00	10.50
				Intermediate	625	23.40	13.10		16.20
				Low	625	18.90	12.50		29.30
HMCG22B361S	YP9C100C16MP13C	21.0	XAF/XAF/XAUC48F	High	1100	35.80	25.20	17.00	10.50
				Intermediate	625	23.40	13.10		16.20
				Low	625	18.90	12.50		29.30
HMCG22B361S	TM9V080C16MP12C	21.0	XAFC30C	High	1075	35.60	24.80	17.00	10.50
				Intermediate	725	23.80	13.50		15.95
				Low	725	19.00	13.50		27.80
HMCG22B361S	TP9C080C16MP13C	21.0	XAFC30C	High	1075	35.60	24.80	17.00	10.50
				Intermediate	725	23.80	13.50		15.95
				Low	725	19.00	13.50		27.80
HMCG22B361S	YP9C080C16MP13C	21.0	XAFC30C	High	1075	35.60	24.80	17.00	10.50
				Intermediate	725	23.80	13.50		15.95
				Low	725	19.00	13.50		27.80
HMCG22B361S	TM9V080B12MP12C	17.5	XAF/XAFB36E	High	1175	36.00	26.00	16.50	10.50
				Intermediate	975	24.80	14.40		15.95
				Low	975	19.50	16.20		26.35
HMCG22B361S	TP9C080B12MP13C	17.5	XAF/XAFB36E	High	1175	36.00	26.00	16.50	10.50
				Intermediate	975	24.80	14.40		15.95
				Low	975	19.50	16.20		26.35
HMCG22B361S	YP9C080B12MP13C	17.5	XAF/XAFB36E	High	1175	36.00	26.00	16.50	10.50
				Intermediate	975	24.80	14.40		15.95
				Low	975	19.50	16.20		26.35
HMCG22B361S	TM9V060B12MP12C	17.5	XAF/XAFB36E	High	1050	35.80	24.80	17.00	10.50
				Intermediate	700	23.80	13.50		16.15
				Low	700	19.00	13.20		28.50
HMCG22B361S	TP9C060B12MP13C	17.5	XAF/XAFB36E	High	1050	35.80	24.80	17.00	10.50
				Intermediate	700	23.80	13.50		16.15
				Low	700	19.00	13.20		28.50
HMCG22B361S	YP9C060B12MP13C	17.5	XAF/XAFB36E	High	1050	35.80	24.80	17.00	10.50
				Intermediate	700	23.80	13.50		16.15
				Low	700	19.00	13.20		28.50
HMCG22B361S	TM9E100C20MP12	21.0	XAF/XAFC36D	High	1250	36.00	26.60	16.50	10.50
				Intermediate	825	24.20	13.80		16.20
				Low	825	19.20	14.50		28.00
HMCG22B361S	TM9E080C16MP12	21.0	XAF/XAF/XAUC48F	High	1025	35.60	24.40	16.50	10.50
				Intermediate	675	23.60	13.40		15.90
				Low	675	18.90	13.00		27.85

Table 7: Furnace capacity - 3 ton

Outdoor unit model	Furnace model	Furnace width (in.)	Indoor coil model	Stage	Rated CFM	Net cool (MBH)	Sens cool (MBH)	SEER2	EER2
HMCG22B361S	TM9E080B12MP12	17.5	XAF/XAUB30C	High	1050	34.40	24.80	16.50	10.00
				Intermediate	825	23.80	14.10		15.55
				Low	825	19.00	15.00		26.75
HMCG22B361S	TM9E060B12MP12	17.5	XAF/XAUB30C	High	1000	34.00	24.00	16.50	10.00
				Intermediate	675	23.40	12.40		15.60
				Low	675	18.80	13.30		27.40
HMCG22B361S	TM8Y120C20MP11	21.0	XAF/XAF/XAUC48F	High	1025	34.40	24.60	16.00	10.00
				Intermediate	900	24.00	15.00		15.40
				Low	900	19.00	15.80		25.90
HMCG22B361S	TM8Y100C20MP11	21.0	XAF/XAF/XAUC48F	High	1025	34.40	24.60	16.00	10.00
				Intermediate	900	24.00	15.00		15.40
				Low	900	19.00	15.80		25.90
HMCG22B361S	TM8Y080C16MP11	21.0	XAF/XAFC36D	High	1150	34.40	25.40	16.50	10.00
				Intermediate	750	23.60	13.20		15.75
				Low	750	18.90	14.10		27.65
HMCG22B361S	TM8Y080B12MP11	17.5	XAF/XAUB30C	High	1075	34.40	24.80	16.50	10.00
				Intermediate	775	23.80	13.60		15.85
				Low	775	19.00	14.40		27.90
HMCG22B361S	TM8V100C16MP12C	24.5	XAF/XAFD48F	High	1275	34.80	26.80	16.50	10.00
				Intermediate	850	24.00	14.40		15.85
				Low	850	19.10	15.30		27.60
HMCG22B361S	TM8V080C16MP12C	24.5	XAF/XAFD48F	High	1275	34.80	26.80	16.50	10.00
				Intermediate	850	24.00	14.40		15.85
				Low	850	19.10	15.30		27.60
HMCG22B361S	TMLV100C16MP12C	24.5	XAF/XAFD48F	High	1275	34.80	26.80	16.50	10.00
				Intermediate	850	24.00	14.40		15.85
				Low	850	19.10	15.30		27.60
HMCG22B361S	TPLC080C16MP13C	24.5	XAF/XAFD48F	High	1275	34.80	26.80	16.50	10.00
				Intermediate	850	24.00	14.40		15.85
				Low	850	19.10	15.30		27.60
HMCG22B361S	TPLC100C16MP13C	24.5	XAF/XAFD48F	High	1275	34.80	26.80	16.50	10.00
				Intermediate	850	24.00	14.40		15.85
				Low	850	19.10	15.30		27.60
HMCG22B361S	YPLC080C16MP13C	24.5	XAF/XAFD48F	High	1275	34.80	26.80	16.50	10.00
				Intermediate	850	24.00	14.40		15.85
				Low	850	19.10	15.30		27.60
HMCG22B361S	YPLC100C16MP13C	24.5	XAF/XAFD48F	High	1275	34.80	26.80	16.50	10.00
				Intermediate	850	24.00	14.40		15.85
				Low	850	19.10	15.30		27.60
HMCG22B361S	TM8V080B12MP12C	17.5	XAF/XAF/XAUB36D	High	1025	34.20	24.40	16.50	10.00
				Intermediate	725	23.60	13.00		15.60
				Low	725	18.80	13.80		27.20
HMCG22B361S	TPLC080B12MP13C	17.5	XAF/XAF/XAUB36D	High	1025	34.20	24.40	16.50	10.00
				Intermediate	725	23.60	13.00		15.60
				Low	725	18.80	13.80		27.20
HMCG22B361S	YPLC080B12MP13C	17.5	XAF/XAF/XAUB36D	High	1025	34.20	24.40	16.50	10.00
				Intermediate	725	23.60	13.00		15.60
				Low	725	18.80	13.80		27.20
HMCG22B361S	TM8E100C20MP11	21.0	XAF/XAFC36D	High	1125	35.40	25.40	16.00	10.00
				Intermediate	875	24.60	14.80		15.60
				Low	875	19.10	15.20		25.50
HMCG22B361S	TMLE100C20MP11	21.0	XAF/XAFC36D	High	1125	35.40	25.40	16.00	10.00
				Intermediate	875	24.60	14.80		15.60
				Low	875	19.10	15.20		25.50
HMCG22B361S	TM8E100B12MP11	21.0	XAF/XAFC36D	High	1050	35.60	25.00	17.00	10.50
				Intermediate	800	24.60	13.90		16.35
				Low	800	19.10	14.40		28.30
HMCG22B361S	TMLE100B12MP11	21.0	XAF/XAFC36D	High	1050	35.60	25.00	17.00	10.50
				Intermediate	800	24.60	13.90		16.35
				Low	800	19.10	14.40		28.30
HMCG22B361S	TM8E080C16MP11	21.0	XAF/XAF/XAUC48F	High	1175	35.60	26.00	17.00	10.00
				Intermediate	725	24.20	13.00		16.40
				Low	725	19.00	13.60		29.00

Table 7: Furnace capacity - 3 ton

Outdoor unit model	Furnace model	Furnace width (in.)	Indoor coil model	Stage	Rated CFM	Net cool (MBH)	Sens cool (MBH)	SEER2	EER2
HMCG22B361S	TMLE080C16MP11	21.0	XAF/XAF/XAUC48F	High	1175	35.60	26.00	17.00	10.00
				Intermediate	725	24.20	13.00		16.40
				Low	725	19.00	13.60		29.00
HMCG22B361S	TM8E080B12MP11	17.5	XAF/XAF/XAUB36D	High	1075	35.80	25.40	17.00	10.50
				Intermediate	825	24.60	14.20		16.35
				Low	825	19.20	14.70		28.30
HMCG22B361S	TMLE080B12MP11	17.5	XAF/XAF/XAUB36D	High	1075	35.80	25.40	17.00	10.50
				Intermediate	825	24.60	14.20		16.35
				Low	825	19.20	14.70		28.30
HMCG22B361S	TM8E040A12MP11	17.5	XAF/XAF/XAUB36D	High	1125	35.80	25.80	17.50	10.50
				Intermediate	625	23.80	11.80		16.40
				Low	625	18.80	12.50		29.60
HMCG22B361S	TMLE040A12MP11	17.5	XAF/XAF/XAUB36D	High	1125	35.80	25.80	17.50	10.50
				Intermediate	625	23.80	11.80		16.40
				Low	625	18.80	12.50		29.60
HMCG22B361S	TL9E100C20UH11	21.0	XAF/XAFC36D	High	1250	36.00	26.80	16.00	10.00
				Intermediate	1075	25.60	17.30		15.90
				Low	1075	19.50	17.30		25.45
HMCG22B361S	TL9E060B12UH11	21.0	XAF/XAF/XAUC48F	High	1125	35.80	25.80	17.50	10.50
				Intermediate	750	24.40	13.40		16.55
				Low	750	19.10	13.80		29.40
HMCG22B361S	TL8E100C20UH11	21.0	XAF/XAF/XAUC48F	High	1100	35.80	25.60	17.00	10.50
				Intermediate	950	25.20	15.80		16.25
				Low	950	19.40	16.00		27.20
HMCG22B361S	TL8E080C16UH11	21.0	XAFC30C	High	1250	36.00	27.00	17.00	10.50
				Intermediate	1050	25.60	17.00		16.40
				Low	1050	19.60	17.10		27.20
HMCG22B361S	TM9Y100C16MP11	21.0	XAF/XAFC36D	High	1125	35.60	25.20	16.50	10.00
				Intermediate	675	23.60	13.30		16.00
				Low	675	18.90	13.00		28.10
HMCG22B361S	TM9Y080B12MP11	21.0	XAF/XAF/XAUC48F	High	1150	35.60	25.40	16.50	10.00
				Intermediate	775	24.00	13.70		15.95
				Low	775	19.10	14.00		27.35
HMCG22B361S	TM9Y060B12MP11	21.0	XAF/XAF/XAUC48F	High	1050	35.80	24.80	17.00	10.50
				Intermediate	725	23.80	13.50		16.05
				Low	725	19.00	13.50		28.00
HMCG22B361S	TM9V120D20MP12C	24.5	XAF/XAFD48F	High	1175	35.60	25.60	17.00	10.00
				Intermediate	725	23.80	13.50		16.05
				Low	725	19.00	13.50		28.00
HMCG22B361S	TP9C120D20MP13C	24.5	XAF/XAFD48F	High	1175	35.60	25.60	17.00	10.00
				Intermediate	725	23.80	13.50		16.05
				Low	725	19.00	13.50		28.00
HMCG22B361S	YP9C120D20MP13C	24.5	XAF/XAFD48F	High	1175	35.60	25.60	17.00	10.00
				Intermediate	725	23.80	13.50		16.05
				Low	725	19.00	13.50		28.00
HMCG22B361S	TM9V100C16MP12C	21.0	XAFC30C	High	1000	35.80	24.40	17.00	11.00
				Intermediate	700	23.80	13.50		16.05
				Low	700	19.00	13.20		28.25
HMCG22B361S	TP9C100C16MP13C	21.0	XAFC30C	High	1000	35.80	24.40	17.00	11.00
				Intermediate	700	23.80	13.50		16.05
				Low	700	19.00	13.20		28.25
HMCG22B361S	YP9C100C16MP13C	21.0	XAFC30C	High	1000	35.80	24.40	17.00	11.00
				Intermediate	700	23.80	13.50		16.05
				Low	700	19.00	13.20		28.25
HMCG22B361S	TM9V080B12MP12C	21.0	XAF/XAFC36D	High	1225	35.80	26.20	17.00	10.50
				Intermediate	800	24.20	13.80		16.10
				Low	800	19.20	14.30		27.80
HMCG22B361S	TP9C080B12MP13C	21.0	XAF/XAFC36D	High	1225	35.80	26.20	17.00	10.50
				Intermediate	800	24.20	13.80		16.10
				Low	800	19.20	14.30		27.80
HMCG22B361S	YP9C080B12MP13C	21.0	XAF/XAFC36D	High	1225	35.80	26.20	17.00	10.50
				Intermediate	800	24.20	13.80		16.10
				Low	800	19.20	14.30		27.80

Table 7: Furnace capacity - 3 ton

Outdoor unit model	Furnace model	Furnace width (in.)	Indoor coil model	Stage	Rated CFM	Net cool (MBH)	Sens cool (MBH)	SEER2	EER2
HMCG22B361S	TM9V060B12MP12C	21.0	XAF/XAFC36D	High	1100	35.80	25.20	16.50	10.50
				Intermediate	950	24.60	14.20		15.80
				Low	950	19.40	15.90		26.00
HMCG22B361S	TP9C060B12MP13C	21.0	XAF/XAFC36D	High	1100	35.80	25.20	16.50	10.50
				Intermediate	950	24.60	14.20		15.80
				Low	950	19.40	15.90		26.00
HMCG22B361S	YP9C060B12MP13C	21.0	XAF/XAFC36D	High	1100	35.80	25.20	16.50	10.50
				Intermediate	950	24.60	14.20		15.80
				Low	950	19.40	15.90		26.00
HMCG22B361S	TM9V040A10MP12C	17.5	XAF/XAUB30C	High	1100	35.40	24.80	16.50	10.00
				Intermediate	725	23.80	13.60		15.75
				Low	725	18.90	13.40		27.00
HMCG22B361S	TM9E100C16MP12	21.0	XAF/XAF/XAUC48F	High	1200	35.80	26.00	17.00	10.00
				Intermediate	750	24.00	13.70		16.15
				Low	750	19.10	13.80		28.20
HMCG22B361S	TM9E080B12MP12	21.0	XAF/XAF/XAUC48F	High	1150	34.40	25.40	16.50	10.00
				Intermediate	750	23.60	13.20		15.75
				Low	750	18.90	14.10		27.65
HMCG22B361S	TM9E060B12MP12	21.0	XAF/XAF/XAUC48F	High	1175	34.40	25.60	16.50	10.00
				Intermediate	800	23.80	13.80		15.75
				Low	800	19.00	14.70		27.40
HMCG22B361S	TM9E060A10MP12	17.5	XAF/XAF/XAUB36D	High	1050	34.40	24.80	16.50	10.00
				Intermediate	725	23.60	13.00		15.80
				Low	725	18.90	13.80		27.95
HMCG22B361S	TM8Y120C20MP11	21.0	XAFC30C	High	1025	34.40	24.60	16.50	10.00
				Intermediate	800	23.80	13.80		15.75
				Low	800	19.00	14.70		27.45
HMCG22B361S	TM8Y100C20MP11	21.0	XAFC30C	High	1025	34.40	24.60	16.50	10.00
				Intermediate	800	23.80	13.80		15.75
				Low	800	19.00	14.70		27.45
HMCG22B361S	TM8Y080B12MP11	21.0	XAF/XAF/XAUC48F	High	1000	34.40	24.40	17.00	10.50
				Intermediate	700	23.60	12.70		15.85
				Low	700	18.90	13.60		28.30
HMCG22B361S	TM8Y060A12MP11	17.5	XAF/XAF/XAUB36D	High	1200	34.80	26.20	16.50	10.50
				Intermediate	1000	24.60	16.40		15.65
				Low	1000	19.20	16.90		26.50
HMCG22B361S	TM8V100C16MP12C	21.0	XAF/XAFC36D	High	1100	34.20	24.80	16.50	9.80
				Intermediate	700	23.40	12.60		15.55
				Low	700	18.80	13.60		27.10
HMCG22B361S	TM8V080C16MP12C	21.0	XAF/XAFC36D	High	1100	34.20	24.80	16.50	9.80
				Intermediate	700	23.40	12.60		15.55
				Low	700	18.80	13.60		27.10
HMCG22B361S	TMLV100C16MP12C	21.0	XAF/XAFC36D	High	1100	34.20	24.80	16.50	9.80
				Intermediate	700	23.40	12.60		15.55
				Low	700	18.80	13.60		27.10
HMCG22B361S	TPLC080C16MP13C	21.0	XAF/XAFC36D	High	1100	34.20	24.80	16.50	9.80
				Intermediate	700	23.40	12.60		15.55
				Low	700	18.80	13.60		27.10
HMCG22B361S	TPLC100C16MP13C	21.0	XAF/XAFC36D	High	1100	34.20	24.80	16.50	9.80
				Intermediate	700	23.40	12.60		15.55
				Low	700	18.80	13.60		27.10
HMCG22B361S	YPLC080C16MP13C	21.0	XAF/XAFC36D	High	1100	34.20	24.80	16.50	9.80
				Intermediate	700	23.40	12.60		15.55
				Low	700	18.80	13.60		27.10
HMCG22B361S	YPLC100C16MP13C	21.0	XAF/XAFC36D	High	1100	34.20	24.80	16.50	9.80
				Intermediate	700	23.40	12.60		15.55
				Low	700	18.80	13.60		27.10
HMCG22B361S	TM8V080B12MP12C	17.5	XAF/XAFB36E	High	1250	34.80	26.60	16.00	10.00
				Intermediate	975	24.40	16.00		15.60
				Low	975	19.20	16.70		26.40
HMCG22B361S	TPLC080B12MP13C	17.5	XAF/XAFB36E	High	1250	34.80	26.60	16.00	10.00
				Intermediate	975	24.40	16.00		15.60
				Low	975	19.20	16.70		26.40

Table 7: Furnace capacity - 3 ton

Outdoor unit model	Furnace model	Furnace width (in.)	Indoor coil model	Stage	Rated CFM	Net cool (MBH)	Sens cool (MBH)	SEER2	EER2
HMCG22B361S	YPLC080B12MP13C	17.5	XAF/XAFB36E	High	1250	34.80	26.60	16.00	10.00
				Intermediate	975	24.40	16.00		15.60
				Low	975	19.20	16.70		26.40
HMCG22B361S	TM8E100C16MP11	21.0	XAF/XAF/XAUC48F	High	1000	35.60	24.60	17.00	10.50
				Intermediate	700	24.00	12.70		16.30
				Low	700	18.90	13.30		28.85
HMCG22B361S	TMLE100C16MP11	21.0	XAF/XAF/XAUC48F	High	1000	35.60	24.60	17.00	10.50
				Intermediate	700	24.00	12.70		16.30
				Low	700	18.90	13.30		28.85
HMCG22B361S	TM8E100B12MP11	17.5	XAF/XAF/XAUB36D	High	1050	35.40	24.80	17.00	10.50
				Intermediate	825	24.60	14.30		16.10
				Low	825	19.10	14.60		27.40
HMCG22B361S	TMLE100B12MP11	17.5	XAF/XAF/XAUB36D	High	1050	35.40	24.80	17.00	10.50
				Intermediate	825	24.60	14.30		16.10
				Low	825	19.10	14.60		27.40
HMCG22B361S	TM8E080C16MP11	21.0	X AFC30C	High	1000	35.20	24.20	17.00	10.00
				Intermediate	675	23.80	12.30		16.00
				Low	675	18.80	13.00		27.90
HMCG22B361S	TMLE080C16MP11	21.0	X AFC30C	High	1000	35.20	24.20	17.00	10.00
				Intermediate	675	23.80	12.30		16.00
				Low	675	18.80	13.00		27.90
HMCG22B361S	TM8E080B12MP11	17.5	XAF/XAFB36E	High	1250	36.00	26.80	16.00	10.00
				Intermediate	1075	25.60	17.40		15.70
				Low	1075	19.40	17.30		24.80
HMCG22B361S	TMLE080B12MP11	17.5	XAF/XAFB36E	High	1250	36.00	26.80	16.00	10.00
				Intermediate	1075	25.60	17.40		15.70
				Low	1075	19.40	17.30		24.80
HMCG22B361S	TM8E040A12MP11	14.5	X AFA30D	High	1200	36.00	26.40	17.50	10.50
				Intermediate	800	24.60	14.00		16.55
				Low	800	19.20	14.40		29.05
HMCG22B361S	TMLE040A12MP11	14.5	X AFA30D	High	1200	36.00	26.40	17.50	10.50
				Intermediate	800	24.60	14.00		16.55
				Low	800	19.20	14.40		29.05
HMCG22B361S	TL9E080C16UH11	24.5	XAF/XAFD48F	High	1050	35.60	25.00	17.00	10.50
				Intermediate	800	24.60	13.90		16.35
				Low	800	19.10	14.40		28.30
HMCG22B361S	TL9E060B12UH11	17.5	XAF/XAF/XAUB36D	High	1275	36.00	27.00	17.00	10.00
				Intermediate	850	24.80	14.60		16.40
				Low	850	19.20	14.90		28.30
HMCG22B361S	TL8E100C20UH11	21.0	X AFC30C	High	1300	36.00	27.20	17.00	10.50
				Intermediate	825	24.60	14.20		16.50
				Low	825	19.20	14.60		28.75
HMCG22B361S	TL8E060A12UH11	14.5	X AFA30D	High	1275	36.00	26.80	17.00	10.50
				Intermediate	650	23.60	13.30		16.35
				Low	650	19.00	12.70		29.60
HMCG22B361S	TM9Y100C16MP11	21.0	XAF/XAF/XAUC48F	High	1125	35.60	25.20	16.00	10.00
				Intermediate	850	24.20	14.00		15.55
				Low	850	19.10	14.80		25.65
HMCG22B361S	TM9Y080C16MP11	21.0	X AFC30C	High	1025	35.40	24.20	16.50	10.50
				Intermediate	725	23.80	13.60		15.75
				Low	725	18.90	13.50		26.95
HMCG22B361S	TM9Y080B12MP11	17.5	XAF/XAFB36E	High	1050	35.60	24.60	17.00	10.50
				Intermediate	725	23.80	13.50		16.00
				Low	725	19.00	13.50		27.85
HMCG22B361S	TM9Y060B12MP11	17.5	XAF/XAFB36E	High	1000	35.80	24.40	17.00	10.50
				Intermediate	725	23.80	13.50		16.10
				Low	725	19.00	13.50		28.30
HMCG22B361S	TM9V100C16MP12C	21.0	XAF/XAFC36D	High	1100	35.80	25.20	17.00	10.50
				Intermediate	650	23.60	13.30		16.10
				Low	650	18.90	12.70		28.65
HMCG22B361S	TP9C100C16MP13C	21.0	XAF/XAFC36D	High	1100	35.80	25.20	17.00	10.50
				Intermediate	650	23.60	13.30		16.10
				Low	650	18.90	12.70		28.65

Table 7: Furnace capacity - 3 ton

Outdoor unit model	Furnace model	Furnace width (in.)	Indoor coil model	Stage	Rated CFM	Net cool (MBH)	Sens cool (MBH)	SEER2	EER2
HMCG22B361S	YP9C100C16MP13C	21.0	XAF/XAFC36D	High	1100	35.80	25.20	17.00	10.50
				Intermediate	650	23.60	13.30		16.10
				Low	650	18.90	12.70		28.65
HMCG22B361S	TM9V080B12MP12C	21.0	XAF/XAF/XAUC48F	High	1100	35.60	25.00	16.50	10.00
				Intermediate	675	23.60	13.40		15.80
				Low	675	18.90	13.00		27.45
HMCG22B361S	TP9C080B12MP13C	21.0	XAF/XAF/XAUC48F	High	1100	35.60	25.00	16.50	10.00
				Intermediate	675	23.60	13.40		15.80
				Low	675	18.90	13.00		27.45
HMCG22B361S	YP9C080B12MP13C	21.0	XAF/XAF/XAUC48F	High	1100	35.60	25.00	16.50	10.00
				Intermediate	675	23.60	13.40		15.80
				Low	675	18.90	13.00		27.45
HMCG22B361S	TM9V060B12MP12C	21.0	XAF/XAF/XAUC48F	High	1125	36.00	25.60	17.00	10.50
				Intermediate	775	24.20	13.80		16.35
				Low	775	19.20	14.00		28.70
HMCG22B361S	TP9C060B12MP13C	21.0	XAF/XAF/XAUC48F	High	1125	36.00	25.60	17.00	10.50
				Intermediate	775	24.20	13.80		16.35
				Low	775	19.20	14.00		28.70
HMCG22B361S	YP9C060B12MP13C	21.0	XAF/XAF/XAUC48F	High	1125	36.00	25.60	17.00	10.50
				Intermediate	775	24.20	13.80		16.35
				Low	775	19.20	14.00		28.70
HMCG22B361S	TM9V040A10MP12C	17.5	XAF/XAF/XAUB36D	High	1000	35.40	24.00	16.50	10.50
				Intermediate	675	23.60	13.40		15.80
				Low	675	18.90	13.00		27.40
HMCG22B361S	TM9E100C16MP12	24.5	XAF/XAFD48F	High	1075	36.00	25.20	17.00	10.50
				Intermediate	800	24.20	13.80		16.10
				Low	800	19.20	14.30		27.85
HMCG22B361S	TM9E080C16MP12	21.0	XAF/XAFC36D	High	1225	36.00	26.40	16.50	10.50
				Intermediate	950	24.60	14.20		15.90
				Low	950	19.40	15.90		26.30
HMCG22B361S	TM9E080B12MP12	17.5	XAF/XAFB36E	High	1025	34.00	24.20	16.00	10.00
				Intermediate	725	23.60	13.00		15.50
				Low	725	18.80	13.80		26.85
HMCG22B361S	TM9E060B12MP12	17.5	XAF/XAFB36E	High	1100	34.20	24.80	16.50	9.80
				Intermediate	700	23.40	12.60		15.55
				Low	700	18.80	13.60		27.10
HMCG22B361S	TM8Y120C20MP11	21.0	XAF/XAFC36D	High	1025	34.40	24.60	16.50	10.00
				Intermediate	850	24.00	14.50		15.60
				Low	850	19.00	15.20		26.75
HMCG22B361S	TM8Y100C20MP11	21.0	XAF/XAFC36D	High	1025	34.40	24.60	16.50	10.00
				Intermediate	850	24.00	14.50		15.60
				Low	850	19.00	15.20		26.75
HMCG22B361S	TM8Y080C16MP11	21.0	XAFC30C	High	1125	34.20	25.00	16.50	9.80
				Intermediate	725	23.60	13.00		15.65
				Low	725	18.90	13.90		27.40
HMCG22B361S	TM8Y080B12MP11	17.5	XAF/XAFB36E	High	1050	34.40	24.80	16.50	10.00
				Intermediate	825	23.80	14.10		15.55
				Low	825	19.00	15.00		26.75
HMCG22B361S	TM8V100C16MP12C	21.0	XAF/XAF/XAUC48F	High	1050	34.40	24.80	17.00	10.50
				Intermediate	700	23.60	12.70		15.90
				Low	700	18.90	13.60		28.50
HMCG22B361S	TM8V080C16MP12C	21.0	XAF/XAF/XAUC48F	High	1050	34.40	24.80	17.00	10.50
				Intermediate	700	23.60	12.70		15.90
				Low	700	18.90	13.60		28.50
HMCG22B361S	TMLV100C16MP12C	21.0	XAF/XAF/XAUC48F	High	1050	34.40	24.80	17.00	10.50
				Intermediate	700	23.60	12.70		15.90
				Low	700	18.90	13.60		28.50
HMCG22B361S	TPLC080C16MP13C	21.0	XAF/XAF/XAUC48F	High	1050	34.40	24.80	17.00	10.50
				Intermediate	700	23.60	12.70		15.90
				Low	700	18.90	13.60		28.50
HMCG22B361S	TPLC100C16MP13C	21.0	XAF/XAF/XAUC48F	High	1050	34.40	24.80	17.00	10.50
				Intermediate	700	23.60	12.70		15.90
				Low	700	18.90	13.60		28.50

Table 7: Furnace capacity - 3 ton

Outdoor unit model	Furnace model	Furnace width (in.)	Indoor coil model	Stage	Rated CFM	Net cool (MBH)	Sens cool (MBH)	SEER2	EER2
HMCG22B361S	YPLC080C16MP13C	21.0	XAF/XAF/XAUC48F	High	1050	34.40	24.80	17.00	10.50
				Intermediate	700	23.60	12.70		15.90
				Low	700	18.90	13.60		28.50
HMCG22B361S	YPLC100C16MP13C	21.0	XAF/XAF/XAUC48F	High	1050	34.40	24.80	17.00	10.50
				Intermediate	700	23.60	12.70		15.90
				Low	700	18.90	13.60		28.50
HMCG22B361S	TM8V080B12MP12C	17.5	XAF/XAUB30C	High	1025	34.20	24.40	16.50	10.00
				Intermediate	675	23.40	12.40		15.70
				Low	675	18.80	13.30		27.70
HMCG22B361S	TPLC080B12MP13C	17.5	XAF/XAUB30C	High	1025	34.20	24.40	16.50	10.00
				Intermediate	675	23.40	12.40		15.70
				Low	675	18.80	13.30		27.70
HMCG22B361S	YPLC080B12MP13C	17.5	XAF/XAUB30C	High	1025	34.20	24.40	16.50	10.00
				Intermediate	675	23.40	12.40		15.70
				Low	675	18.80	13.30		27.70
HMCG22B361S	TM8E100C16MP11	24.5	XAF/XAFD48F	High	1175	35.80	26.20	17.00	10.50
				Intermediate	800	24.60	14.00		16.35
				Low	800	19.10	14.30		28.35
HMCG22B361S	TMLE100C16MP11	24.5	XAF/XAFD48F	High	1175	35.80	26.20	17.00	10.50
				Intermediate	800	24.60	14.00		16.35
				Low	800	19.10	14.30		28.35
HMCG22B361S	TM8E100B12MP11	21.0	X AFC30C	High	1075	35.60	25.20	17.00	10.50
				Intermediate	775	24.40	13.60		16.35
				Low	775	19.10	14.10		28.55
HMCG22B361S	TMLE100B12MP11	21.0	X AFC30C	High	1075	35.60	25.20	17.00	10.50
				Intermediate	775	24.40	13.60		16.35
				Low	775	19.10	14.10		28.55
HMCG22B361S	TM8E080C16MP11	21.0	XAF/XAFC36D	High	1050	35.60	25.00	17.50	10.50
				Intermediate	700	24.00	12.60		16.35
				Low	700	19.00	13.30		29.05
HMCG22B361S	TMLE080C16MP11	21.0	XAF/XAFC36D	High	1050	35.60	25.00	17.50	10.50
				Intermediate	700	24.00	12.60		16.35
				Low	700	19.00	13.30		29.05
HMCG22B361S	TM8E080B12MP11	17.5	XAF/XAUB30C	High	1225	35.60	26.20	17.00	10.00
				Intermediate	775	24.40	13.70		16.30
				Low	775	19.10	14.10		28.35
HMCG22B361S	TMLE080B12MP11	17.5	XAF/XAUB30C	High	1225	35.60	26.20	17.00	10.00
				Intermediate	775	24.40	13.70		16.30
				Low	775	19.10	14.10		28.35
HMCG22B361S	TM8E040A12MP11	17.5	XAF/XAUB30C	High	1125	35.60	25.60	17.00	10.50
				Intermediate	650	23.80	12.10		16.20
				Low	650	18.80	12.70		28.80
HMCG22B361S	TMLE040A12MP11	17.5	XAF/XAUB30C	High	1125	35.60	25.60	17.00	10.50
				Intermediate	650	23.80	12.10		16.20
				Low	650	18.80	12.70		28.80
HMCG22B361S	TL9E100C20UH11	21.0	X AFC30C	High	1050	35.60	25.00	16.50	10.50
				Intermediate	925	25.00	15.50		16.05
				Low	925	19.30	15.80		26.65
HMCG22B361S	TL9E060B12UH11	21.0	X AFC30C	High	1050	35.60	25.00	17.50	10.50
				Intermediate	700	24.00	12.60		16.35
				Low	700	19.00	13.30		29.05
HMCG22B361S	TL8E100C20UH11	21.0	XAF/XAFC36D	High	1100	35.80	25.60	17.50	10.50
				Intermediate	825	24.60	14.20		16.45
				Low	825	19.20	14.60		28.60
HMCG22B361S	TL8E060A12UH11	17.5	XAF/XAF/XAUB36D	High	1100	35.80	25.60	17.00	10.50
				Intermediate	950	25.20	15.90		16.20
				Low	950	19.30	15.90		27.05

Furnace capacity - 4 ton

Table 8: Furnace capacity - 4 ton

Outdoor unit model	Furnace model	Furnace width (in.)	Indoor coil model	Stage	Rated CFM	Net cool (MBH)	Sens cool (MBH)	SEER2	EER2
HMCG22B481S	TM9V120D20MP12C	24.5	XAF/XAF/XAUD60H	High	1400	48.00	32.20	16.00	9.80
				Intermediate	900	32.00	15.90		15.30
				Low	900	24.80	16.90		27.50
HMCG22B481S	TP9C120D20MP13C	24.5	XAF/XAF/XAUD60H	High	1400	48.00	32.20	16.00	9.80
				Intermediate	900	32.00	15.90		15.30
				Low	900	24.80	16.90		27.50
HMCG22B481S	YP9C120D20MP13C	24.5	XAF/XAF/XAUD60H	High	1400	48.00	32.20	16.00	9.80
				Intermediate	900	32.00	15.90		15.30
				Low	900	24.80	16.90		27.50
HMCG22B481S	TM8Y100C16MP11	21.0	XAF/XAFC60H	High	1425	48.00	32.20	16.00	9.80
				Intermediate	775	31.20	14.40		15.35
				Low	775	24.40	15.50		28.85
HMCG22B481S	TM8Y080C16MP11	21.0	XAF/XAFC60H	High	1425	48.00	32.20	16.00	9.80
				Intermediate	775	31.20	14.40		15.35
				Low	775	24.40	15.50		28.85
HMCG22B481S	TM8V080C16MP12C	24.5	XAF/XAF/XAUD60H	High	1400	48.00	32.00	16.00	9.80
				Intermediate	900	32.00	15.90		15.15
				Low	900	24.80	16.80		27.00
HMCG22B481S	TL9E100C20UH11	21.0	XAF/XAFC60H	High	1475	48.00	32.60	16.50	9.80
				Intermediate	1100	33.80	18.50		15.60
				Low	1100	25.60	19.10		27.00
HMCG22B481S	TM9V100C16MP12C	21.0	XAF/XAFC60H	High	1475	48.00	32.60	16.00	9.80
				Intermediate	1000	32.80	17.10		15.40
				Low	1000	25.20	18.00		27.00
HMCG22B481S	TP9C100C16MP13C	21.0	XAF/XAFC60H	High	1475	48.00	32.60	16.00	9.80
				Intermediate	1000	32.80	17.10		15.40
				Low	1000	25.20	18.00		27.00
HMCG22B481S	YP9C100C16MP13C	21.0	XAF/XAFC60H	High	1475	48.00	32.60	16.00	9.80
				Intermediate	1000	32.80	17.10		15.40
				Low	1000	25.20	18.00		27.00
HMCG22B481S	TM8V120C20MP12C	21.0	XAF/XAFC60H	High	1425	48.00	32.20	16.50	9.80
				Intermediate	975	32.80	16.90		15.50
				Low	975	25.00	17.60		27.70
HMCG22B481S	TM8V100C20MP12C	21.0	XAF/XAFC60H	High	1425	48.00	32.20	16.50	9.80
				Intermediate	975	32.80	16.90		15.50
				Low	975	25.00	17.60		27.70
HMCG22B481S	TMLV120C20MP12C	21.0	XAF/XAFC60H	High	1425	48.00	32.20	16.50	9.80
				Intermediate	975	32.80	16.90		15.50
				Low	975	25.00	17.60		27.70
HMCG22B481S	TPLC100C20MP13C	21.0	XAF/XAFC60H	High	1425	48.00	32.20	16.50	9.80
				Intermediate	975	32.80	16.90		15.50
				Low	975	25.00	17.60		27.70
HMCG22B481S	TPLC120C20MP13C	21.0	XAF/XAFC60H	High	1425	48.00	32.20	16.50	9.80
				Intermediate	975	32.80	16.90		15.50
				Low	975	25.00	17.60		27.70
HMCG22B481S	YPLC100C20MP13C	21.0	XAF/XAFC60H	High	1425	48.00	32.20	16.50	9.80
				Intermediate	975	32.80	16.90		15.50
				Low	975	25.00	17.60		27.70
HMCG22B481S	YPLC120C20MP13C	21.0	XAF/XAFC60H	High	1425	48.00	32.20	16.50	9.80
				Intermediate	975	32.80	16.90		15.50
				Low	975	25.00	17.60		27.70
HMCG22B481S	TM8E120C16MP11	21.0	XAF/XAFC60H	High	1475	48.00	32.60	16.50	9.80
				Intermediate	950	32.60	16.60		15.50
				Low	950	25.00	17.40		27.85
HMCG22B481S	TMLE120C16MP11	21.0	XAF/XAFC60H	High	1475	48.00	32.60	16.50	9.80
				Intermediate	950	32.60	16.60		15.50
				Low	950	25.00	17.40		27.85
HMCG22B481S	TL8E100C20UH11	21.0	XAH/XAHC60H	High	1500	48.00	32.80	17.00	9.80
				Intermediate	1075	33.60	18.10		15.90
				Low	1075	25.60	18.80		28.30

Table 8: Furnace capacity - 4 ton

Outdoor unit model	Furnace model	Furnace width (in.)	Indoor coil model	Stage	Rated CFM	Net cool (MBH)	Sens cool (MBH)	SEER2	EER2
HMCG22B481S	TM9V100C16MP12C	21.0	XAH/XAHC60H	High	1475	48.00	32.60	16.50	9.80
				Intermediate	975	32.80	16.90		15.55
				Low	975	25.00	17.60		27.75
HMCG22B481S	TP9C100C16MP13C	21.0	XAH/XAHC60H	High	1475	48.00	32.60	16.50	9.80
				Intermediate	975	32.80	16.90		15.55
				Low	975	25.00	17.60		27.75
HMCG22B481S	YP9C100C16MP13C	21.0	XAH/XAHC60H	High	1475	48.00	32.60	16.50	9.80
				Intermediate	975	32.80	16.90		15.55
				Low	975	25.00	17.60		27.75
HMCG22B481S	TM8V120C20MP12C	21.0	XAH/XAHC60H	High	1425	48.00	32.20	16.50	9.80
				Intermediate	975	32.80	16.90		15.65
				Low	975	25.20	17.70		28.25
HMCG22B481S	TM8V100C20MP12C	21.0	XAH/XAHC60H	High	1425	48.00	32.20	16.50	9.80
				Intermediate	975	32.80	16.90		15.65
				Low	975	25.20	17.70		28.25
HMCG22B481S	TMLV120C20MP12C	21.0	XAH/XAHC60H	High	1425	48.00	32.20	16.50	9.80
				Intermediate	975	32.80	16.90		15.65
				Low	975	25.20	17.70		28.25
HMCG22B481S	TPLC100C20MP13C	21.0	XAH/XAHC60H	High	1425	48.00	32.20	16.50	9.80
				Intermediate	975	32.80	16.90		15.65
				Low	975	25.20	17.70		28.25
HMCG22B481S	TPLC120C20MP13C	21.0	XAH/XAHC60H	High	1425	48.00	32.20	16.50	9.80
				Intermediate	975	32.80	16.90		15.65
				Low	975	25.20	17.70		28.25
HMCG22B481S	YPLC100C20MP13C	21.0	XAH/XAHC60H	High	1425	48.00	32.20	16.50	9.80
				Intermediate	975	32.80	16.90		15.65
				Low	975	25.20	17.70		28.25
HMCG22B481S	YPLC120C20MP13C	21.0	XAH/XAHC60H	High	1425	48.00	32.20	16.50	9.80
				Intermediate	975	32.80	16.90		15.65
				Low	975	25.20	17.70		28.25
HMCG22B481S	TM8E120C16MP11	21.0	XAH/XAHC60H	High	1500	48.00	32.60	16.50	9.80
				Intermediate	1000	33.00	17.20		15.75
				Low	1000	25.20	17.90		28.35
HMCG22B481S	TMLE120C16MP11	21.0	XAH/XAHC60H	High	1500	48.00	32.60	16.50	9.80
				Intermediate	1000	33.00	17.20		15.75
				Low	1000	25.20	17.90		28.35
HMCG22B481S	TL8E100C20UH11	24.5	XAH/XAHD60H	High	1475	48.00	32.60	16.50	9.80
				Intermediate	1025	33.20	17.50		15.65
				Low	1025	25.40	18.20		27.70
HMCG22B481S	TM9Y120D20MP11	24.5	XAH/XAHD60H	High	1450	48.00	32.40	16.50	9.80
				Intermediate	950	32.60	16.60		15.55
				Low	950	25.00	17.40		28.10
HMCG22B481S	TM8Y100C16MP11	24.5	XAH/XAHD60H	High	1425	48.00	32.20	16.00	9.80
				Intermediate	775	31.20	14.50		15.35
				Low	775	24.40	15.50		28.80
HMCG22B481S	TM8Y080C16MP11	24.5	XAH/XAHD60H	High	1425	48.00	32.20	16.00	9.80
				Intermediate	775	31.20	14.50		15.35
				Low	775	24.40	15.50		28.80
HMCG22B481S	TM8V100C16MP12C	21.0	XAH/XAHC60H	High	1450	48.00	32.40	16.50	9.80
				Intermediate	975	32.80	16.90		15.50
				Low	975	25.00	17.60		27.60
HMCG22B481S	TM8V080C16MP12C	21.0	XAH/XAHC60H	High	1450	48.00	32.40	16.50	9.80
				Intermediate	975	32.80	16.90		15.50
				Low	975	25.00	17.60		27.60
HMCG22B481S	TMLV100C16MP12C	21.0	XAH/XAHC60H	High	1450	48.00	32.40	16.50	9.80
				Intermediate	975	32.80	16.90		15.50
				Low	975	25.00	17.60		27.60
HMCG22B481S	TPLC080C16MP13C	21.0	XAH/XAHC60H	High	1450	48.00	32.40	16.50	9.80
				Intermediate	975	32.80	16.90		15.50
				Low	975	25.00	17.60		27.60
HMCG22B481S	TPLC100C16MP13C	21.0	XAH/XAHC60H	High	1450	48.00	32.40	16.50	9.80
				Intermediate	975	32.80	16.90		15.50
				Low	975	25.00	17.60		27.60

Table 8: Furnace capacity - 4 ton

Outdoor unit model	Furnace model	Furnace width (in.)	Indoor coil model	Stage	Rated CFM	Net cool (MBH)	Sens cool (MBH)	SEER2	EER2
HMCG22B481S	YPLC080C16MP13C	21.0	XAH/XAHC60H	High	1450	48.00	32.40	16.50	9.80
				Intermediate	975	32.80	16.90		15.50
				Low	975	25.00	17.60		27.60
HMCG22B481S	YPLC100C16MP13C	21.0	XAH/XAHC60H	High	1450	48.00	32.40	16.50	9.80
				Intermediate	975	32.80	16.90		15.50
				Low	975	25.00	17.60		27.60
HMCG22B481S	TL9E100C20UH11	24.5	XAH/XAHD60H	High	1475	48.00	32.60	16.50	9.80
				Intermediate	1100	33.60	18.30		15.55
				Low	1100	25.60	19.20		26.90
HMCG22B481S	TL8E100C20UH11	24.5	XAF/XAF/XAUD60H	High	1475	48.00	32.60	16.50	9.80
				Intermediate	1025	33.20	17.50		15.60
				Low	1025	25.20	18.20		27.65
HMCG22B481S	TM9V120D20MP12C	24.5	XAH/XAHD60H	High	1400	48.00	32.20	16.00	9.80
				Intermediate	900	32.00	15.80		15.35
				Low	900	24.80	16.90		27.70
HMCG22B481S	TP9C120D20MP13C	24.5	XAH/XAHD60H	High	1400	48.00	32.20	16.00	9.80
				Intermediate	900	32.00	15.80		15.35
				Low	900	24.80	16.90		27.70
HMCG22B481S	YP9C120D20MP13C	24.5	XAH/XAHD60H	High	1400	48.00	32.20	16.00	9.80
				Intermediate	900	32.00	15.80		15.35
				Low	900	24.80	16.90		27.70
HMCG22B481S	TM8Y100C16MP11	24.5	XAF/XAF/XAUD60H	High	1425	48.00	32.20	16.50	9.80
				Intermediate	975	32.60	16.80		15.45
				Low	975	25.00	17.60		27.50
HMCG22B481S	TM8Y080C16MP11	24.5	XAF/XAF/XAUD60H	High	1425	48.00	32.20	16.50	9.80
				Intermediate	975	32.60	16.80		15.45
				Low	975	25.00	17.60		27.50
HMCG22B481S	TM8V080C16MP12C	24.5	XAH/XAHD60H	High	1400	48.00	32.00	16.00	9.80
				Intermediate	900	32.00	15.90		15.20
				Low	900	24.80	16.90		27.25
HMCG22B481S	TL9E100C20UH11	24.5	XAF/XAF/XAUD60H	High	1475	48.00	32.60	16.50	9.80
				Intermediate	1075	33.40	18.00		15.45
				Low	1075	25.40	18.80		26.70
HMCG22B481S	TM9Y120D20MP11	24.5	XAF/XAF/XAUD60H	High	1450	48.00	32.40	16.50	9.80
				Intermediate	925	32.40	16.30		15.45
				Low	925	24.80	17.00		27.85
HMCG22B481S	TM8Y100C16MP11	21.0	XAH/XAHC60H	High	1425	48.00	32.20	16.50	9.80
				Intermediate	825	31.60	15.00		15.65
				Low	825	24.60	16.00		29.55
HMCG22B481S	TM8Y080C16MP11	21.0	XAH/XAHC60H	High	1425	48.00	32.20	16.50	9.80
				Intermediate	825	31.60	15.00		15.65
				Low	825	24.60	16.00		29.55
HMCG22B481S	TM8V100C16MP12C	21.0	XAF/XAFC60H	High	1425	48.00	32.20	16.00	9.80
				Intermediate	900	32.00	15.90		15.30
				Low	900	24.80	16.90		27.50
HMCG22B481S	TM8V080C16MP12C	21.0	XAF/XAFC60H	High	1425	48.00	32.20	16.00	9.80
				Intermediate	900	32.00	15.90		15.30
				Low	900	24.80	16.90		27.50
HMCG22B481S	TMLV100C16MP12C	21.0	XAF/XAFC60H	High	1425	48.00	32.20	16.00	9.80
				Intermediate	900	32.00	15.90		15.30
				Low	900	24.80	16.90		27.50
HMCG22B481S	TPLC080C16MP13C	21.0	XAF/XAFC60H	High	1425	48.00	32.20	16.00	9.80
				Intermediate	900	32.00	15.90		15.30
				Low	900	24.80	16.90		27.50
HMCG22B481S	TPLC100C16MP13C	21.0	XAF/XAFC60H	High	1425	48.00	32.20	16.00	9.80
				Intermediate	900	32.00	15.90		15.30
				Low	900	24.80	16.90		27.50
HMCG22B481S	YPLC080C16MP13C	21.0	XAF/XAFC60H	High	1425	48.00	32.20	16.00	9.80
				Intermediate	900	32.00	15.90		15.30
				Low	900	24.80	16.90		27.50
HMCG22B481S	YPLC100C16MP13C	21.0	XAF/XAFC60H	High	1425	48.00	32.20	16.00	9.80
				Intermediate	900	32.00	15.90		15.30
				Low	900	24.80	16.90		27.50

Table 8: Furnace capacity - 4 ton

Outdoor unit model	Furnace model	Furnace width (in.)	Indoor coil model	Stage	Rated CFM	Net cool (MBH)	Sens cool (MBH)	SEER2	EER2
HMCG22B481S	TL9E100C20UH11	21.0	XAH/XAHC60H	High	1500	48.00	32.60	16.50	9.80
				Intermediate	1125	34.00	18.80		15.75
				Low	1125	25.60	19.30		27.35
HMCG22B481S	TL8E100C20UH11	21.0	XAF/XAFC60H	High	1500	48.00	32.80	16.50	9.80
				Intermediate	1050	33.40	17.80		15.75
				Low	1050	25.40	18.50		28.00

Furnace capacity - 5 ton

Table 9: Furnace capacity - 5 ton

Outdoor unit model	Furnace model	Furnace width (in.)	Indoor coil model	Stage	Rated CFM	Net cool (MBH)	Sens cool (MBH)	SEER2	EER2
HMCG22B601S	TM9Y100C20MP11	24.5	XAH/XAHD60H	High	1550	52.50	35.60	16.50	9.80
				Intermediate	1150	35.40	19.80		15.85
				Low	1150	27.40	20.20		27.95
HMCG22B601S	TM9V120D20MP12C	24.5	XAH/XAHD60H	High	1700	53.50	39.00	17.00	9.80
				Intermediate	1025	34.80	18.40		16.30
				Low	1025	27.00	19.20		30.25
HMCG22B601S	TP9C120D20MP13C	24.5	XAH/XAHD60H	High	1700	53.50	39.00	17.00	9.80
				Intermediate	1025	34.80	18.40		16.30
				Low	1025	27.00	19.20		30.25
HMCG22B601S	YP9C120D20MP13C	24.5	XAH/XAHD60H	High	1700	53.50	39.00	17.00	9.80
				Intermediate	1025	34.80	18.40		16.30
				Low	1025	27.00	19.20		30.25
HMCG22B601S	TM9V100C20MP12C	24.5	XAF/XAF/XAUD60H	High	1650	53.00	38.50	17.00	9.80
				Intermediate	1050	34.80	18.70		16.00
				Low	1050	27.00	19.40		28.85
HMCG22B601S	TP9C100C20MP13C	24.5	XAF/XAF/XAUD60H	High	1650	53.00	38.50	17.00	9.80
				Intermediate	1050	34.80	18.70		16.00
				Low	1050	27.00	19.40		28.85
HMCG22B601S	YP9C100C20MP13C	24.5	XAF/XAF/XAUD60H	High	1650	53.00	38.50	17.00	9.80
				Intermediate	1050	34.80	18.70		16.00
				Low	1050	27.00	19.40		28.85
HMCG22B601S	TM9V100C16MP12C	24.5	XAF/XAF/XAUD60H	High	1650	53.00	38.50	16.50	9.80
				Intermediate	1150	35.40	19.70		15.95
				Low	1150	27.40	20.20		28.30
HMCG22B601S	TP9C100C16MP13C	24.5	XAF/XAF/XAUD60H	High	1650	53.00	38.50	16.50	9.80
				Intermediate	1150	35.40	19.70		15.95
				Low	1150	27.40	20.20		28.30
HMCG22B601S	YP9C100C16MP13C	24.5	XAF/XAF/XAUD60H	High	1650	53.00	38.50	16.50	9.80
				Intermediate	1150	35.40	19.70		15.95
				Low	1150	27.40	20.20		28.30
HMCG22B601S	TM9E100C20MP12	24.5	XAH/XAHD60J	High	1700	54.50	41.00	17.00	10.00
				Intermediate	1225	36.00	22.00		16.25
				Low	1225	27.20	21.80		28.45
HMCG22B601S	TM9E100C16MP12	24.5	XAH/XAHD60H	High	1500	52.00	37.20	17.00	9.80
				Intermediate	1050	34.80	18.70		16.00
				Low	1050	27.00	19.40		28.90
HMCG22B601S	TM9E080C20MP12	24.5	XAH/XAHD60H	High	1750	54.00	39.50	17.00	9.90
				Intermediate	1225	36.00	20.60		16.25
				Low	1225	28.00	21.00		29.05
HMCG22B601S	TM8Y120C20MP11	24.5	XAH/XAHD60H	High	1725	53.50	39.50	17.50	9.80
				Intermediate	1025	35.00	18.40		16.50
				Low	1025	27.20	19.20		31.10
HMCG22B601S	TM8Y100C20MP11	24.5	XAH/XAHD60H	High	1725	53.50	39.50	17.50	9.80
				Intermediate	1025	35.00	18.40		16.50
				Low	1025	27.20	19.20		31.10
HMCG22B601S	TM8V100C20MP12C	24.5	XAH/XAHD60J	High	1750	54.00	41.50	17.00	9.80
				Intermediate	1175	35.80	21.60		16.25
				Low	1175	27.00	21.40		28.60
HMCG22B601S	TM8E130D20MP11	24.5	XAH/XAHD60H	High	1675	53.00	38.50	17.00	9.80
				Intermediate	1250	36.00	20.80		16.15
				Low	1250	28.00	21.20		28.55
HMCG22B601S	TMLE130D20MP11	24.5	XAH/XAHD60H	High	1675	53.00	38.50	17.00	9.80
				Intermediate	1250	36.00	20.80		16.15
				Low	1250	28.00	21.20		28.55
HMCG22B601S	TM8E120C20MP11	24.5	XAF/XAFD60J	High	1650	54.00	40.50	17.00	9.80
				Intermediate	1250	36.20	22.20		16.10
				Low	1250	27.20	22.00		27.80
HMCG22B601S	TMLE120C20MP11	24.5	XAF/XAFD60J	High	1650	54.00	40.50	17.00	9.80
				Intermediate	1250	36.20	22.20		16.10
				Low	1250	27.20	22.00		27.80

Table 9: Furnace capacity - 5 ton

Outdoor unit model	Furnace model	Furnace width (in.)	Indoor coil model	Stage	Rated CFM	Net cool (MBH)	Sens cool (MBH)	SEER2	EER2
HMCG22B601S	TM8E100C20MP11	21.0	XAH/XAHC60H	High	1625	53.00	38.50	17.00	9.80
				Intermediate	1250	36.00	20.80		16.30
				Low	1250	28.00	21.20		29.15
HMCG22B601S	TMLE100C20MP11	21.0	XAH/XAHC60H	High	1625	53.00	38.50	17.00	9.80
				Intermediate	1250	36.00	20.80		16.30
				Low	1250	28.00	21.20		29.15
HMCG22B601S	TM8E080C20MP11	21.0	XAH/XAHC60H	High	1625	53.00	38.50	17.00	9.80
				Intermediate	1250	36.20	20.80		16.30
				Low	1250	28.00	21.20		29.20
HMCG22B601S	TMLE080C20MP11	21.0	XAH/XAHC60H	High	1625	53.00	38.50	17.00	9.80
				Intermediate	1250	36.20	20.80		16.30
				Low	1250	28.00	21.20		29.20
HMCG22B601S	TL8E100C20UH11	21.0	XAH/XAHC60H	High	1500	52.50	37.20	17.50	10.00
				Intermediate	1075	35.20	19.00		16.55
				Low	1075	27.40	19.60		30.95
HMCG22B601S	TM9Y120D20MP11	24.5	XAH/XAHD60H	High	1675	53.00	36.20	17.00	9.80
				Intermediate	1225	36.00	20.60		16.15
				Low	1225	28.00	21.00		28.80
HMCG22B601S	TM9Y100C20MP11	24.5	XAF/XAFD60J	High	1575	53.00	39.50	16.50	9.80
				Intermediate	1175	35.60	21.60		15.95
				Low	1175	26.80	21.40		27.55
HMCG22B601S	TM9V120D20MP12C	24.5	XAF/XAF/XAUD60H	High	1700	53.50	39.00	17.00	9.80
				Intermediate	1025	34.80	18.40		16.25
				Low	1025	27.00	19.20		30.00
HMCG22B601S	TP9C120D20MP13C	24.5	XAF/XAF/XAUD60H	High	1700	53.50	39.00	17.00	9.80
				Intermediate	1025	34.80	18.40		16.25
				Low	1025	27.00	19.20		30.00
HMCG22B601S	YP9C120D20MP13C	24.5	XAF/XAF/XAUD60H	High	1700	53.50	39.00	17.00	9.80
				Intermediate	1025	34.80	18.40		16.25
				Low	1025	27.00	19.20		30.00
HMCG22B601S	TM9V100C16MP12C	24.5	XAH/XAHD60J	High	1550	53.00	39.00	17.00	9.80
				Intermediate	1050	35.00	20.60		16.10
				Low	1050	26.40	19.90		28.60
HMCG22B601S	TP9C100C16MP13C	24.5	XAH/XAHD60J	High	1550	53.00	39.00	17.00	9.80
				Intermediate	1050	35.00	20.60		16.10
				Low	1050	26.40	19.90		28.60
HMCG22B601S	YP9C100C16MP13C	24.5	XAH/XAHD60J	High	1550	53.00	39.00	17.00	9.80
				Intermediate	1050	35.00	20.60		16.10
				Low	1050	26.40	19.90		28.60
HMCG22B601S	TM9E120D20MP12	24.5	XAH/XAHD60J	High	1600	53.50	40.00	17.00	9.80
				Intermediate	1225	36.00	22.20		16.10
				Low	1225	27.00	21.80		27.80
HMCG22B601S	TM9E100C20MP12	21.0	XAH/XAHC60H	High	1725	53.50	39.00	17.50	9.80
				Intermediate	1250	36.20	20.80		16.40
				Low	1250	28.20	21.20		29.60
HMCG22B601S	TM9E100C16MP12	24.5	XAF/XAFD60J	High	1500	52.50	38.50	17.00	9.80
				Intermediate	1050	35.00	20.80		16.00
				Low	1050	26.40	20.00		28.30
HMCG22B601S	TM9E080C20MP12	24.5	XAF/XAFD60J	High	1750	54.50	41.50	17.00	9.80
				Intermediate	1225	36.00	22.00		16.25
				Low	1225	27.20	21.80		28.45
HMCG22B601S	TM8Y120C20MP11	24.5	XAF/XAFD60J	High	1725	54.00	41.00	17.50	9.80
				Intermediate	1050	35.20	20.60		16.60
				Low	1050	26.60	19.80		30.60
HMCG22B601S	TM8Y100C20MP11	24.5	XAF/XAFD60J	High	1725	54.00	41.00	17.50	9.80
				Intermediate	1050	35.20	20.60		16.60
				Low	1050	26.60	19.80		30.60
HMCG22B601S	TM8V100C20MP12C	24.5	XAF/XAFD60J	High	1575	53.50	39.50	17.00	9.90
				Intermediate	1075	35.20	20.80		16.30
				Low	1075	26.60	20.20		29.30
HMCG22B601S	TM8E130D20MP11	24.5	XAF/XAF/XAUD60H	High	1675	53.00	38.50	17.00	9.80
				Intermediate	1225	35.80	20.40		16.05
				Low	1225	27.80	21.00		28.35

Table 9: Furnace capacity - 5 ton

Outdoor unit model	Furnace model	Furnace width (in.)	Indoor coil model	Stage	Rated CFM	Net cool (MBH)	Sens cool (MBH)	SEER2	EER2
HMCG22B601S	TMLE130D20MP11	24.5	XAF/XAF/XAUD60H	High	1675	53.00	38.50	17.00	9.80
				Intermediate	1225	35.80	20.40		16.05
				Low	1225	27.80	21.00		28.35
HMCG22B601S	TM8E120C20MP11	21.0	XAF/XAFC60H	High	1650	53.00	38.50	17.00	9.80
				Intermediate	1250	36.00	20.80		16.10
				Low	1250	28.00	21.20		28.50
HMCG22B601S	TMLE120C20MP11	21.0	XAF/XAFC60H	High	1650	53.00	38.50	17.00	9.80
				Intermediate	1250	36.00	20.80		16.10
				Low	1250	28.00	21.20		28.50
HMCG22B601S	TM8E100C20MP11	24.5	XAF/XAF/XAUD60H	High	1725	53.50	39.00	17.00	9.80
				Intermediate	1250	36.00	20.80		16.25
				Low	1250	28.00	21.20		28.95
HMCG22B601S	TMLE100C20MP11	24.5	XAF/XAF/XAUD60H	High	1725	53.50	39.00	17.00	9.80
				Intermediate	1250	36.00	20.80		16.25
				Low	1250	28.00	21.20		28.95
HMCG22B601S	TM8E080C20MP11	24.5	XAF/XAF/XAUD60H	High	1625	53.00	38.50	17.00	9.80
				Intermediate	1200	35.80	20.20		16.10
				Low	1200	27.80	20.80		28.65
HMCG22B601S	TMLE080C20MP11	24.5	XAF/XAF/XAUD60H	High	1625	53.00	38.50	17.00	9.80
				Intermediate	1200	35.80	20.20		16.10
				Low	1200	27.80	20.80		28.65
HMCG22B601S	TL8E100C20UH11	21.0	XAF/XAFC60H	High	1500	52.50	37.20	17.50	10.00
				Intermediate	1050	35.00	18.70		16.45
				Low	1050	27.20	19.30		30.65
HMCG22B601S	TM9Y120D20MP11	24.5	XAH/XAHD60J	High	1650	53.50	37.80	17.00	9.80
				Intermediate	1225	36.00	22.20		16.15
				Low	1225	27.20	22.00		28.05
HMCG22B601S	TM9Y100C20MP11	21.0	XAH/XAHC60H	High	1600	52.50	35.60	17.00	9.80
				Intermediate	1200	35.80	20.20		16.10
				Low	1200	27.80	20.80		28.55
HMCG22B601S	TM9V120D20MP12C	24.5	XAF/XAFD60J	High	1700	54.00	41.00	17.00	9.80
				Intermediate	1025	35.00	20.60		16.35
				Low	1025	26.40	19.50		29.80
HMCG22B601S	TP9C120D20MP13C	24.5	XAF/XAFD60J	High	1700	54.00	41.00	17.00	9.80
				Intermediate	1025	35.00	20.60		16.35
				Low	1025	26.40	19.50		29.80
HMCG22B601S	YP9C120D20MP13C	24.5	XAF/XAFD60J	High	1700	54.00	41.00	17.00	9.80
				Intermediate	1025	35.00	20.60		16.35
				Low	1025	26.40	19.50		29.80
HMCG22B601S	TM9V100C20MP12C	21.0	XAF/XAFC60H	High	1650	53.00	38.50	17.00	9.80
				Intermediate	1050	35.00	18.70		16.10
				Low	1050	27.20	19.50		29.35
HMCG22B601S	TP9C100C20MP13C	21.0	XAF/XAFC60H	High	1650	53.00	38.50	17.00	9.80
				Intermediate	1050	35.00	18.70		16.10
				Low	1050	27.20	19.50		29.35
HMCG22B601S	YP9C100C20MP13C	21.0	XAF/XAFC60H	High	1650	53.00	38.50	17.00	9.80
				Intermediate	1050	35.00	18.70		16.10
				Low	1050	27.20	19.50		29.35
HMCG22B601S	TM9V100C16MP12C	21.0	XAF/XAFC60H	High	1525	52.50	37.60	17.00	9.80
				Intermediate	1050	35.00	18.70		16.10
				Low	1050	27.20	19.50		29.35
HMCG22B601S	TP9C100C16MP13C	21.0	XAF/XAFC60H	High	1525	52.50	37.60	17.00	9.80
				Intermediate	1050	35.00	18.70		16.10
				Low	1050	27.20	19.50		29.35
HMCG22B601S	YP9C100C16MP13C	21.0	XAF/XAFC60H	High	1525	52.50	37.60	17.00	9.80
				Intermediate	1050	35.00	18.70		16.10
				Low	1050	27.20	19.50		29.35
HMCG22B601S	TM9E100C20MP12	24.5	XAH/XAHD60H	High	1725	53.50	39.00	17.00	9.90
				Intermediate	1200	35.80	20.40		16.25
				Low	1200	27.80	20.80		29.10
HMCG22B601S	TM9E100C16MP12	21.0	XAH/XAHC60H	High	1500	52.00	37.20	17.00	9.80
				Intermediate	1075	35.00	18.90		16.15
				Low	1075	27.20	19.60		29.30

Table 9: Furnace capacity - 5 ton

Outdoor unit model	Furnace model	Furnace width (in.)	Indoor coil model	Stage	Rated CFM	Net cool (MBH)	Sens cool (MBH)	SEER2	EER2
HMCG22B601S	TM9E080C20MP12	21.0	XAH/XAHC60H	High	1750	53.50	39.00	17.50	9.80
				Intermediate	1250	36.20	20.80		16.35
				Low	1250	28.20	21.20		29.45
HMCG22B601S	TM8Y120C20MP11	21.0	XAH/XAHC60H	High	1725	53.50	39.50	17.50	9.80
				Intermediate	1075	35.20	18.90		16.70
				Low	1075	27.40	19.50		31.70
HMCG22B601S	TM8Y100C20MP11	21.0	XAH/XAHC60H	High	1725	53.50	39.50	17.50	9.80
				Intermediate	1075	35.20	18.90		16.70
				Low	1075	27.40	19.50		31.70
HMCG22B601S	TM8V100C20MP12C	24.5	XAH/XAHD60H	High	1750	53.50	39.50	17.00	9.80
				Intermediate	1175	35.60	19.90		16.25
				Low	1175	27.80	20.60		29.25
HMCG22B601S	TM8E130D20MP11	24.5	XAF/XAFD60J	High	1675	54.00	40.50	17.00	9.80
				Intermediate	1250	36.20	22.20		16.15
				Low	1250	27.20	22.00		27.90
HMCG22B601S	TMLE130D20MP11	24.5	XAF/XAFD60J	High	1675	54.00	40.50	17.00	9.80
				Intermediate	1250	36.20	22.20		16.15
				Low	1250	27.20	22.00		27.90
HMCG22B601S	TM8E120C20MP11	24.5	XAF/XAF/XAUD60H	High	1650	53.00	38.50	17.00	9.80
				Intermediate	1225	35.80	20.60		16.05
				Low	1225	27.80	21.00		28.25
HMCG22B601S	TMLE120C20MP11	24.5	XAF/XAF/XAUD60H	High	1650	53.00	38.50	17.00	9.80
				Intermediate	1225	35.80	20.60		16.05
				Low	1225	27.80	21.00		28.25
HMCG22B601S	TM8E100C20MP11	24.5	XAF/XAFD60J	High	1725	54.00	41.00	17.00	9.80
				Intermediate	1250	36.20	22.40		16.30
				Low	1250	27.20	22.20		28.40
HMCG22B601S	TMLE100C20MP11	24.5	XAF/XAFD60J	High	1725	54.00	41.00	17.00	9.80
				Intermediate	1250	36.20	22.40		16.30
				Low	1250	27.20	22.20		28.40
HMCG22B601S	TM8E080C20MP11	24.5	XAF/XAFD60J	High	1625	53.50	40.00	17.00	9.80
				Intermediate	1225	36.00	22.00		16.20
				Low	1225	27.20	21.80		28.20
HMCG22B601S	TMLE080C20MP11	24.5	XAF/XAFD60J	High	1625	53.50	40.00	17.00	9.80
				Intermediate	1225	36.00	22.00		16.20
				Low	1225	27.20	21.80		28.20
HMCG22B601S	TL8E100C20UH11	24.5	XAF/XAFD60J	High	1500	53.00	38.50	17.50	10.00
				Intermediate	1050	35.20	20.60		16.40
				Low	1050	26.60	20.00		29.90
HMCG22B601S	TM9Y120D20MP11	24.5	XAF/XAFD60J	High	1675	53.50	38.00	17.00	9.80
				Intermediate	1225	36.00	22.20		16.20
				Low	1225	27.20	21.80		28.15
HMCG22B601S	TM9Y100C20MP11	24.5	XAF/XAF/XAUD60H	High	1575	52.50	38.00	16.50	9.80
				Intermediate	1150	35.40	19.80		15.85
				Low	1150	27.40	20.20		27.95
HMCG22B601S	TM9V100C20MP12C	24.5	XAH/XAHD60J	High	1625	53.50	40.00	17.00	9.80
				Intermediate	975	34.60	20.00		16.15
				Low	975	26.20	19.10		29.20
HMCG22B601S	TP9C100C20MP13C	24.5	XAH/XAHD60J	High	1625	53.50	40.00	17.00	9.80
				Intermediate	975	34.60	20.00		16.15
				Low	975	26.20	19.10		29.20
HMCG22B601S	YP9C100C20MP13C	24.5	XAH/XAHD60J	High	1625	53.50	40.00	17.00	9.80
				Intermediate	975	34.60	20.00		16.15
				Low	975	26.20	19.10		29.20
HMCG22B601S	TM9V100C16MP12C	24.5	XAH/XAHD60H	High	1550	52.50	37.60	17.00	9.80
				Intermediate	1050	35.00	18.70		16.05
				Low	1050	27.00	19.40		29.10
HMCG22B601S	TP9C100C16MP13C	24.5	XAH/XAHD60H	High	1550	52.50	37.60	17.00	9.80
				Intermediate	1050	35.00	18.70		16.05
				Low	1050	27.00	19.40		29.10
HMCG22B601S	YP9C100C16MP13C	24.5	XAH/XAHD60H	High	1550	52.50	37.60	17.00	9.80
				Intermediate	1050	35.00	18.70		16.05
				Low	1050	27.00	19.40		29.10

Table 9: Furnace capacity - 5 ton

Outdoor unit model	Furnace model	Furnace width (in.)	Indoor coil model	Stage	Rated CFM	Net cool (MBH)	Sens cool (MBH)	SEER2	EER2
HMCG22B601S	TM9E120D20MP12	24.5	XAH/XAHD60H	High	1625	53.00	38.50	17.00	9.80
				Intermediate	1225	35.80	20.40		16.10
				Low	1225	27.80	21.00		28.50
HMCG22B601S	TM9E100C20MP12	24.5	XAF/XAFD60J	High	1725	54.50	41.50	17.00	9.90
				Intermediate	1225	36.00	22.00		16.30
				Low	1225	27.20	21.80		28.60
HMCG22B601S	TM9E100C16MP12	24.5	XAF/XAF/XAUD60H	High	1500	52.00	37.20	16.50	9.80
				Intermediate	1025	34.80	18.50		15.90
				Low	1025	27.00	19.20		28.70
HMCG22B601S	TM9E080C20MP12	24.5	XAF/XAF/XAUD60H	High	1750	53.50	39.50	17.00	9.80
				Intermediate	1225	36.00	20.60		16.25
				Low	1225	28.00	21.00		29.00
HMCG22B601S	TM8Y120C20MP11	24.5	XAF/XAF/XAUD60H	High	1725	53.50	39.50	17.50	9.80
				Intermediate	1025	35.00	18.50		16.50
				Low	1025	27.20	19.20		31.00
HMCG22B601S	TM8Y100C20MP11	24.5	XAF/XAF/XAUD60H	High	1725	53.50	39.50	17.50	9.80
				Intermediate	1025	35.00	18.50		16.50
				Low	1025	27.20	19.20		31.00
HMCG22B601S	TM8V100C20MP12C	24.5	XAF/XAF/XAUD60H	High	1750	53.50	39.50	17.00	9.80
				Intermediate	1175	35.60	20.00		16.20
				Low	1175	27.60	20.40		29.10
HMCG22B601S	TM8E120C20MP11	24.5	XAH/XAHD60J	High	1625	53.50	40.00	17.00	9.80
				Intermediate	1250	36.20	22.40		16.10
				Low	1250	27.20	22.20		27.70
HMCG22B601S	TMLE120C20MP11	24.5	XAH/XAHD60J	High	1625	53.50	40.00	17.00	9.80
				Intermediate	1250	36.20	22.40		16.10
				Low	1250	27.20	22.20		27.70
HMCG22B601S	TM8E120C16MP11	21.0	XAH/XAHC60H	High	1500	52.50	37.40	17.00	9.80
				Intermediate	1125	35.40	19.50		16.25
				Low	1125	27.40	20.00		29.45
HMCG22B601S	TMLE120C16MP11	21.0	XAH/XAHC60H	High	1500	52.50	37.40	17.00	9.80
				Intermediate	1125	35.40	19.50		16.25
				Low	1125	27.40	20.00		29.45
HMCG22B601S	TM8E100C20MP11	21.0	XAF/XAFC60H	High	1725	53.50	39.00	17.00	9.80
				Intermediate	1250	36.00	20.80		16.30
				Low	1250	28.00	21.20		29.10
HMCG22B601S	TMLE100C20MP11	21.0	XAF/XAFC60H	High	1725	53.50	39.00	17.00	9.80
				Intermediate	1250	36.00	20.80		16.30
				Low	1250	28.00	21.20		29.10
HMCG22B601S	TM8E080C20MP11	21.0	XAF/XAFC60H	High	1625	53.00	38.50	17.00	9.80
				Intermediate	1225	36.00	20.60		16.20
				Low	1225	28.00	21.00		28.90
HMCG22B601S	TMLE080C20MP11	21.0	XAF/XAFC60H	High	1625	53.00	38.50	17.00	9.80
				Intermediate	1225	36.00	20.60		16.20
				Low	1225	28.00	21.00		28.90
HMCG22B601S	TM9Y100C20MP11	24.5	XAH/XAHD60J	High	1550	53.00	37.00	16.50	9.80
				Intermediate	1175	35.60	21.60		15.95
				Low	1175	26.80	21.20		27.45
HMCG22B601S	TM9V120D20MP12C	24.5	XAH/XAHD60J	High	1700	54.00	41.00	17.00	9.80
				Intermediate	1025	35.00	20.60		16.35
				Low	1025	26.40	19.60		29.75
HMCG22B601S	TP9C120D20MP13C	24.5	XAH/XAHD60J	High	1700	54.00	41.00	17.00	9.80
				Intermediate	1025	35.00	20.60		16.35
				Low	1025	26.40	19.60		29.75
HMCG22B601S	YP9C120D20MP13C	24.5	XAH/XAHD60J	High	1700	54.00	41.00	17.00	9.80
				Intermediate	1025	35.00	20.60		16.35
				Low	1025	26.40	19.60		29.75
HMCG22B601S	TM9V100C20MP12C	24.5	XAF/XAFD60J	High	1650	53.50	40.50	17.00	9.80
				Intermediate	1050	35.00	20.60		16.10
				Low	1050	26.40	19.90		28.70
HMCG22B601S	TP9C100C20MP13C	24.5	XAF/XAFD60J	High	1650	53.50	40.50	17.00	9.80
				Intermediate	1050	35.00	20.60		16.10
				Low	1050	26.40	19.90		28.70

Table 9: Furnace capacity - 5 ton

Outdoor unit model	Furnace model	Furnace width (in.)	Indoor coil model	Stage	Rated CFM	Net cool (MBH)	Sens cool (MBH)	SEER2	EER2
HMCG22B601S	YP9C100C20MP13C	24.5	XAF/XAFD60J	High	1650	53.50	40.50	17.00	9.80
				Intermediate	1050	35.00	20.60		16.10
				Low	1050	26.40	19.90		28.70
HMCG22B601S	TM9V100C16MP12C	24.5	XAF/XAFD60J	High	1650	53.50	40.50	17.00	9.80
				Intermediate	1125	35.40	21.20		16.05
				Low	1125	26.60	20.80		28.10
HMCG22B601S	TP9C100C16MP13C	24.5	XAF/XAFD60J	High	1650	53.50	40.50	17.00	9.80
				Intermediate	1125	35.40	21.20		16.05
				Low	1125	26.60	20.80		28.10
HMCG22B601S	YP9C100C16MP13C	24.5	XAF/XAFD60J	High	1650	53.50	40.50	17.00	9.80
				Intermediate	1125	35.40	21.20		16.05
				Low	1125	26.60	20.80		28.10
HMCG22B601S	TM9E120D20MP12	24.5	XAF/XAF/XAUD60H	High	1650	53.00	38.50	17.00	9.80
				Intermediate	1225	35.80	20.40		16.10
				Low	1225	27.80	21.00		28.50
HMCG22B601S	TM9E100C20MP12	21.0	XAF/XAFC60H	High	1725	53.50	39.00	17.00	9.80
				Intermediate	1225	36.00	20.60		16.30
				Low	1225	28.00	21.00		29.30
HMCG22B601S	TM9E080C20MP12	24.5	XAH/XAHD60J	High	1700	54.50	41.00	17.00	10.00
				Intermediate	1225	36.00	22.00		16.20
				Low	1225	27.20	21.80		28.25
HMCG22B601S	TM8Y120C20MP11	24.5	XAH/XAHD60J	High	1700	54.00	41.00	17.50	9.80
				Intermediate	1050	35.20	20.80		16.55
				Low	1050	26.60	20.00		30.55
HMCG22B601S	TM8Y100C20MP11	24.5	XAH/XAHD60J	High	1700	54.00	41.00	17.50	9.80
				Intermediate	1050	35.20	20.80		16.55
				Low	1050	26.60	20.00		30.55
HMCG22B601S	TM8V120C20MP12C	21.0	XAH/XAHC60H	High	1625	53.00	38.50	17.50	9.80
				Intermediate	1100	35.40	19.20		16.45
				Low	1100	27.40	19.80		30.45
HMCG22B601S	TM8V100C20MP12C	21.0	XAH/XAHC60H	High	1625	53.00	38.50	17.50	9.80
				Intermediate	1100	35.40	19.20		16.45
				Low	1100	27.40	19.80		30.45
HMCG22B601S	TMLV120C20MP12C	21.0	XAH/XAHC60H	High	1625	53.00	38.50	17.50	9.80
				Intermediate	1100	35.40	19.20		16.45
				Low	1100	27.40	19.80		30.45
HMCG22B601S	TPLC100C20MP13C	21.0	XAH/XAHC60H	High	1625	53.00	38.50	17.50	9.80
				Intermediate	1100	35.40	19.20		16.45
				Low	1100	27.40	19.80		30.45
HMCG22B601S	TPLC120C20MP13C	21.0	XAH/XAHC60H	High	1625	53.00	38.50	17.50	9.80
				Intermediate	1100	35.40	19.20		16.45
				Low	1100	27.40	19.80		30.45
HMCG22B601S	YPLC100C20MP13C	21.0	XAH/XAHC60H	High	1625	53.00	38.50	17.50	9.80
				Intermediate	1100	35.40	19.20		16.45
				Low	1100	27.40	19.80		30.45
HMCG22B601S	YPLC120C20MP13C	21.0	XAH/XAHC60H	High	1625	53.00	38.50	17.50	9.80
				Intermediate	1100	35.40	19.20		16.45
				Low	1100	27.40	19.80		30.45
HMCG22B601S	TM8E130D20MP11	24.5	XAH/XAHD60J	High	1650	53.50	40.50	17.00	9.80
				Intermediate	1250	36.20	22.20		16.10
				Low	1250	27.20	22.00		27.80
HMCG22B601S	TMLE130D20MP11	24.5	XAH/XAHD60J	High	1650	53.50	40.50	17.00	9.80
				Intermediate	1250	36.20	22.20		16.10
				Low	1250	27.20	22.00		27.80
HMCG22B601S	TM8E120C20MP11	21.0	XAH/XAHC60H	High	1650	53.00	38.50	17.00	9.80
				Intermediate	1275	36.20	21.00		16.20
				Low	1275	28.20	21.40		28.75
HMCG22B601S	TMLE120C20MP11	21.0	XAH/XAHC60H	High	1650	53.00	38.50	17.00	9.80
				Intermediate	1275	36.20	21.00		16.20
				Low	1275	28.20	21.40		28.75
HMCG22B601S	TM8E100C20MP11	24.5	XAH/XAHD60H	High	1700	53.50	39.00	17.00	9.80
				Intermediate	1250	36.00	20.80		16.25
				Low	1250	28.00	21.20		28.95

Table 9: Furnace capacity - 5 ton

Outdoor unit model	Furnace model	Furnace width (in.)	Indoor coil model	Stage	Rated CFM	Net cool (MBH)	Sens cool (MBH)	SEER2	EER2
HMCG22B601S	TMLE100C20MP11	24.5	XAH/XAHD60H	High	1700	53.50	39.00	17.00	9.80
				Intermediate	1250	36.00	20.80		16.25
				Low	1250	28.00	21.20		28.95
HMCG22B601S	TM8E080C20MP11	24.5	XAH/XAHD60H	High	1700	53.00	39.00	17.00	9.80
				Intermediate	1250	36.00	20.80		16.25
				Low	1250	28.00	21.20		29.05
HMCG22B601S	TMLE080C20MP11	24.5	XAH/XAHD60H	High	1700	53.00	39.00	17.00	9.80
				Intermediate	1250	36.00	20.80		16.25
				Low	1250	28.00	21.20		29.05
HMCG22B601S	TL9E080C16UH11	21.0	XAH/XAHC60H	High	1500	52.00	37.20	17.00	9.80
				Intermediate	1075	35.00	19.00		16.00
				Low	1075	27.20	19.60		28.70
HMCG22B601S	TM9Y120D20MP11	24.5	XAF/XAF/XAUD60H	High	1675	53.00	36.20	17.00	9.80
				Intermediate	1225	36.00	20.60		16.15
				Low	1225	28.00	21.00		28.70
HMCG22B601S	TM9Y100C20MP11	21.0	XAF/XAFC60H	High	1575	52.50	38.00	17.00	9.80
				Intermediate	1175	35.60	20.00		15.95
				Low	1175	27.60	20.60		28.20
HMCG22B601S	TM9V100C20MP12C	21.0	XAH/XAHC60H	High	1650	53.00	38.50	17.00	9.80
				Intermediate	1050	35.00	18.70		16.30
				Low	1050	27.20	19.40		30.15
HMCG22B601S	TP9C100C20MP13C	21.0	XAH/XAHC60H	High	1650	53.00	38.50	17.00	9.80
				Intermediate	1050	35.00	18.70		16.30
				Low	1050	27.20	19.40		30.15
HMCG22B601S	YP9C100C20MP13C	21.0	XAH/XAHC60H	High	1650	53.00	38.50	17.00	9.80
				Intermediate	1050	35.00	18.70		16.30
				Low	1050	27.20	19.40		30.15
HMCG22B601S	TM9V100C16MP12C	21.0	XAH/XAHC60H	High	1650	53.00	38.50	17.00	9.80
				Intermediate	1125	35.40	19.50		16.25
				Low	1125	27.40	20.00		29.45
HMCG22B601S	TP9C100C16MP13C	21.0	XAH/XAHC60H	High	1650	53.00	38.50	17.00	9.80
				Intermediate	1125	35.40	19.50		16.25
				Low	1125	27.40	20.00		29.45
HMCG22B601S	YP9C100C16MP13C	21.0	XAH/XAHC60H	High	1650	53.00	38.50	17.00	9.80
				Intermediate	1125	35.40	19.50		16.25
				Low	1125	27.40	20.00		29.45
HMCG22B601S	TM9E120D20MP12	24.5	XAF/XAFD60J	High	1650	53.50	40.00	17.00	9.80
				Intermediate	1250	36.20	22.20		16.20
				Low	1250	27.20	22.00		28.05
HMCG22B601S	TM9E100C20MP12	24.5	XAF/XAF/XAUD60H	High	1725	53.50	39.00	17.00	9.80
				Intermediate	1200	35.80	20.40		16.20
				Low	1200	27.80	20.80		29.05
HMCG22B601S	TM9E100C16MP12	21.0	XAF/XAFC60H	High	1500	52.00	37.20	17.00	9.80
				Intermediate	1050	35.00	18.70		16.00
				Low	1050	27.00	19.40		29.00
HMCG22B601S	TM9E080C20MP12	21.0	XAF/XAFC60H	High	1750	53.50	39.50	17.00	9.80
				Intermediate	1225	36.00	20.60		16.25
				Low	1225	28.00	21.00		29.15
HMCG22B601S	TM8Y120C20MP11	21.0	XAF/XAFC60H	High	1725	53.50	39.50	17.50	9.80
				Intermediate	1050	35.20	18.70		16.60
				Low	1050	27.20	19.40		31.30
HMCG22B601S	TM8Y100C20MP11	21.0	XAF/XAFC60H	High	1725	53.50	39.50	17.50	9.80
				Intermediate	1050	35.20	18.70		16.60
				Low	1050	27.20	19.40		31.30
HMCG22B601S	TM8V100C20MP12C	21.0	XAF/XAFC60H	High	1575	52.50	37.80	17.00	9.80
				Intermediate	1075	35.20	19.00		16.30
				Low	1075	27.20	19.60		29.95
HMCG22B601S	TM8E120C20MP11	24.5	XAH/XAHD60H	High	1625	53.00	38.50	17.00	9.80
				Intermediate	1250	36.00	20.80		16.10
				Low	1250	28.00	21.20		28.35
HMCG22B601S	TMLE120C20MP11	24.5	XAH/XAHD60H	High	1625	53.00	38.50	17.00	9.80
				Intermediate	1250	36.00	20.80		16.10
				Low	1250	28.00	21.20		28.35

Table 9: Furnace capacity - 5 ton

Outdoor unit model	Furnace model	Furnace width (in.)	Indoor coil model	Stage	Rated CFM	Net cool (MBH)	Sens cool (MBH)	SEER2	EER2
HMCG22B601S	TM8E100C20MP11	24.5	XAH/XAHD60J	High	1675	54.00	40.50	17.00	9.80
				Intermediate	1250	36.20	22.20		16.25
				Low	1250	27.20	22.00		28.25
HMCG22B601S	TMLE100C20MP11	24.5	XAH/XAHD60J	High	1675	54.00	40.50	17.00	9.80
				Intermediate	1250	36.20	22.20		16.25
				Low	1250	27.20	22.00		28.25
HMCG22B601S	TM8E080C20MP11	24.5	XAH/XAHD60J	High	1675	54.00	41.00	17.00	9.80
				Intermediate	1250	36.20	22.40		16.25
				Low	1250	27.20	22.20		28.35
HMCG22B601S	TMLE080C20MP11	24.5	XAH/XAHD60J	High	1675	54.00	41.00	17.00	9.80
				Intermediate	1250	36.20	22.40		16.25
				Low	1250	27.20	22.20		28.35
HMCG22B601S	TL9E100C20UH11	21.0	XAH/XAHC60H	High	1500	52.50	37.40	17.50	9.90
				Intermediate	1125	35.40	19.50		16.35
				Low	1125	27.60	20.20		29.85
HMCG22B601S	TM9Y120D20MP11	24.5	XAH/XAHD60H	High	1675	53.00	36.20	17.00	9.80
				Intermediate	1225	36.00	20.60		16.15
				Low	1225	28.00	21.00		28.80
HMCG22B601S	TM9Y100C20MP11	24.5	XAF/XAFD60J	High	1575	53.00	39.50	16.50	9.80
				Intermediate	1175	35.60	21.60		15.95
				Low	1175	26.80	21.40		27.55
HMCG22B601S	TM9V120D20MP12C	24.5	XAF/XAF/XAUD60H	High	1700	53.50	39.00	17.00	9.80
				Intermediate	1025	34.80	18.40		16.25
				Low	1025	27.00	19.20		30.00
HMCG22B601S	TP9C120D20MP13C	24.5	XAF/XAF/XAUD60H	High	1700	53.50	39.00	17.00	9.80
				Intermediate	1025	34.80	18.40		16.25
				Low	1025	27.00	19.20		30.00
HMCG22B601S	YP9C120D20MP13C	24.5	XAF/XAF/XAUD60H	High	1700	53.50	39.00	17.00	9.80
				Intermediate	1025	34.80	18.40		16.25
				Low	1025	27.00	19.20		30.00
HMCG22B601S	TM9V100C16MP12C	24.5	XAH/XAHD60J	High	1550	53.00	39.00	17.00	9.80
				Intermediate	1050	35.00	20.60		16.10
				Low	1050	26.40	19.90		28.60
HMCG22B601S	TP9C100C16MP13C	24.5	XAH/XAHD60J	High	1550	53.00	39.00	17.00	9.80
				Intermediate	1050	35.00	20.60		16.10
				Low	1050	26.40	19.90		28.60
HMCG22B601S	YP9C100C16MP13C	24.5	XAH/XAHD60J	High	1550	53.00	39.00	17.00	9.80
				Intermediate	1050	35.00	20.60		16.10
				Low	1050	26.40	19.90		28.60
HMCG22B601S	TM9E120D20MP12	24.5	XAH/XAHD60J	High	1600	53.50	40.00	17.00	9.80
				Intermediate	1225	36.00	22.20		16.10
				Low	1225	27.00	21.80		27.80
HMCG22B601S	TM9E100C20MP12	21.0	XAH/XAHC60H	High	1725	53.50	39.00	17.50	9.80
				Intermediate	1250	36.20	20.80		16.40
				Low	1250	28.20	21.20		29.60
HMCG22B601S	TM9E100C16MP12	24.5	XAF/XAFD60J	High	1500	52.50	38.50	17.00	9.80
				Intermediate	1050	35.00	20.80		16.00
				Low	1050	26.40	20.00		28.30
HMCG22B601S	TM9E080C20MP12	24.5	XAF/XAFD60J	High	1750	54.50	41.50	17.00	9.80
				Intermediate	1225	36.00	22.00		16.25
				Low	1225	27.20	21.80		28.45
HMCG22B601S	TM8Y120C20MP11	24.5	XAF/XAFD60J	High	1725	54.00	41.00	17.50	9.80
				Intermediate	1050	35.20	20.60		16.60
				Low	1050	26.60	19.80		30.60
HMCG22B601S	TM8Y100C20MP11	24.5	XAF/XAFD60J	High	1725	54.00	41.00	17.50	9.80
				Intermediate	1050	35.20	20.60		16.60
				Low	1050	26.60	19.80		30.60
HMCG22B601S	TM8V100C20MP12C	24.5	XAF/XAFD60J	High	1575	53.50	39.50	17.00	9.90
				Intermediate	1075	35.20	20.80		16.30
				Low	1075	26.60	20.20		29.30
HMCG22B601S	TM8E130D20MP11	24.5	XAF/XAF/XAUD60H	High	1675	53.00	38.50	17.00	9.80
				Intermediate	1225	35.80	20.40		16.05
				Low	1225	27.80	21.00		28.35

Table 9: Furnace capacity - 5 ton

Outdoor unit model	Furnace model	Furnace width (in.)	Indoor coil model	Stage	Rated CFM	Net cool (MBH)	Sens cool (MBH)	SEER2	EER2
HMCG22B601S	TMLE130D20MP11	24.5	XAF/XAF/XAUD60H	High	1675	53.00	38.50	17.00	9.80
				Intermediate	1225	35.80	20.40		16.05
				Low	1225	27.80	21.00		28.35
HMCG22B601S	TM8E120C20MP11	21.0	XAF/XAFC60H	High	1650	53.00	38.50	17.00	9.80
				Intermediate	1250	36.00	20.80		16.10
				Low	1250	28.00	21.20		28.50
HMCG22B601S	TMLE120C20MP11	21.0	XAF/XAFC60H	High	1650	53.00	38.50	17.00	9.80
				Intermediate	1250	36.00	20.80		16.10
				Low	1250	28.00	21.20		28.50
HMCG22B601S	TM8E100C20MP11	24.5	XAF/XAF/XAUD60H	High	1725	53.50	39.00	17.00	9.80
				Intermediate	1250	36.00	20.80		16.25
				Low	1250	28.00	21.20		28.95
HMCG22B601S	TMLE100C20MP11	24.5	XAF/XAF/XAUD60H	High	1725	53.50	39.00	17.00	9.80
				Intermediate	1250	36.00	20.80		16.25
				Low	1250	28.00	21.20		28.95
HMCG22B601S	TM8E080C20MP11	24.5	XAF/XAF/XAUD60H	High	1625	53.00	38.50	17.00	9.80
				Intermediate	1200	35.80	20.20		16.10
				Low	1200	27.80	20.80		28.65
HMCG22B601S	TMLE080C20MP11	24.5	XAF/XAF/XAUD60H	High	1625	53.00	38.50	17.00	9.80
				Intermediate	1200	35.80	20.20		16.10
				Low	1200	27.80	20.80		28.65
HMCG22B601S	TL8E100C20UH11	21.0	XAF/XAFC60H	High	1500	52.50	37.20	17.50	10.00
				Intermediate	1050	35.00	18.70		16.45
				Low	1050	27.20	19.30		30.65
HMCG22B601S	TM9Y100C20MP11	24.5	XAH/XAHD60J	High	1550	53.00	37.00	16.50	9.80
				Intermediate	1175	35.60	21.60		15.95
				Low	1175	26.80	21.20		27.45
HMCG22B601S	TM9V120D20MP12C	24.5	XAH/XAHD60J	High	1700	54.00	41.00	17.00	9.80
				Intermediate	1025	35.00	20.60		16.35
				Low	1025	26.40	19.60		29.75
HMCG22B601S	TP9C120D20MP13C	24.5	XAH/XAHD60J	High	1700	54.00	41.00	17.00	9.80
				Intermediate	1025	35.00	20.60		16.35
				Low	1025	26.40	19.60		29.75
HMCG22B601S	YP9C120D20MP13C	24.5	XAH/XAHD60J	High	1700	54.00	41.00	17.00	9.80
				Intermediate	1025	35.00	20.60		16.35
				Low	1025	26.40	19.60		29.75
HMCG22B601S	TM9V100C20MP12C	24.5	XAF/XAFD60J	High	1650	53.50	40.50	17.00	9.80
				Intermediate	1050	35.00	20.60		16.10
				Low	1050	26.40	19.90		28.70
HMCG22B601S	TP9C100C20MP13C	24.5	XAF/XAFD60J	High	1650	53.50	40.50	17.00	9.80
				Intermediate	1050	35.00	20.60		16.10
				Low	1050	26.40	19.90		28.70
HMCG22B601S	YP9C100C20MP13C	24.5	XAF/XAFD60J	High	1650	53.50	40.50	17.00	9.80
				Intermediate	1050	35.00	20.60		16.10
				Low	1050	26.40	19.90		28.70
HMCG22B601S	TM9V100C16MP12C	24.5	XAF/XAFD60J	High	1650	53.50	40.50	17.00	9.80
				Intermediate	1125	35.40	21.20		16.05
				Low	1125	26.60	20.80		28.10
HMCG22B601S	TP9C100C16MP13C	24.5	XAF/XAFD60J	High	1650	53.50	40.50	17.00	9.80
				Intermediate	1125	35.40	21.20		16.05
				Low	1125	26.60	20.80		28.10
HMCG22B601S	YP9C100C16MP13C	24.5	XAF/XAFD60J	High	1650	53.50	40.50	17.00	9.80
				Intermediate	1125	35.40	21.20		16.05
				Low	1125	26.60	20.80		28.10
HMCG22B601S	TM9E120D20MP12	24.5	XAF/XAF/XAUD60H	High	1650	53.00	38.50	17.00	9.80
				Intermediate	1225	35.80	20.40		16.10
				Low	1225	27.80	21.00		28.50
HMCG22B601S	TM9E100C20MP12	21.0	XAF/XAFC60H	High	1725	53.50	39.00	17.00	9.80
				Intermediate	1225	36.00	20.60		16.30
				Low	1225	28.00	21.00		29.30
HMCG22B601S	TM9E080C20MP12	24.5	XAH/XAHD60J	High	1700	54.50	41.00	17.00	10.00
				Intermediate	1225	36.00	22.00		16.20
				Low	1225	27.20	21.80		28.25

Table 9: Furnace capacity - 5 ton

Outdoor unit model	Furnace model	Furnace width (in.)	Indoor coil model	Stage	Rated CFM	Net cool (MBH)	Sens cool (MBH)	SEER2	EER2
HMCG22B601S	TM8Y120C20MP11	24.5	XAH/XAHD60J	High	1700	54.00	41.00	17.50	9.80
				Intermediate	1050	35.20	20.80		16.55
				Low	1050	26.60	20.00		30.55
HMCG22B601S	TM8Y100C20MP11	24.5	XAH/XAHD60J	High	1700	54.00	41.00	17.50	9.80
				Intermediate	1050	35.20	20.80		16.55
				Low	1050	26.60	20.00		30.55
HMCG22B601S	TM8V120C20MP12C	21.0	XAH/XAHC60H	High	1625	53.00	38.50	17.50	9.80
				Intermediate	1100	35.40	19.20		16.45
				Low	1100	27.40	19.80		30.45
HMCG22B601S	TM8V100C20MP12C	21.0	XAH/XAHC60H	High	1625	53.00	38.50	17.50	9.80
				Intermediate	1100	35.40	19.20		16.45
				Low	1100	27.40	19.80		30.45
HMCG22B601S	TMLV120C20MP12C	21.0	XAH/XAHC60H	High	1625	53.00	38.50	17.50	9.80
				Intermediate	1100	35.40	19.20		16.45
				Low	1100	27.40	19.80		30.45
HMCG22B601S	TPLC100C20MP13C	21.0	XAH/XAHC60H	High	1625	53.00	38.50	17.50	9.80
				Intermediate	1100	35.40	19.20		16.45
				Low	1100	27.40	19.80		30.45
HMCG22B601S	TPLC120C20MP13C	21.0	XAH/XAHC60H	High	1625	53.00	38.50	17.50	9.80
				Intermediate	1100	35.40	19.20		16.45
				Low	1100	27.40	19.80		30.45
HMCG22B601S	YPLC100C20MP13C	21.0	XAH/XAHC60H	High	1625	53.00	38.50	17.50	9.80
				Intermediate	1100	35.40	19.20		16.45
				Low	1100	27.40	19.80		30.45
HMCG22B601S	YPLC120C20MP13C	21.0	XAH/XAHC60H	High	1625	53.00	38.50	17.50	9.80
				Intermediate	1100	35.40	19.20		16.45
				Low	1100	27.40	19.80		30.45
HMCG22B601S	TM8E130D20MP11	24.5	XAH/XAHD60J	High	1650	53.50	40.50	17.00	9.80
				Intermediate	1250	36.20	22.20		16.10
				Low	1250	27.20	22.00		27.80
HMCG22B601S	TMLE130D20MP11	24.5	XAH/XAHD60J	High	1650	53.50	40.50	17.00	9.80
				Intermediate	1250	36.20	22.20		16.10
				Low	1250	27.20	22.00		27.80
HMCG22B601S	TM8E120C20MP11	21.0	XAH/XAHC60H	High	1650	53.00	38.50	17.00	9.80
				Intermediate	1275	36.20	21.00		16.20
				Low	1275	28.20	21.40		28.75
HMCG22B601S	TMLE120C20MP11	21.0	XAH/XAHC60H	High	1650	53.00	38.50	17.00	9.80
				Intermediate	1275	36.20	21.00		16.20
				Low	1275	28.20	21.40		28.75
HMCG22B601S	TM8E100C20MP11	24.5	XAH/XAHD60H	High	1700	53.50	39.00	17.00	9.80
				Intermediate	1250	36.00	20.80		16.25
				Low	1250	28.00	21.20		28.95
HMCG22B601S	TMLE100C20MP11	24.5	XAH/XAHD60H	High	1700	53.50	39.00	17.00	9.80
				Intermediate	1250	36.00	20.80		16.25
				Low	1250	28.00	21.20		28.95
HMCG22B601S	TM8E080C20MP11	24.5	XAH/XAHD60H	High	1700	53.00	39.00	17.00	9.80
				Intermediate	1250	36.00	20.80		16.25
				Low	1250	28.00	21.20		29.05
HMCG22B601S	TMLE080C20MP11	24.5	XAH/XAHD60H	High	1700	53.00	39.00	17.00	9.80
				Intermediate	1250	36.00	20.80		16.25
				Low	1250	28.00	21.20		29.05
HMCG22B601S	TL9E080C16UH11	21.0	XAH/XAHC60H	High	1500	52.00	37.20	17.00	9.80
				Intermediate	1075	35.00	19.00		16.00
				Low	1075	27.20	19.60		28.70
HMCG22B601S	TM9Y120D20MP11	24.5	XAF/XAF/XAUD60H	High	1675	53.00	36.20	17.00	9.80
				Intermediate	1225	36.00	20.60		16.15
				Low	1225	28.00	21.00		28.70
HMCG22B601S	TM9Y100C20MP11	21.0	XAF/XAFC60H	High	1575	52.50	38.00	17.00	9.80
				Intermediate	1175	35.60	20.00		15.95
				Low	1175	27.60	20.60		28.20
HMCG22B601S	TM9V100C20MP12C	21.0	XAH/XAHC60H	High	1650	53.00	38.50	17.00	9.80
				Intermediate	1050	35.00	18.70		16.30
				Low	1050	27.20	19.40		30.15

Table 9: Furnace capacity - 5 ton

Outdoor unit model	Furnace model	Furnace width (in.)	Indoor coil model	Stage	Rated CFM	Net cool (MBH)	Sens cool (MBH)	SEER2	EER2
HMCG22B601S	TP9C100C20MP13C	21.0	XAH/XAHC60H	High	1650	53.00	38.50	17.00	9.80
				Intermediate	1050	35.00	18.70		16.30
				Low	1050	27.20	19.40		30.15
HMCG22B601S	YP9C100C20MP13C	21.0	XAH/XAHC60H	High	1650	53.00	38.50	17.00	9.80
				Intermediate	1050	35.00	18.70		16.30
				Low	1050	27.20	19.40		30.15
HMCG22B601S	TM9V100C16MP12C	21.0	XAH/XAHC60H	High	1650	53.00	38.50	17.00	9.80
				Intermediate	1125	35.40	19.50		16.25
				Low	1125	27.40	20.00		29.45
HMCG22B601S	TP9C100C16MP13C	21.0	XAH/XAHC60H	High	1650	53.00	38.50	17.00	9.80
				Intermediate	1125	35.40	19.50		16.25
				Low	1125	27.40	20.00		29.45
HMCG22B601S	YP9C100C16MP13C	21.0	XAH/XAHC60H	High	1650	53.00	38.50	17.00	9.80
				Intermediate	1125	35.40	19.50		16.25
				Low	1125	27.40	20.00		29.45
HMCG22B601S	TM9E120D20MP12	24.5	XAF/XAFD60J	High	1650	53.50	40.00	17.00	9.80
				Intermediate	1250	36.20	22.20		16.20
				Low	1250	27.20	22.00		28.05
HMCG22B601S	TM9E100C20MP12	24.5	XAF/XAF/XAUD60H	High	1725	53.50	39.00	17.00	9.80
				Intermediate	1200	35.80	20.40		16.20
				Low	1200	27.80	20.80		29.05
HMCG22B601S	TM9E100C16MP12	21.0	XAF/XAFC60H	High	1500	52.00	37.20	17.00	9.80
				Intermediate	1050	35.00	18.70		16.00
				Low	1050	27.00	19.40		29.00
HMCG22B601S	TM9E080C20MP12	21.0	XAF/XAFC60H	High	1750	53.50	39.50	17.00	9.80
				Intermediate	1225	36.00	20.60		16.25
				Low	1225	28.00	21.00		29.15
HMCG22B601S	TM8Y120C20MP11	21.0	XAF/XAFC60H	High	1725	53.50	39.50	17.50	9.80
				Intermediate	1050	35.20	18.70		16.60
				Low	1050	27.20	19.40		31.30
HMCG22B601S	TM8Y100C20MP11	21.0	XAF/XAFC60H	High	1725	53.50	39.50	17.50	9.80
				Intermediate	1050	35.20	18.70		16.60
				Low	1050	27.20	19.40		31.30
HMCG22B601S	TM8V100C20MP12C	21.0	XAF/XAFC60H	High	1575	52.50	37.80	17.00	9.80
				Intermediate	1075	35.20	19.00		16.30
				Low	1075	27.20	19.60		29.95
HMCG22B601S	TM8E120C20MP11	24.5	XAH/XAHD60H	High	1625	53.00	38.50	17.00	9.80
				Intermediate	1250	36.00	20.80		16.10
				Low	1250	28.00	21.20		28.35
HMCG22B601S	TMLE120C20MP11	24.5	XAH/XAHD60H	High	1625	53.00	38.50	17.00	9.80
				Intermediate	1250	36.00	20.80		16.10
				Low	1250	28.00	21.20		28.35
HMCG22B601S	TM8E100C20MP11	24.5	XAH/XAHD60J	High	1675	54.00	40.50	17.00	9.80
				Intermediate	1250	36.20	22.20		16.25
				Low	1250	27.20	22.00		28.25
HMCG22B601S	TMLE100C20MP11	24.5	XAH/XAHD60J	High	1675	54.00	40.50	17.00	9.80
				Intermediate	1250	36.20	22.20		16.25
				Low	1250	27.20	22.00		28.25
HMCG22B601S	TM8E080C20MP11	24.5	XAH/XAHD60J	High	1675	54.00	41.00	17.00	9.80
				Intermediate	1250	36.20	22.40		16.25
				Low	1250	27.20	22.20		28.35
HMCG22B601S	TMLE080C20MP11	24.5	XAH/XAHD60J	High	1675	54.00	41.00	17.00	9.80
				Intermediate	1250	36.20	22.40		16.25
				Low	1250	27.20	22.20		28.35
HMCG22B601S	TL9E100C20UH11	21.0	XAH/XAHC60H	High	1500	52.50	37.40	17.50	9.90
				Intermediate	1125	35.40	19.50		16.35
				Low	1125	27.60	20.20		29.85
HMCG22B601S	TM9Y120D20MP11	24.5	XAH/XAHD60J	High	1650	53.50	37.80	17.00	9.80
				Intermediate	1225	36.00	22.20		16.15
				Low	1225	27.20	22.00		28.05
HMCG22B601S	TM9Y100C20MP11	21.0	XAH/XAHC60H	High	1600	52.50	35.60	17.00	9.80
				Intermediate	1200	35.80	20.20		16.10
				Low	1200	27.80	20.80		28.55

Table 9: Furnace capacity - 5 ton

Outdoor unit model	Furnace model	Furnace width (in.)	Indoor coil model	Stage	Rated CFM	Net cool (MBH)	Sens cool (MBH)	SEER2	EER2
HMCG22B601S	TM9V120D20MP12C	24.5	XAF/XAFD60J	High	1700	54.00	41.00	17.00	9.80
				Intermediate	1025	35.00	20.60		16.35
				Low	1025	26.40	19.50		29.80
HMCG22B601S	TP9C120D20MP13C	24.5	XAF/XAFD60J	High	1700	54.00	41.00	17.00	9.80
				Intermediate	1025	35.00	20.60		16.35
				Low	1025	26.40	19.50		29.80
HMCG22B601S	YP9C120D20MP13C	24.5	XAF/XAFD60J	High	1700	54.00	41.00	17.00	9.80
				Intermediate	1025	35.00	20.60		16.35
				Low	1025	26.40	19.50		29.80
HMCG22B601S	TM9V100C20MP12C	21.0	XAF/XAFC60H	High	1650	53.00	38.50	17.00	9.80
				Intermediate	1050	35.00	18.70		16.10
				Low	1050	27.20	19.50		29.35
HMCG22B601S	TP9C100C20MP13C	21.0	XAF/XAFC60H	High	1650	53.00	38.50	17.00	9.80
				Intermediate	1050	35.00	18.70		16.10
				Low	1050	27.20	19.50		29.35
HMCG22B601S	YP9C100C20MP13C	21.0	XAF/XAFC60H	High	1650	53.00	38.50	17.00	9.80
				Intermediate	1050	35.00	18.70		16.10
				Low	1050	27.20	19.50		29.35
HMCG22B601S	TM9V100C16MP12C	21.0	XAF/XAFC60H	High	1525	52.50	37.60	17.00	9.80
				Intermediate	1050	35.00	18.70		16.10
				Low	1050	27.20	19.50		29.35
HMCG22B601S	TP9C100C16MP13C	21.0	XAF/XAFC60H	High	1525	52.50	37.60	17.00	9.80
				Intermediate	1050	35.00	18.70		16.10
				Low	1050	27.20	19.50		29.35
HMCG22B601S	YP9C100C16MP13C	21.0	XAF/XAFC60H	High	1525	52.50	37.60	17.00	9.80
				Intermediate	1050	35.00	18.70		16.10
				Low	1050	27.20	19.50		29.35
HMCG22B601S	TM9E100C20MP12	24.5	XAH/XAHD60H	High	1725	53.50	39.00	17.00	9.90
				Intermediate	1200	35.80	20.40		16.25
				Low	1200	27.80	20.80		29.10
HMCG22B601S	TM9E100C16MP12	21.0	XAH/XAHC60H	High	1500	52.00	37.20	17.00	9.80
				Intermediate	1075	35.00	18.90		16.15
				Low	1075	27.20	19.60		29.30
HMCG22B601S	TM9E080C20MP12	21.0	XAH/XAHC60H	High	1750	53.50	39.00	17.50	9.80
				Intermediate	1250	36.20	20.80		16.35
				Low	1250	28.20	21.20		29.45
HMCG22B601S	TM8Y120C20MP11	21.0	XAH/XAHC60H	High	1725	53.50	39.50	17.50	9.80
				Intermediate	1075	35.20	18.90		16.70
				Low	1075	27.40	19.50		31.70
HMCG22B601S	TM8Y100C20MP11	21.0	XAH/XAHC60H	High	1725	53.50	39.50	17.50	9.80
				Intermediate	1075	35.20	18.90		16.70
				Low	1075	27.40	19.50		31.70
HMCG22B601S	TM8V100C20MP12C	24.5	XAH/XAHD60H	High	1750	53.50	39.50	17.00	9.80
				Intermediate	1175	35.60	19.90		16.25
				Low	1175	27.80	20.60		29.25
HMCG22B601S	TM8E130D20MP11	24.5	XAF/XAFD60J	High	1675	54.00	40.50	17.00	9.80
				Intermediate	1250	36.20	22.20		16.15
				Low	1250	27.20	22.00		27.90
HMCG22B601S	TMLE130D20MP11	24.5	XAF/XAFD60J	High	1675	54.00	40.50	17.00	9.80
				Intermediate	1250	36.20	22.20		16.15
				Low	1250	27.20	22.00		27.90
HMCG22B601S	TM8E120C20MP11	24.5	XAF/XAF/XAUD60H	High	1650	53.00	38.50	17.00	9.80
				Intermediate	1225	35.80	20.60		16.05
				Low	1225	27.80	21.00		28.25
HMCG22B601S	TMLE120C20MP11	24.5	XAF/XAF/XAUD60H	High	1650	53.00	38.50	17.00	9.80
				Intermediate	1225	35.80	20.60		16.05
				Low	1225	27.80	21.00		28.25
HMCG22B601S	TM8E100C20MP11	24.5	XAF/XAFD60J	High	1725	54.00	41.00	17.00	9.80
				Intermediate	1250	36.20	22.40		16.30
				Low	1250	27.20	22.20		28.40
HMCG22B601S	TMLE100C20MP11	24.5	XAF/XAFD60J	High	1725	54.00	41.00	17.00	9.80
				Intermediate	1250	36.20	22.40		16.30
				Low	1250	27.20	22.20		28.40

Table 9: Furnace capacity - 5 ton

Outdoor unit model	Furnace model	Furnace width (in.)	Indoor coil model	Stage	Rated CFM	Net cool (MBH)	Sens cool (MBH)	SEER2	EER2
HMCG22B601S	TM8E080C20MP11	24.5	XAF/XAFD60J	High	1625	53.50	40.00	17.00	9.80
				Intermediate	1225	36.00	22.00		16.20
				Low	1225	27.20	21.80		28.20
HMCG22B601S	TMLE080C20MP11	24.5	XAF/XAFD60J	High	1625	53.50	40.00	17.00	9.80
				Intermediate	1225	36.00	22.00		16.20
				Low	1225	27.20	21.80		28.20
HMCG22B601S	TL8E100C20UH11	24.5	XAF/XAFD60J	High	1500	53.00	38.50	17.50	10.00
				Intermediate	1050	35.20	20.60		16.40
				Low	1050	26.60	20.00		29.90
HMCG22B601S	TM9Y100C20MP11	24.5	XAH/XAHD60H	High	1550	52.50	35.60	16.50	9.80
				Intermediate	1150	35.40	19.80		15.85
				Low	1150	27.40	20.20		27.95
HMCG22B601S	TM9V120D20MP12C	24.5	XAH/XAHD60H	High	1700	53.50	39.00	17.00	9.80
				Intermediate	1025	34.80	18.40		16.30
				Low	1025	27.00	19.20		30.25
HMCG22B601S	TP9C120D20MP13C	24.5	XAH/XAHD60H	High	1700	53.50	39.00	17.00	9.80
				Intermediate	1025	34.80	18.40		16.30
				Low	1025	27.00	19.20		30.25
HMCG22B601S	YP9C120D20MP13C	24.5	XAH/XAHD60H	High	1700	53.50	39.00	17.00	9.80
				Intermediate	1025	34.80	18.40		16.30
				Low	1025	27.00	19.20		30.25
HMCG22B601S	TM9V100C20MP12C	24.5	XAF/XAF/XAUD60H	High	1650	53.00	38.50	17.00	9.80
				Intermediate	1050	34.80	18.70		16.00
				Low	1050	27.00	19.40		28.85
HMCG22B601S	TP9C100C20MP13C	24.5	XAF/XAF/XAUD60H	High	1650	53.00	38.50	17.00	9.80
				Intermediate	1050	34.80	18.70		16.00
				Low	1050	27.00	19.40		28.85
HMCG22B601S	YP9C100C20MP13C	24.5	XAF/XAF/XAUD60H	High	1650	53.00	38.50	17.00	9.80
				Intermediate	1050	34.80	18.70		16.00
				Low	1050	27.00	19.40		28.85
HMCG22B601S	TM9V100C16MP12C	24.5	XAF/XAF/XAUD60H	High	1650	53.00	38.50	16.50	9.80
				Intermediate	1150	35.40	19.70		15.95
				Low	1150	27.40	20.20		28.30
HMCG22B601S	TP9C100C16MP13C	24.5	XAF/XAF/XAUD60H	High	1650	53.00	38.50	16.50	9.80
				Intermediate	1150	35.40	19.70		15.95
				Low	1150	27.40	20.20		28.30
HMCG22B601S	YP9C100C16MP13C	24.5	XAF/XAF/XAUD60H	High	1650	53.00	38.50	16.50	9.80
				Intermediate	1150	35.40	19.70		15.95
				Low	1150	27.40	20.20		28.30
HMCG22B601S	TM9E100C20MP12	24.5	XAH/XAHD60J	High	1700	54.50	41.00	17.00	10.00
				Intermediate	1225	36.00	22.00		16.25
				Low	1225	27.20	21.80		28.45
HMCG22B601S	TM9E100C16MP12	24.5	XAH/XAHD60H	High	1500	52.00	37.20	17.00	9.80
				Intermediate	1050	34.80	18.70		16.00
				Low	1050	27.00	19.40		28.90
HMCG22B601S	TM9E080C20MP12	24.5	XAH/XAHD60H	High	1750	54.00	39.50	17.00	9.90
				Intermediate	1225	36.00	20.60		16.25
				Low	1225	28.00	21.00		29.05
HMCG22B601S	TM8Y120C20MP11	24.5	XAH/XAHD60H	High	1725	53.50	39.50	17.50	9.80
				Intermediate	1025	35.00	18.40		16.50
				Low	1025	27.20	19.20		31.10
HMCG22B601S	TM8Y100C20MP11	24.5	XAH/XAHD60H	High	1725	53.50	39.50	17.50	9.80
				Intermediate	1025	35.00	18.40		16.50
				Low	1025	27.20	19.20		31.10
HMCG22B601S	TM8V100C20MP12C	24.5	XAH/XAHD60J	High	1750	54.00	41.50	17.00	9.80
				Intermediate	1175	35.80	21.60		16.25
				Low	1175	27.00	21.40		28.60
HMCG22B601S	TM8E130D20MP11	24.5	XAH/XAHD60H	High	1675	53.00	38.50	17.00	9.80
				Intermediate	1250	36.00	20.80		16.15
				Low	1250	28.00	21.20		28.55
HMCG22B601S	TMLE130D20MP11	24.5	XAH/XAHD60H	High	1675	53.00	38.50	17.00	9.80
				Intermediate	1250	36.00	20.80		16.15
				Low	1250	28.00	21.20		28.55

Table 9: Furnace capacity - 5 ton

Outdoor unit model	Furnace model	Furnace width (in.)	Indoor coil model	Stage	Rated CFM	Net cool (MBH)	Sens cool (MBH)	SEER2	EER2
HMCG22B601S	TM8E120C20MP11	24.5	XAF/XAFD60J	High	1650	54.00	40.50	17.00	9.80
				Intermediate	1250	36.20	22.20		16.10
				Low	1250	27.20	22.00		27.80
HMCG22B601S	TMLE120C20MP11	24.5	XAF/XAFD60J	High	1650	54.00	40.50	17.00	9.80
				Intermediate	1250	36.20	22.20		16.10
				Low	1250	27.20	22.00		27.80
HMCG22B601S	TM8E100C20MP11	21.0	XAH/XAHC60H	High	1625	53.00	38.50	17.00	9.80
				Intermediate	1250	36.00	20.80		16.30
				Low	1250	28.00	21.20		29.15
HMCG22B601S	TMLE100C20MP11	21.0	XAH/XAHC60H	High	1625	53.00	38.50	17.00	9.80
				Intermediate	1250	36.00	20.80		16.30
				Low	1250	28.00	21.20		29.15
HMCG22B601S	TM8E080C20MP11	21.0	XAH/XAHC60H	High	1625	53.00	38.50	17.00	9.80
				Intermediate	1250	36.20	20.80		16.30
				Low	1250	28.00	21.20		29.20
HMCG22B601S	TMLE080C20MP11	21.0	XAH/XAHC60H	High	1625	53.00	38.50	17.00	9.80
				Intermediate	1250	36.20	20.80		16.30
				Low	1250	28.00	21.20		29.20
HMCG22B601S	TL8E100C20UH11	21.0	XAH/XAHC60H	High	1500	52.50	37.20	17.50	10.00
				Intermediate	1075	35.20	19.00		16.55
				Low	1075	27.40	19.60		30.95
HMCG22B601S	TM9Y120D20MP11	24.5	XAF/XAFD60J	High	1675	53.50	38.00	17.00	9.80
				Intermediate	1225	36.00	22.20		16.20
				Low	1225	27.20	21.80		28.15
HMCG22B601S	TM9Y100C20MP11	24.5	XAF/XAF/XAUD60H	High	1575	52.50	38.00	16.50	9.80
				Intermediate	1150	35.40	19.80		15.85
				Low	1150	27.40	20.20		27.95
HMCG22B601S	TM9V100C20MP12C	24.5	XAH/XAHD60J	High	1625	53.50	40.00	17.00	9.80
				Intermediate	975	34.60	20.00		16.15
				Low	975	26.20	19.10		29.20
HMCG22B601S	TP9C100C20MP13C	24.5	XAH/XAHD60J	High	1625	53.50	40.00	17.00	9.80
				Intermediate	975	34.60	20.00		16.15
				Low	975	26.20	19.10		29.20
HMCG22B601S	YP9C100C20MP13C	24.5	XAH/XAHD60J	High	1625	53.50	40.00	17.00	9.80
				Intermediate	975	34.60	20.00		16.15
				Low	975	26.20	19.10		29.20
HMCG22B601S	TM9V100C16MP12C	24.5	XAH/XAHD60H	High	1550	52.50	37.60	17.00	9.80
				Intermediate	1050	35.00	18.70		16.05
				Low	1050	27.00	19.40		29.10
HMCG22B601S	TP9C100C16MP13C	24.5	XAH/XAHD60H	High	1550	52.50	37.60	17.00	9.80
				Intermediate	1050	35.00	18.70		16.05
				Low	1050	27.00	19.40		29.10
HMCG22B601S	YP9C100C16MP13C	24.5	XAH/XAHD60H	High	1550	52.50	37.60	17.00	9.80
				Intermediate	1050	35.00	18.70		16.05
				Low	1050	27.00	19.40		29.10
HMCG22B601S	TM9E120D20MP12	24.5	XAH/XAHD60H	High	1625	53.00	38.50	17.00	9.80
				Intermediate	1225	35.80	20.40		16.10
				Low	1225	27.80	21.00		28.50
HMCG22B601S	TM9E100C20MP12	24.5	XAF/XAFD60J	High	1725	54.50	41.50	17.00	9.90
				Intermediate	1225	36.00	22.00		16.30
				Low	1225	27.20	21.80		28.60
HMCG22B601S	TM9E100C16MP12	24.5	XAF/XAF/XAUD60H	High	1500	52.00	37.20	16.50	9.80
				Intermediate	1025	34.80	18.50		15.90
				Low	1025	27.00	19.20		28.70
HMCG22B601S	TM9E080C20MP12	24.5	XAF/XAF/XAUD60H	High	1750	53.50	39.50	17.00	9.80
				Intermediate	1225	36.00	20.60		16.25
				Low	1225	28.00	21.00		29.00
HMCG22B601S	TM8Y120C20MP11	24.5	XAF/XAF/XAUD60H	High	1725	53.50	39.50	17.50	9.80
				Intermediate	1025	35.00	18.50		16.50
				Low	1025	27.20	19.20		31.00
HMCG22B601S	TM8Y100C20MP11	24.5	XAF/XAF/XAUD60H	High	1725	53.50	39.50	17.50	9.80
				Intermediate	1025	35.00	18.50		16.50
				Low	1025	27.20	19.20		31.00

Table 9: Furnace capacity - 5 ton

Outdoor unit model	Furnace model	Furnace width (in.)	Indoor coil model	Stage	Rated CFM	Net cool (MBH)	Sens cool (MBH)	SEER2	EER2
HMCG22B601S	TM8V100C20MP12C	24.5	XAF/XAF/XAUD60H	High	1750	53.50	39.50	17.00	9.80
				Intermediate	1175	35.60	20.00		16.20
				Low	1175	27.60	20.40		29.10
HMCG22B601S	TM8E120C20MP11	24.5	XAH/XAHD60J	High	1625	53.50	40.00	17.00	9.80
				Intermediate	1250	36.20	22.40		16.10
				Low	1250	27.20	22.20		27.70
HMCG22B601S	TMLE120C20MP11	24.5	XAH/XAHD60J	High	1625	53.50	40.00	17.00	9.80
				Intermediate	1250	36.20	22.40		16.10
				Low	1250	27.20	22.20		27.70
HMCG22B601S	TM8E120C16MP11	21.0	XAH/XAHC60H	High	1500	52.50	37.40	17.00	9.80
				Intermediate	1125	35.40	19.50		16.25
				Low	1125	27.40	20.00		29.45
HMCG22B601S	TMLE120C16MP11	21.0	XAH/XAHC60H	High	1500	52.50	37.40	17.00	9.80
				Intermediate	1125	35.40	19.50		16.25
				Low	1125	27.40	20.00		29.45
HMCG22B601S	TM8E100C20MP11	21.0	XAF/XAFC60H	High	1725	53.50	39.00	17.00	9.80
				Intermediate	1250	36.00	20.80		16.30
				Low	1250	28.00	21.20		29.10
HMCG22B601S	TMLE100C20MP11	21.0	XAF/XAFC60H	High	1725	53.50	39.00	17.00	9.80
				Intermediate	1250	36.00	20.80		16.30
				Low	1250	28.00	21.20		29.10
HMCG22B601S	TM8E080C20MP11	21.0	XAF/XAFC60H	High	1625	53.00	38.50	17.00	9.80
				Intermediate	1225	36.00	20.60		16.20
				Low	1225	28.00	21.00		28.90
HMCG22B601S	TMLE080C20MP11	21.0	XAF/XAFC60H	High	1625	53.00	38.50	17.00	9.80
				Intermediate	1225	36.00	20.60		16.20
				Low	1225	28.00	21.00		28.90
HMCG22B601S	TM9Y120D20MP11	24.5	XAF/XAFD60J	High	1675	53.50	38.00	17.00	9.80
				Intermediate	1225	36.00	22.20		16.20
				Low	1225	27.20	21.80		28.15
HMCG22B601S	TM9Y100C20MP11	24.5	XAF/XAF/XAUD60H	High	1575	52.50	38.00	16.50	9.80
				Intermediate	1150	35.40	19.80		15.85
				Low	1150	27.40	20.20		27.95
HMCG22B601S	TM9V100C20MP12C	24.5	XAH/XAHD60J	High	1625	53.50	40.00	17.00	9.80
				Intermediate	975	34.60	20.00		16.15
				Low	975	26.20	19.10		29.20
HMCG22B601S	TP9C100C20MP13C	24.5	XAH/XAHD60J	High	1625	53.50	40.00	17.00	9.80
				Intermediate	975	34.60	20.00		16.15
				Low	975	26.20	19.10		29.20
HMCG22B601S	YP9C100C20MP13C	24.5	XAH/XAHD60J	High	1625	53.50	40.00	17.00	9.80
				Intermediate	975	34.60	20.00		16.15
				Low	975	26.20	19.10		29.20
HMCG22B601S	TM9V100C16MP12C	24.5	XAH/XAHD60H	High	1550	52.50	37.60	17.00	9.80
				Intermediate	1050	35.00	18.70		16.05
				Low	1050	27.00	19.40		29.10
HMCG22B601S	TP9C100C16MP13C	24.5	XAH/XAHD60H	High	1550	52.50	37.60	17.00	9.80
				Intermediate	1050	35.00	18.70		16.05
				Low	1050	27.00	19.40		29.10
HMCG22B601S	YP9C100C16MP13C	24.5	XAH/XAHD60H	High	1550	52.50	37.60	17.00	9.80
				Intermediate	1050	35.00	18.70		16.05
				Low	1050	27.00	19.40		29.10
HMCG22B601S	TM9E120D20MP12	24.5	XAH/XAHD60H	High	1625	53.00	38.50	17.00	9.80
				Intermediate	1225	35.80	20.40		16.10
				Low	1225	27.80	21.00		28.50
HMCG22B601S	TM9E100C20MP12	24.5	XAF/XAFD60J	High	1725	54.50	41.50	17.00	9.90
				Intermediate	1225	36.00	22.00		16.30
				Low	1225	27.20	21.80		28.60
HMCG22B601S	TM9E100C16MP12	24.5	XAF/XAF/XAUD60H	High	1500	52.00	37.20	16.50	9.80
				Intermediate	1025	34.80	18.50		15.90
				Low	1025	27.00	19.20		28.70
HMCG22B601S	TM9E080C20MP12	24.5	XAF/XAF/XAUD60H	High	1750	53.50	39.50	17.00	9.80
				Intermediate	1225	36.00	20.60		16.25
				Low	1225	28.00	21.00		29.00

Table 9: Furnace capacity - 5 ton

Outdoor unit model	Furnace model	Furnace width (in.)	Indoor coil model	Stage	Rated CFM	Net cool (MBH)	Sens cool (MBH)	SEER2	EER2
HMCG22B601S	TM8Y120C20MP11	24.5	XAF/XAF/XAUD60H	High	1725	53.50	39.50	17.50	9.80
				Intermediate	1025	35.00	18.50		16.50
				Low	1025	27.20	19.20		31.00
HMCG22B601S	TM8Y100C20MP11	24.5	XAF/XAF/XAUD60H	High	1725	53.50	39.50	17.50	9.80
				Intermediate	1025	35.00	18.50		16.50
				Low	1025	27.20	19.20		31.00
HMCG22B601S	TM8V100C20MP12C	24.5	XAF/XAF/XAUD60H	High	1750	53.50	39.50	17.00	9.80
				Intermediate	1175	35.60	20.00		16.20
				Low	1175	27.60	20.40		29.10
HMCG22B601S	TM8E120C20MP11	24.5	XAH/XAHD60J	High	1625	53.50	40.00	17.00	9.80
				Intermediate	1250	36.20	22.40		16.10
				Low	1250	27.20	22.20		27.70
HMCG22B601S	TMLE120C20MP11	24.5	XAH/XAHD60J	High	1625	53.50	40.00	17.00	9.80
				Intermediate	1250	36.20	22.40		16.10
				Low	1250	27.20	22.20		27.70
HMCG22B601S	TM8E120C16MP11	21.0	XAH/XAHC60H	High	1500	52.50	37.40	17.00	9.80
				Intermediate	1125	35.40	19.50		16.25
				Low	1125	27.40	20.00		29.45
HMCG22B601S	TMLE120C16MP11	21.0	XAH/XAHC60H	High	1500	52.50	37.40	17.00	9.80
				Intermediate	1125	35.40	19.50		16.25
				Low	1125	27.40	20.00		29.45
HMCG22B601S	TM8E100C20MP11	21.0	XAF/XAFC60H	High	1725	53.50	39.00	17.00	9.80
				Intermediate	1250	36.00	20.80		16.30
				Low	1250	28.00	21.20		29.10
HMCG22B601S	TMLE100C20MP11	21.0	XAF/XAFC60H	High	1725	53.50	39.00	17.00	9.80
				Intermediate	1250	36.00	20.80		16.30
				Low	1250	28.00	21.20		29.10
HMCG22B601S	TM8E080C20MP11	21.0	XAF/XAFC60H	High	1625	53.00	38.50	17.00	9.80
				Intermediate	1225	36.00	20.60		16.20
				Low	1225	28.00	21.00		28.90
HMCG22B601S	TMLE080C20MP11	21.0	XAF/XAFC60H	High	1625	53.00	38.50	17.00	9.80
				Intermediate	1225	36.00	20.60		16.20
				Low	1225	28.00	21.00		28.90
HMCG22B601S	TM9Y120D20MP11	24.5	XAH/XAHD60H	High	1675	53.00	36.20	17.00	9.80
				Intermediate	1225	36.00	20.60		16.15
				Low	1225	28.00	21.00		28.80
HMCG22B601S	TM9Y100C20MP11	24.5	XAF/XAFD60J	High	1575	53.00	39.50	16.50	9.80
				Intermediate	1175	35.60	21.60		15.95
				Low	1175	26.80	21.40		27.55
HMCG22B601S	TM9V120D20MP12C	24.5	XAF/XAF/XAUD60H	High	1700	53.50	39.00	17.00	9.80
				Intermediate	1025	34.80	18.40		16.25
				Low	1025	27.00	19.20		30.00
HMCG22B601S	TP9C120D20MP13C	24.5	XAF/XAF/XAUD60H	High	1700	53.50	39.00	17.00	9.80
				Intermediate	1025	34.80	18.40		16.25
				Low	1025	27.00	19.20		30.00
HMCG22B601S	YP9C120D20MP13C	24.5	XAF/XAF/XAUD60H	High	1700	53.50	39.00	17.00	9.80
				Intermediate	1025	34.80	18.40		16.25
				Low	1025	27.00	19.20		30.00
HMCG22B601S	TM9V100C16MP12C	24.5	XAH/XAHD60J	High	1550	53.00	39.00	17.00	9.80
				Intermediate	1050	35.00	20.60		16.10
				Low	1050	26.40	19.90		28.60
HMCG22B601S	TP9C100C16MP13C	24.5	XAH/XAHD60J	High	1550	53.00	39.00	17.00	9.80
				Intermediate	1050	35.00	20.60		16.10
				Low	1050	26.40	19.90		28.60
HMCG22B601S	YP9C100C16MP13C	24.5	XAH/XAHD60J	High	1550	53.00	39.00	17.00	9.80
				Intermediate	1050	35.00	20.60		16.10
				Low	1050	26.40	19.90		28.60
HMCG22B601S	TM9E120D20MP12	24.5	XAH/XAHD60J	High	1600	53.50	40.00	17.00	9.80
				Intermediate	1225	36.00	22.20		16.10
				Low	1225	27.00	21.80		27.80
HMCG22B601S	TM9E100C20MP12	21.0	XAH/XAHC60H	High	1725	53.50	39.00	17.50	9.80
				Intermediate	1250	36.20	20.80		16.40
				Low	1250	28.20	21.20		29.60

Table 9: Furnace capacity - 5 ton

Outdoor unit model	Furnace model	Furnace width (in.)	Indoor coil model	Stage	Rated CFM	Net cool (MBH)	Sens cool (MBH)	SEER2	EER2
HMCG22B601S	TM9E100C16MP12	24.5	XAF/XAFD60J	High	1500	52.50	38.50	17.00	9.80
				Intermediate	1050	35.00	20.80		16.00
				Low	1050	26.40	20.00		28.30
HMCG22B601S	TM9E080C20MP12	24.5	XAF/XAFD60J	High	1750	54.50	41.50	17.00	9.80
				Intermediate	1225	36.00	22.00		16.25
				Low	1225	27.20	21.80		28.45
HMCG22B601S	TM8Y120C20MP11	24.5	XAF/XAFD60J	High	1725	54.00	41.00	17.50	9.80
				Intermediate	1050	35.20	20.60		16.60
				Low	1050	26.60	19.80		30.60
HMCG22B601S	TM8Y100C20MP11	24.5	XAF/XAFD60J	High	1725	54.00	41.00	17.50	9.80
				Intermediate	1050	35.20	20.60		16.60
				Low	1050	26.60	19.80		30.60
HMCG22B601S	TM8V100C20MP12C	24.5	XAF/XAFD60J	High	1575	53.50	39.50	17.00	9.90
				Intermediate	1075	35.20	20.80		16.30
				Low	1075	26.60	20.20		29.30
HMCG22B601S	TM8E130D20MP11	24.5	XAF/XAF/XAUD60H	High	1675	53.00	38.50	17.00	9.80
				Intermediate	1225	35.80	20.40		16.05
				Low	1225	27.80	21.00		28.35
HMCG22B601S	TMLE130D20MP11	24.5	XAF/XAF/XAUD60H	High	1675	53.00	38.50	17.00	9.80
				Intermediate	1225	35.80	20.40		16.05
				Low	1225	27.80	21.00		28.35
HMCG22B601S	TM8E120C20MP11	21.0	XAF/XAFC60H	High	1650	53.00	38.50	17.00	9.80
				Intermediate	1250	36.00	20.80		16.10
				Low	1250	28.00	21.20		28.50
HMCG22B601S	TMLE120C20MP11	21.0	XAF/XAFC60H	High	1650	53.00	38.50	17.00	9.80
				Intermediate	1250	36.00	20.80		16.10
				Low	1250	28.00	21.20		28.50
HMCG22B601S	TM8E100C20MP11	24.5	XAF/XAF/XAUD60H	High	1725	53.50	39.00	17.00	9.80
				Intermediate	1250	36.00	20.80		16.25
				Low	1250	28.00	21.20		28.95
HMCG22B601S	TMLE100C20MP11	24.5	XAF/XAF/XAUD60H	High	1725	53.50	39.00	17.00	9.80
				Intermediate	1250	36.00	20.80		16.25
				Low	1250	28.00	21.20		28.95
HMCG22B601S	TM8E080C20MP11	24.5	XAF/XAF/XAUD60H	High	1625	53.00	38.50	17.00	9.80
				Intermediate	1200	35.80	20.20		16.10
				Low	1200	27.80	20.80		28.65
HMCG22B601S	TMLE080C20MP11	24.5	XAF/XAF/XAUD60H	High	1625	53.00	38.50	17.00	9.80
				Intermediate	1200	35.80	20.20		16.10
				Low	1200	27.80	20.80		28.65
HMCG22B601S	TL8E100C20UH11	21.0	XAF/XAFC60H	High	1500	52.50	37.20	17.50	10.00
				Intermediate	1050	35.00	18.70		16.45
				Low	1050	27.20	19.30		30.65
HMCG22B601S	TM9Y100C20MP11	24.5	XAH/XAHD60J	High	1550	53.00	37.00	16.50	9.80
				Intermediate	1175	35.60	21.60		15.95
				Low	1175	26.80	21.20		27.45
HMCG22B601S	TM9V120D20MP12C	24.5	XAH/XAHD60J	High	1700	54.00	41.00	17.00	9.80
				Intermediate	1025	35.00	20.60		16.35
				Low	1025	26.40	19.60		29.75
HMCG22B601S	TP9C120D20MP13C	24.5	XAH/XAHD60J	High	1700	54.00	41.00	17.00	9.80
				Intermediate	1025	35.00	20.60		16.35
				Low	1025	26.40	19.60		29.75
HMCG22B601S	YP9C120D20MP13C	24.5	XAH/XAHD60J	High	1700	54.00	41.00	17.00	9.80
				Intermediate	1025	35.00	20.60		16.35
				Low	1025	26.40	19.60		29.75
HMCG22B601S	TM9V100C20MP12C	24.5	XAF/XAFD60J	High	1650	53.50	40.50	17.00	9.80
				Intermediate	1050	35.00	20.60		16.10
				Low	1050	26.40	19.90		28.70
HMCG22B601S	TP9C100C20MP13C	24.5	XAF/XAFD60J	High	1650	53.50	40.50	17.00	9.80
				Intermediate	1050	35.00	20.60		16.10
				Low	1050	26.40	19.90		28.70
HMCG22B601S	YP9C100C20MP13C	24.5	XAF/XAFD60J	High	1650	53.50	40.50	17.00	9.80
				Intermediate	1050	35.00	20.60		16.10
				Low	1050	26.40	19.90		28.70

Table 9: Furnace capacity - 5 ton

Outdoor unit model	Furnace model	Furnace width (in.)	Indoor coil model	Stage	Rated CFM	Net cool (MBH)	Sens cool (MBH)	SEER2	EER2
HMCG22B601S	TM9V100C16MP12C	24.5	XAF/XAFD60J	High	1650	53.50	40.50	17.00	9.80
				Intermediate	1125	35.40	21.20		16.05
				Low	1125	26.60	20.80		28.10
HMCG22B601S	TP9C100C16MP13C	24.5	XAF/XAFD60J	High	1650	53.50	40.50	17.00	9.80
				Intermediate	1125	35.40	21.20		16.05
				Low	1125	26.60	20.80		28.10
HMCG22B601S	YP9C100C16MP13C	24.5	XAF/XAFD60J	High	1650	53.50	40.50	17.00	9.80
				Intermediate	1125	35.40	21.20		16.05
				Low	1125	26.60	20.80		28.10
HMCG22B601S	TM9E120D20MP12	24.5	XAF/XAF/XAUD60H	High	1650	53.00	38.50	17.00	9.80
				Intermediate	1225	35.80	20.40		16.10
				Low	1225	27.80	21.00		28.50
HMCG22B601S	TM9E100C20MP12	21.0	XAF/XAFC60H	High	1725	53.50	39.00	17.00	9.80
				Intermediate	1225	36.00	20.60		16.30
				Low	1225	28.00	21.00		29.30
HMCG22B601S	TM9E080C20MP12	24.5	XAH/XAHD60J	High	1700	54.50	41.00	17.00	10.00
				Intermediate	1225	36.00	22.00		16.20
				Low	1225	27.20	21.80		28.25
HMCG22B601S	TM8Y120C20MP11	24.5	XAH/XAHD60J	High	1700	54.00	41.00	17.50	9.80
				Intermediate	1050	35.20	20.80		16.55
				Low	1050	26.60	20.00		30.55
HMCG22B601S	TM8Y100C20MP11	24.5	XAH/XAHD60J	High	1700	54.00	41.00	17.50	9.80
				Intermediate	1050	35.20	20.80		16.55
				Low	1050	26.60	20.00		30.55
HMCG22B601S	TM8V120C20MP12C	21.0	XAH/XAHC60H	High	1625	53.00	38.50	17.50	9.80
				Intermediate	1100	35.40	19.20		16.45
				Low	1100	27.40	19.80		30.45
HMCG22B601S	TM8V100C20MP12C	21.0	XAH/XAHC60H	High	1625	53.00	38.50	17.50	9.80
				Intermediate	1100	35.40	19.20		16.45
				Low	1100	27.40	19.80		30.45
HMCG22B601S	TMLV120C20MP12C	21.0	XAH/XAHC60H	High	1625	53.00	38.50	17.50	9.80
				Intermediate	1100	35.40	19.20		16.45
				Low	1100	27.40	19.80		30.45
HMCG22B601S	TPLC100C20MP13C	21.0	XAH/XAHC60H	High	1625	53.00	38.50	17.50	9.80
				Intermediate	1100	35.40	19.20		16.45
				Low	1100	27.40	19.80		30.45
HMCG22B601S	TPLC120C20MP13C	21.0	XAH/XAHC60H	High	1625	53.00	38.50	17.50	9.80
				Intermediate	1100	35.40	19.20		16.45
				Low	1100	27.40	19.80		30.45
HMCG22B601S	YPLC100C20MP13C	21.0	XAH/XAHC60H	High	1625	53.00	38.50	17.50	9.80
				Intermediate	1100	35.40	19.20		16.45
				Low	1100	27.40	19.80		30.45
HMCG22B601S	YPLC120C20MP13C	21.0	XAH/XAHC60H	High	1625	53.00	38.50	17.50	9.80
				Intermediate	1100	35.40	19.20		16.45
				Low	1100	27.40	19.80		30.45
HMCG22B601S	TM8E130D20MP11	24.5	XAH/XAHD60J	High	1650	53.50	40.50	17.00	9.80
				Intermediate	1250	36.20	22.20		16.10
				Low	1250	27.20	22.00		27.80
HMCG22B601S	TMLE130D20MP11	24.5	XAH/XAHD60J	High	1650	53.50	40.50	17.00	9.80
				Intermediate	1250	36.20	22.20		16.10
				Low	1250	27.20	22.00		27.80
HMCG22B601S	TM8E120C20MP11	21.0	XAH/XAHC60H	High	1650	53.00	38.50	17.00	9.80
				Intermediate	1275	36.20	21.00		16.20
				Low	1275	28.20	21.40		28.75
HMCG22B601S	TMLE120C20MP11	21.0	XAH/XAHC60H	High	1650	53.00	38.50	17.00	9.80
				Intermediate	1275	36.20	21.00		16.20
				Low	1275	28.20	21.40		28.75
HMCG22B601S	TM8E100C20MP11	24.5	XAH/XAHD60H	High	1700	53.50	39.00	17.00	9.80
				Intermediate	1250	36.00	20.80		16.25
				Low	1250	28.00	21.20		28.95
HMCG22B601S	TMLE100C20MP11	24.5	XAH/XAHD60H	High	1700	53.50	39.00	17.00	9.80
				Intermediate	1250	36.00	20.80		16.25
				Low	1250	28.00	21.20		28.95

Table 9: Furnace capacity - 5 ton

Outdoor unit model	Furnace model	Furnace width (in.)	Indoor coil model	Stage	Rated CFM	Net cool (MBH)	Sens cool (MBH)	SEER2	EER2
HMCG22B601S	TM8E080C20MP11	24.5	XAH/XAHD60H	High	1700	53.00	39.00	17.00	9.80
				Intermediate	1250	36.00	20.80		16.25
				Low	1250	28.00	21.20		29.05
HMCG22B601S	TMLE080C20MP11	24.5	XAH/XAHD60H	High	1700	53.00	39.00	17.00	9.80
				Intermediate	1250	36.00	20.80		16.25
				Low	1250	28.00	21.20		29.05
HMCG22B601S	TL9E080C16UH11	21.0	XAH/XAHC60H	High	1500	52.00	37.20	17.00	9.80
				Intermediate	1075	35.00	19.00		16.00
				Low	1075	27.20	19.60		28.70
HMCG22B601S	TM9Y120D20MP11	24.5	XAF/XAF/XAUD60H	High	1675	53.00	36.20	17.00	9.80
				Intermediate	1225	36.00	20.60		16.15
				Low	1225	28.00	21.00		28.70
HMCG22B601S	TM9Y100C20MP11	21.0	XAF/XAFC60H	High	1575	52.50	38.00	17.00	9.80
				Intermediate	1175	35.60	20.00		15.95
				Low	1175	27.60	20.60		28.20
HMCG22B601S	TM9V100C20MP12C	21.0	XAH/XAHC60H	High	1650	53.00	38.50	17.00	9.80
				Intermediate	1050	35.00	18.70		16.30
				Low	1050	27.20	19.40		30.15
HMCG22B601S	TP9C100C20MP13C	21.0	XAH/XAHC60H	High	1650	53.00	38.50	17.00	9.80
				Intermediate	1050	35.00	18.70		16.30
				Low	1050	27.20	19.40		30.15
HMCG22B601S	YP9C100C20MP13C	21.0	XAH/XAHC60H	High	1650	53.00	38.50	17.00	9.80
				Intermediate	1050	35.00	18.70		16.30
				Low	1050	27.20	19.40		30.15
HMCG22B601S	TM9V100C16MP12C	21.0	XAH/XAHC60H	High	1650	53.00	38.50	17.00	9.80
				Intermediate	1125	35.40	19.50		16.25
				Low	1125	27.40	20.00		29.45
HMCG22B601S	TP9C100C16MP13C	21.0	XAH/XAHC60H	High	1650	53.00	38.50	17.00	9.80
				Intermediate	1125	35.40	19.50		16.25
				Low	1125	27.40	20.00		29.45
HMCG22B601S	YP9C100C16MP13C	21.0	XAH/XAHC60H	High	1650	53.00	38.50	17.00	9.80
				Intermediate	1125	35.40	19.50		16.25
				Low	1125	27.40	20.00		29.45
HMCG22B601S	TM9E120D20MP12	24.5	XAF/XAFD60J	High	1650	53.50	40.00	17.00	9.80
				Intermediate	1250	36.20	22.20		16.20
				Low	1250	27.20	22.00		28.05
HMCG22B601S	TM9E100C20MP12	24.5	XAF/XAF/XAUD60H	High	1725	53.50	39.00	17.00	9.80
				Intermediate	1200	35.80	20.40		16.20
				Low	1200	27.80	20.80		29.05
HMCG22B601S	TM9E100C16MP12	21.0	XAF/XAFC60H	High	1500	52.00	37.20	17.00	9.80
				Intermediate	1050	35.00	18.70		16.00
				Low	1050	27.00	19.40		29.00
HMCG22B601S	TM9E080C20MP12	21.0	XAF/XAFC60H	High	1750	53.50	39.50	17.00	9.80
				Intermediate	1225	36.00	20.60		16.25
				Low	1225	28.00	21.00		29.15
HMCG22B601S	TM8Y120C20MP11	21.0	XAF/XAFC60H	High	1725	53.50	39.50	17.50	9.80
				Intermediate	1050	35.20	18.70		16.60
				Low	1050	27.20	19.40		31.30
HMCG22B601S	TM8Y100C20MP11	21.0	XAF/XAFC60H	High	1725	53.50	39.50	17.50	9.80
				Intermediate	1050	35.20	18.70		16.60
				Low	1050	27.20	19.40		31.30
HMCG22B601S	TM8V100C20MP12C	21.0	XAF/XAFC60H	High	1575	52.50	37.80	17.00	9.80
				Intermediate	1075	35.20	19.00		16.30
				Low	1075	27.20	19.60		29.95
HMCG22B601S	TM8E120C20MP11	24.5	XAH/XAHD60H	High	1625	53.00	38.50	17.00	9.80
				Intermediate	1250	36.00	20.80		16.10
				Low	1250	28.00	21.20		28.35
HMCG22B601S	TMLE120C20MP11	24.5	XAH/XAHD60H	High	1625	53.00	38.50	17.00	9.80
				Intermediate	1250	36.00	20.80		16.10
				Low	1250	28.00	21.20		28.35
HMCG22B601S	TM8E100C20MP11	24.5	XAH/XAHD60J	High	1675	54.00	40.50	17.00	9.80
				Intermediate	1250	36.20	22.20		16.25
				Low	1250	27.20	22.00		28.25

Table 9: Furnace capacity - 5 ton

Outdoor unit model	Furnace model	Furnace width (in.)	Indoor coil model	Stage	Rated CFM	Net cool (MBH)	Sens cool (MBH)	SEER2	EER2
HMCG22B601S	TMLE100C20MP11	24.5	XAH/XAHD60J	High	1675	54.00	40.50	17.00	9.80
				Intermediate	1250	36.20	22.20		16.25
				Low	1250	27.20	22.00		28.25
HMCG22B601S	TM8E080C20MP11	24.5	XAH/XAHD60J	High	1675	54.00	41.00	17.00	9.80
				Intermediate	1250	36.20	22.40		16.25
				Low	1250	27.20	22.20		28.35
HMCG22B601S	TMLE080C20MP11	24.5	XAH/XAHD60J	High	1675	54.00	41.00	17.00	9.80
				Intermediate	1250	36.20	22.40		16.25
				Low	1250	27.20	22.20		28.35
HMCG22B601S	TL9E100C20UH11	21.0	XAH/XAHC60H	High	1500	52.50	37.40	17.50	9.90
				Intermediate	1125	35.40	19.50		16.35
				Low	1125	27.60	20.20		29.85
HMCG22B601S	TM9Y100C20MP11	24.5	XAH/XAHD60H	High	1550	52.50	35.60	16.50	9.80
				Intermediate	1150	35.40	19.80		15.85
				Low	1150	27.40	20.20		27.95
HMCG22B601S	TM9V120D20MP12C	24.5	XAH/XAHD60H	High	1700	53.50	39.00	17.00	9.80
				Intermediate	1025	34.80	18.40		16.30
				Low	1025	27.00	19.20		30.25
HMCG22B601S	TP9C120D20MP13C	24.5	XAH/XAHD60H	High	1700	53.50	39.00	17.00	9.80
				Intermediate	1025	34.80	18.40		16.30
				Low	1025	27.00	19.20		30.25
HMCG22B601S	YP9C120D20MP13C	24.5	XAH/XAHD60H	High	1700	53.50	39.00	17.00	9.80
				Intermediate	1025	34.80	18.40		16.30
				Low	1025	27.00	19.20		30.25
HMCG22B601S	TM9V100C20MP12C	24.5	XAF/XAF/XAUD60H	High	1650	53.00	38.50	17.00	9.80
				Intermediate	1050	34.80	18.70		16.00
				Low	1050	27.00	19.40		28.85
HMCG22B601S	TP9C100C20MP13C	24.5	XAF/XAF/XAUD60H	High	1650	53.00	38.50	17.00	9.80
				Intermediate	1050	34.80	18.70		16.00
				Low	1050	27.00	19.40		28.85
HMCG22B601S	YP9C100C20MP13C	24.5	XAF/XAF/XAUD60H	High	1650	53.00	38.50	17.00	9.80
				Intermediate	1050	34.80	18.70		16.00
				Low	1050	27.00	19.40		28.85
HMCG22B601S	TM9V100C16MP12C	24.5	XAF/XAF/XAUD60H	High	1650	53.00	38.50	16.50	9.80
				Intermediate	1150	35.40	19.70		15.95
				Low	1150	27.40	20.20		28.30
HMCG22B601S	TP9C100C16MP13C	24.5	XAF/XAF/XAUD60H	High	1650	53.00	38.50	16.50	9.80
				Intermediate	1150	35.40	19.70		15.95
				Low	1150	27.40	20.20		28.30
HMCG22B601S	YP9C100C16MP13C	24.5	XAF/XAF/XAUD60H	High	1650	53.00	38.50	16.50	9.80
				Intermediate	1150	35.40	19.70		15.95
				Low	1150	27.40	20.20		28.30
HMCG22B601S	TM9E100C20MP12	24.5	XAH/XAHD60J	High	1700	54.50	41.00	17.00	10.00
				Intermediate	1225	36.00	22.00		16.25
				Low	1225	27.20	21.80		28.45
HMCG22B601S	TM9E100C16MP12	24.5	XAH/XAHD60H	High	1500	52.00	37.20	17.00	9.80
				Intermediate	1050	34.80	18.70		16.00
				Low	1050	27.00	19.40		28.90
HMCG22B601S	TM9E080C20MP12	24.5	XAH/XAHD60H	High	1750	54.00	39.50	17.00	9.90
				Intermediate	1225	36.00	20.60		16.25
				Low	1225	28.00	21.00		29.05
HMCG22B601S	TM8Y120C20MP11	24.5	XAH/XAHD60H	High	1725	53.50	39.50	17.50	9.80
				Intermediate	1025	35.00	18.40		16.50
				Low	1025	27.20	19.20		31.10
HMCG22B601S	TM8Y100C20MP11	24.5	XAH/XAHD60H	High	1725	53.50	39.50	17.50	9.80
				Intermediate	1025	35.00	18.40		16.50
				Low	1025	27.20	19.20		31.10
HMCG22B601S	TM8V100C20MP12C	24.5	XAH/XAHD60J	High	1750	54.00	41.50	17.00	9.80
				Intermediate	1175	35.80	21.60		16.25
				Low	1175	27.00	21.40		28.60
HMCG22B601S	TM8E130D20MP11	24.5	XAH/XAHD60H	High	1675	53.00	38.50	17.00	9.80
				Intermediate	1250	36.00	20.80		16.15
				Low	1250	28.00	21.20		28.55

Table 9: Furnace capacity - 5 ton

Outdoor unit model	Furnace model	Furnace width (in.)	Indoor coil model	Stage	Rated CFM	Net cool (MBH)	Sens cool (MBH)	SEER2	EER2
HMCG22B601S	TMLE130D20MP11	24.5	XAH/XAHD60H	High	1675	53.00	38.50	17.00	9.80
				Intermediate	1250	36.00	20.80		16.15
				Low	1250	28.00	21.20		28.55
HMCG22B601S	TM8E120C20MP11	24.5	XAF/XAFD60J	High	1650	54.00	40.50	17.00	9.80
				Intermediate	1250	36.20	22.20		16.10
				Low	1250	27.20	22.00		27.80
HMCG22B601S	TMLE120C20MP11	24.5	XAF/XAFD60J	High	1650	54.00	40.50	17.00	9.80
				Intermediate	1250	36.20	22.20		16.10
				Low	1250	27.20	22.00		27.80
HMCG22B601S	TM8E100C20MP11	21.0	XAH/XAHC60H	High	1625	53.00	38.50	17.00	9.80
				Intermediate	1250	36.00	20.80		16.30
				Low	1250	28.00	21.20		29.15
HMCG22B601S	TMLE100C20MP11	21.0	XAH/XAHC60H	High	1625	53.00	38.50	17.00	9.80
				Intermediate	1250	36.00	20.80		16.30
				Low	1250	28.00	21.20		29.15
HMCG22B601S	TM8E080C20MP11	21.0	XAH/XAHC60H	High	1625	53.00	38.50	17.00	9.80
				Intermediate	1250	36.20	20.80		16.30
				Low	1250	28.00	21.20		29.20
HMCG22B601S	TMLE080C20MP11	21.0	XAH/XAHC60H	High	1625	53.00	38.50	17.00	9.80
				Intermediate	1250	36.20	20.80		16.30
				Low	1250	28.00	21.20		29.20
HMCG22B601S	TL8E100C20UH11	21.0	XAH/XAHC60H	High	1500	52.50	37.20	17.50	10.00
				Intermediate	1075	35.20	19.00		16.55
				Low	1075	27.40	19.60		30.95
HMCG22B601S	TM9Y120D20MP11	24.5	XAH/XAHD60J	High	1650	53.50	37.80	17.00	9.80
				Intermediate	1225	36.00	22.20		16.15
				Low	1225	27.20	22.00		28.05
HMCG22B601S	TM9Y100C20MP11	21.0	XAH/XAHC60H	High	1600	52.50	35.60	17.00	9.80
				Intermediate	1200	35.80	20.20		16.10
				Low	1200	27.80	20.80		28.55
HMCG22B601S	TM9V120D20MP12C	24.5	XAF/XAFD60J	High	1700	54.00	41.00	17.00	9.80
				Intermediate	1025	35.00	20.60		16.35
				Low	1025	26.40	19.50		29.80
HMCG22B601S	TP9C120D20MP13C	24.5	XAF/XAFD60J	High	1700	54.00	41.00	17.00	9.80
				Intermediate	1025	35.00	20.60		16.35
				Low	1025	26.40	19.50		29.80
HMCG22B601S	YP9C120D20MP13C	24.5	XAF/XAFD60J	High	1700	54.00	41.00	17.00	9.80
				Intermediate	1025	35.00	20.60		16.35
				Low	1025	26.40	19.50		29.80
HMCG22B601S	TM9V100C20MP12C	21.0	XAF/XAFC60H	High	1650	53.00	38.50	17.00	9.80
				Intermediate	1050	35.00	18.70		16.10
				Low	1050	27.20	19.50		29.35
HMCG22B601S	TP9C100C20MP13C	21.0	XAF/XAFC60H	High	1650	53.00	38.50	17.00	9.80
				Intermediate	1050	35.00	18.70		16.10
				Low	1050	27.20	19.50		29.35
HMCG22B601S	YP9C100C20MP13C	21.0	XAF/XAFC60H	High	1650	53.00	38.50	17.00	9.80
				Intermediate	1050	35.00	18.70		16.10
				Low	1050	27.20	19.50		29.35
HMCG22B601S	TM9V100C16MP12C	21.0	XAF/XAFC60H	High	1525	52.50	37.60	17.00	9.80
				Intermediate	1050	35.00	18.70		16.10
				Low	1050	27.20	19.50		29.35
HMCG22B601S	TP9C100C16MP13C	21.0	XAF/XAFC60H	High	1525	52.50	37.60	17.00	9.80
				Intermediate	1050	35.00	18.70		16.10
				Low	1050	27.20	19.50		29.35
HMCG22B601S	YP9C100C16MP13C	21.0	XAF/XAFC60H	High	1525	52.50	37.60	17.00	9.80
				Intermediate	1050	35.00	18.70		16.10
				Low	1050	27.20	19.50		29.35
HMCG22B601S	TM9E100C20MP12	24.5	XAH/XAHD60H	High	1725	53.50	39.00	17.00	9.90
				Intermediate	1200	35.80	20.40		16.25
				Low	1200	27.80	20.80		29.10
HMCG22B601S	TM9E100C16MP12	21.0	XAH/XAHC60H	High	1500	52.00	37.20	17.00	9.80
				Intermediate	1075	35.00	18.90		16.15
				Low	1075	27.20	19.60		29.30

Table 9: Furnace capacity - 5 ton

Outdoor unit model	Furnace model	Furnace width (in.)	Indoor coil model	Stage	Rated CFM	Net cool (MBH)	Sens cool (MBH)	SEER2	EER2
HMCG22B601S	TM9E080C20MP12	21.0	XAH/XAHC60H	High	1750	53.50	39.00	17.50	9.80
				Intermediate	1250	36.20	20.80		16.35
				Low	1250	28.20	21.20		29.45
HMCG22B601S	TM8Y120C20MP11	21.0	XAH/XAHC60H	High	1725	53.50	39.50	17.50	9.80
				Intermediate	1075	35.20	18.90		16.70
				Low	1075	27.40	19.50		31.70
HMCG22B601S	TM8Y100C20MP11	21.0	XAH/XAHC60H	High	1725	53.50	39.50	17.50	9.80
				Intermediate	1075	35.20	18.90		16.70
				Low	1075	27.40	19.50		31.70
HMCG22B601S	TM8V100C20MP12C	24.5	XAH/XAHD60H	High	1750	53.50	39.50	17.00	9.80
				Intermediate	1175	35.60	19.90		16.25
				Low	1175	27.80	20.60		29.25
HMCG22B601S	TM8E130D20MP11	24.5	XAF/XAFD60J	High	1675	54.00	40.50	17.00	9.80
				Intermediate	1250	36.20	22.20		16.15
				Low	1250	27.20	22.00		27.90
HMCG22B601S	TMLE130D20MP11	24.5	XAF/XAFD60J	High	1675	54.00	40.50	17.00	9.80
				Intermediate	1250	36.20	22.20		16.15
				Low	1250	27.20	22.00		27.90
HMCG22B601S	TM8E120C20MP11	24.5	XAF/XAF/XAUD60H	High	1650	53.00	38.50	17.00	9.80
				Intermediate	1225	35.80	20.60		16.05
				Low	1225	27.80	21.00		28.25
HMCG22B601S	TMLE120C20MP11	24.5	XAF/XAF/XAUD60H	High	1650	53.00	38.50	17.00	9.80
				Intermediate	1225	35.80	20.60		16.05
				Low	1225	27.80	21.00		28.25
HMCG22B601S	TM8E100C20MP11	24.5	XAF/XAFD60J	High	1725	54.00	41.00	17.00	9.80
				Intermediate	1250	36.20	22.40		16.30
				Low	1250	27.20	22.20		28.40
HMCG22B601S	TMLE100C20MP11	24.5	XAF/XAFD60J	High	1725	54.00	41.00	17.00	9.80
				Intermediate	1250	36.20	22.40		16.30
				Low	1250	27.20	22.20		28.40
HMCG22B601S	TM8E080C20MP11	24.5	XAF/XAFD60J	High	1625	53.50	40.00	17.00	9.80
				Intermediate	1225	36.00	22.00		16.20
				Low	1225	27.20	21.80		28.20
HMCG22B601S	TMLE080C20MP11	24.5	XAF/XAFD60J	High	1625	53.50	40.00	17.00	9.80
				Intermediate	1225	36.00	22.00		16.20
				Low	1225	27.20	21.80		28.20
HMCG22B601S	TL8E100C20UH11	24.5	XAF/XAFD60J	High	1500	53.00	38.50	17.50	10.00
				Intermediate	1050	35.20	20.60		16.40
				Low	1050	26.60	20.00		29.90
HMCG22B601S	TM9Y120D20MP11	24.5	XAH/XAHD60H	High	1675	53.00	36.20	17.00	9.80
				Intermediate	1225	36.00	20.60		16.15
				Low	1225	28.00	21.00		28.80
HMCG22B601S	TM9Y100C20MP11	24.5	XAF/XAFD60J	High	1575	53.00	39.50	16.50	9.80
				Intermediate	1175	35.60	21.60		15.95
				Low	1175	26.80	21.40		27.55
HMCG22B601S	TM9V120D20MP12C	24.5	XAF/XAF/XAUD60H	High	1700	53.50	39.00	17.00	9.80
				Intermediate	1025	34.80	18.40		16.25
				Low	1025	27.00	19.20		30.00
HMCG22B601S	TP9C120D20MP13C	24.5	XAF/XAF/XAUD60H	High	1700	53.50	39.00	17.00	9.80
				Intermediate	1025	34.80	18.40		16.25
				Low	1025	27.00	19.20		30.00
HMCG22B601S	YP9C120D20MP13C	24.5	XAF/XAF/XAUD60H	High	1700	53.50	39.00	17.00	9.80
				Intermediate	1025	34.80	18.40		16.25
				Low	1025	27.00	19.20		30.00
HMCG22B601S	TM9V100C16MP12C	24.5	XAH/XAHD60J	High	1550	53.00	39.00	17.00	9.80
				Intermediate	1050	35.00	20.60		16.10
				Low	1050	26.40	19.90		28.60
HMCG22B601S	TP9C100C16MP13C	24.5	XAH/XAHD60J	High	1550	53.00	39.00	17.00	9.80
				Intermediate	1050	35.00	20.60		16.10
				Low	1050	26.40	19.90		28.60
HMCG22B601S	YP9C100C16MP13C	24.5	XAH/XAHD60J	High	1550	53.00	39.00	17.00	9.80
				Intermediate	1050	35.00	20.60		16.10
				Low	1050	26.40	19.90		28.60

Table 9: Furnace capacity - 5 ton

Outdoor unit model	Furnace model	Furnace width (in.)	Indoor coil model	Stage	Rated CFM	Net cool (MBH)	Sens cool (MBH)	SEER2	EER2
HMCG22B601S	TM9E120D20MP12	24.5	XAH/XAHD60J	High	1600	53.50	40.00	17.00	9.80
				Intermediate	1225	36.00	22.20		16.10
				Low	1225	27.00	21.80		27.80
HMCG22B601S	TM9E100C20MP12	21.0	XAH/XAHC60H	High	1725	53.50	39.00	17.50	9.80
				Intermediate	1250	36.20	20.80		16.40
				Low	1250	28.20	21.20		29.60
HMCG22B601S	TM9E100C16MP12	24.5	XAF/XAFD60J	High	1500	52.50	38.50	17.00	9.80
				Intermediate	1050	35.00	20.80		16.00
				Low	1050	26.40	20.00		28.30
HMCG22B601S	TM9E080C20MP12	24.5	XAF/XAFD60J	High	1750	54.50	41.50	17.00	9.80
				Intermediate	1225	36.00	22.00		16.25
				Low	1225	27.20	21.80		28.45
HMCG22B601S	TM8Y120C20MP11	24.5	XAF/XAFD60J	High	1725	54.00	41.00	17.50	9.80
				Intermediate	1050	35.20	20.60		16.60
				Low	1050	26.60	19.80		30.60
HMCG22B601S	TM8Y100C20MP11	24.5	XAF/XAFD60J	High	1725	54.00	41.00	17.50	9.80
				Intermediate	1050	35.20	20.60		16.60
				Low	1050	26.60	19.80		30.60
HMCG22B601S	TM8V100C20MP12C	24.5	XAF/XAFD60J	High	1575	53.50	39.50	17.00	9.90
				Intermediate	1075	35.20	20.80		16.30
				Low	1075	26.60	20.20		29.30
HMCG22B601S	TM8E130D20MP11	24.5	XAF/XAF/XAUD60H	High	1675	53.00	38.50	17.00	9.80
				Intermediate	1225	35.80	20.40		16.05
				Low	1225	27.80	21.00		28.35
HMCG22B601S	TMLE130D20MP11	24.5	XAF/XAF/XAUD60H	High	1675	53.00	38.50	17.00	9.80
				Intermediate	1225	35.80	20.40		16.05
				Low	1225	27.80	21.00		28.35
HMCG22B601S	TM8E120C20MP11	21.0	XAF/XAFC60H	High	1650	53.00	38.50	17.00	9.80
				Intermediate	1250	36.00	20.80		16.10
				Low	1250	28.00	21.20		28.50
HMCG22B601S	TMLE120C20MP11	21.0	XAF/XAFC60H	High	1650	53.00	38.50	17.00	9.80
				Intermediate	1250	36.00	20.80		16.10
				Low	1250	28.00	21.20		28.50
HMCG22B601S	TM8E100C20MP11	24.5	XAF/XAF/XAUD60H	High	1725	53.50	39.00	17.00	9.80
				Intermediate	1250	36.00	20.80		16.25
				Low	1250	28.00	21.20		28.95
HMCG22B601S	TMLE100C20MP11	24.5	XAF/XAF/XAUD60H	High	1725	53.50	39.00	17.00	9.80
				Intermediate	1250	36.00	20.80		16.25
				Low	1250	28.00	21.20		28.95
HMCG22B601S	TM8E080C20MP11	24.5	XAF/XAF/XAUD60H	High	1625	53.00	38.50	17.00	9.80
				Intermediate	1200	35.80	20.20		16.10
				Low	1200	27.80	20.80		28.65
HMCG22B601S	TMLE080C20MP11	24.5	XAF/XAF/XAUD60H	High	1625	53.00	38.50	17.00	9.80
				Intermediate	1200	35.80	20.20		16.10
				Low	1200	27.80	20.80		28.65
HMCG22B601S	TL8E100C20UH11	21.0	XAF/XAFC60H	High	1500	52.50	37.20	17.50	10.00
				Intermediate	1050	35.00	18.70		16.45
				Low	1050	27.20	19.30		30.65
HMCG22B601S	TM9Y100C20MP11	24.5	XAH/XAHD60J	High	1550	53.00	37.00	16.50	9.80
				Intermediate	1175	35.60	21.60		15.95
				Low	1175	26.80	21.20		27.45
HMCG22B601S	TM9V120D20MP12C	24.5	XAH/XAHD60J	High	1700	54.00	41.00	17.00	9.80
				Intermediate	1025	35.00	20.60		16.35
				Low	1025	26.40	19.60		29.75
HMCG22B601S	TP9C120D20MP13C	24.5	XAH/XAHD60J	High	1700	54.00	41.00	17.00	9.80
				Intermediate	1025	35.00	20.60		16.35
				Low	1025	26.40	19.60		29.75
HMCG22B601S	YP9C120D20MP13C	24.5	XAH/XAHD60J	High	1700	54.00	41.00	17.00	9.80
				Intermediate	1025	35.00	20.60		16.35
				Low	1025	26.40	19.60		29.75
HMCG22B601S	TM9V100C20MP12C	24.5	XAF/XAFD60J	High	1650	53.50	40.50	17.00	9.80
				Intermediate	1050	35.00	20.60		16.10
				Low	1050	26.40	19.90		28.70

Table 9: Furnace capacity - 5 ton

Outdoor unit model	Furnace model	Furnace width (in.)	Indoor coil model	Stage	Rated CFM	Net cool (MBH)	Sens cool (MBH)	SEER2	EER2
HMCG22B601S	TP9C100C20MP13C	24.5	XAF/XAFD60J	High	1650	53.50	40.50	17.00	9.80
				Intermediate	1050	35.00	20.60		16.10
				Low	1050	26.40	19.90		28.70
HMCG22B601S	YP9C100C20MP13C	24.5	XAF/XAFD60J	High	1650	53.50	40.50	17.00	9.80
				Intermediate	1050	35.00	20.60		16.10
				Low	1050	26.40	19.90		28.70
HMCG22B601S	TM9V100C16MP12C	24.5	XAF/XAFD60J	High	1650	53.50	40.50	17.00	9.80
				Intermediate	1125	35.40	21.20		16.05
				Low	1125	26.60	20.80		28.10
HMCG22B601S	TP9C100C16MP13C	24.5	XAF/XAFD60J	High	1650	53.50	40.50	17.00	9.80
				Intermediate	1125	35.40	21.20		16.05
				Low	1125	26.60	20.80		28.10
HMCG22B601S	YP9C100C16MP13C	24.5	XAF/XAFD60J	High	1650	53.50	40.50	17.00	9.80
				Intermediate	1125	35.40	21.20		16.05
				Low	1125	26.60	20.80		28.10
HMCG22B601S	TM9E120D20MP12	24.5	XAF/XAF/XAUD60H	High	1650	53.00	38.50	17.00	9.80
				Intermediate	1225	35.80	20.40		16.10
				Low	1225	27.80	21.00		28.50
HMCG22B601S	TM9E100C20MP12	21.0	XAF/XAFC60H	High	1725	53.50	39.00	17.00	9.80
				Intermediate	1225	36.00	20.60		16.30
				Low	1225	28.00	21.00		29.30
HMCG22B601S	TM9E080C20MP12	24.5	XAH/XAHD60J	High	1700	54.50	41.00	17.00	10.00
				Intermediate	1225	36.00	22.00		16.20
				Low	1225	27.20	21.80		28.25
HMCG22B601S	TM8Y120C20MP11	24.5	XAH/XAHD60J	High	1700	54.00	41.00	17.50	9.80
				Intermediate	1050	35.20	20.80		16.55
				Low	1050	26.60	20.00		30.55
HMCG22B601S	TM8Y100C20MP11	24.5	XAH/XAHD60J	High	1700	54.00	41.00	17.50	9.80
				Intermediate	1050	35.20	20.80		16.55
				Low	1050	26.60	20.00		30.55
HMCG22B601S	TM8V120C20MP12C	21.0	XAH/XAHC60H	High	1625	53.00	38.50	17.50	9.80
				Intermediate	1100	35.40	19.20		16.45
				Low	1100	27.40	19.80		30.45
HMCG22B601S	TM8V100C20MP12C	21.0	XAH/XAHC60H	High	1625	53.00	38.50	17.50	9.80
				Intermediate	1100	35.40	19.20		16.45
				Low	1100	27.40	19.80		30.45
HMCG22B601S	TMLV120C20MP12C	21.0	XAH/XAHC60H	High	1625	53.00	38.50	17.50	9.80
				Intermediate	1100	35.40	19.20		16.45
				Low	1100	27.40	19.80		30.45
HMCG22B601S	TPLC100C20MP13C	21.0	XAH/XAHC60H	High	1625	53.00	38.50	17.50	9.80
				Intermediate	1100	35.40	19.20		16.45
				Low	1100	27.40	19.80		30.45
HMCG22B601S	TPLC120C20MP13C	21.0	XAH/XAHC60H	High	1625	53.00	38.50	17.50	9.80
				Intermediate	1100	35.40	19.20		16.45
				Low	1100	27.40	19.80		30.45
HMCG22B601S	YPLC100C20MP13C	21.0	XAH/XAHC60H	High	1625	53.00	38.50	17.50	9.80
				Intermediate	1100	35.40	19.20		16.45
				Low	1100	27.40	19.80		30.45
HMCG22B601S	YPLC120C20MP13C	21.0	XAH/XAHC60H	High	1625	53.00	38.50	17.50	9.80
				Intermediate	1100	35.40	19.20		16.45
				Low	1100	27.40	19.80		30.45
HMCG22B601S	TM8E130D20MP11	24.5	XAH/XAHD60J	High	1650	53.50	40.50	17.00	9.80
				Intermediate	1250	36.20	22.20		16.10
				Low	1250	27.20	22.00		27.80
HMCG22B601S	TMLE130D20MP11	24.5	XAH/XAHD60J	High	1650	53.50	40.50	17.00	9.80
				Intermediate	1250	36.20	22.20		16.10
				Low	1250	27.20	22.00		27.80
HMCG22B601S	TM8E120C20MP11	21.0	XAH/XAHC60H	High	1650	53.00	38.50	17.00	9.80
				Intermediate	1275	36.20	21.00		16.20
				Low	1275	28.20	21.40		28.75
HMCG22B601S	TMLE120C20MP11	21.0	XAH/XAHC60H	High	1650	53.00	38.50	17.00	9.80
				Intermediate	1275	36.20	21.00		16.20
				Low	1275	28.20	21.40		28.75

Table 9: Furnace capacity - 5 ton

Outdoor unit model	Furnace model	Furnace width (in.)	Indoor coil model	Stage	Rated CFM	Net cool (MBH)	Sens cool (MBH)	SEER2	EER2
HMCG22B601S	TM8E100C20MP11	24.5	XAH/XAHD60H	High	1700	53.50	39.00	17.00	9.80
				Intermediate	1250	36.00	20.80		16.25
				Low	1250	28.00	21.20		28.95
HMCG22B601S	TMLE100C20MP11	24.5	XAH/XAHD60H	High	1700	53.50	39.00	17.00	9.80
				Intermediate	1250	36.00	20.80		16.25
				Low	1250	28.00	21.20		28.95
HMCG22B601S	TM8E080C20MP11	24.5	XAH/XAHD60H	High	1700	53.00	39.00	17.00	9.80
				Intermediate	1250	36.00	20.80		16.25
				Low	1250	28.00	21.20		29.05
HMCG22B601S	TMLE080C20MP11	24.5	XAH/XAHD60H	High	1700	53.00	39.00	17.00	9.80
				Intermediate	1250	36.00	20.80		16.25
				Low	1250	28.00	21.20		29.05
HMCG22B601S	TL9E080C16UH11	21.0	XAH/XAHC60H	High	1500	52.00	37.20	17.00	9.80
				Intermediate	1075	35.00	19.00		16.00
				Low	1075	27.20	19.60		28.70
HMCG22B601S	TM9Y120D20MP11	24.5	XAF/XAF/XAUD60H	High	1675	53.00	36.20	17.00	9.80
				Intermediate	1225	36.00	20.60		16.15
				Low	1225	28.00	21.00		28.70
HMCG22B601S	TM9Y100C20MP11	21.0	XAF/XAFC60H	High	1575	52.50	38.00	17.00	9.80
				Intermediate	1175	35.60	20.00		15.95
				Low	1175	27.60	20.60		28.20
HMCG22B601S	TM9V100C20MP12C	21.0	XAH/XAHC60H	High	1650	53.00	38.50	17.00	9.80
				Intermediate	1050	35.00	18.70		16.30
				Low	1050	27.20	19.40		30.15
HMCG22B601S	TP9C100C20MP13C	21.0	XAH/XAHC60H	High	1650	53.00	38.50	17.00	9.80
				Intermediate	1050	35.00	18.70		16.30
				Low	1050	27.20	19.40		30.15
HMCG22B601S	YP9C100C20MP13C	21.0	XAH/XAHC60H	High	1650	53.00	38.50	17.00	9.80
				Intermediate	1050	35.00	18.70		16.30
				Low	1050	27.20	19.40		30.15
HMCG22B601S	TM9V100C16MP12C	21.0	XAH/XAHC60H	High	1650	53.00	38.50	17.00	9.80
				Intermediate	1125	35.40	19.50		16.25
				Low	1125	27.40	20.00		29.45
HMCG22B601S	TP9C100C16MP13C	21.0	XAH/XAHC60H	High	1650	53.00	38.50	17.00	9.80
				Intermediate	1125	35.40	19.50		16.25
				Low	1125	27.40	20.00		29.45
HMCG22B601S	YP9C100C16MP13C	21.0	XAH/XAHC60H	High	1650	53.00	38.50	17.00	9.80
				Intermediate	1125	35.40	19.50		16.25
				Low	1125	27.40	20.00		29.45
HMCG22B601S	TM9E120D20MP12	24.5	XAF/XAFD60J	High	1650	53.50	40.00	17.00	9.80
				Intermediate	1250	36.20	22.20		16.20
				Low	1250	27.20	22.00		28.05
HMCG22B601S	TM9E100C20MP12	24.5	XAF/XAF/XAUD60H	High	1725	53.50	39.00	17.00	9.80
				Intermediate	1200	35.80	20.40		16.20
				Low	1200	27.80	20.80		29.05
HMCG22B601S	TM9E100C16MP12	21.0	XAF/XAFC60H	High	1500	52.00	37.20	17.00	9.80
				Intermediate	1050	35.00	18.70		16.00
				Low	1050	27.00	19.40		29.00
HMCG22B601S	TM9E080C20MP12	21.0	XAF/XAFC60H	High	1750	53.50	39.50	17.00	9.80
				Intermediate	1225	36.00	20.60		16.25
				Low	1225	28.00	21.00		29.15
HMCG22B601S	TM8Y120C20MP11	21.0	XAF/XAFC60H	High	1725	53.50	39.50	17.50	9.80
				Intermediate	1050	35.20	18.70		16.60
				Low	1050	27.20	19.40		31.30
HMCG22B601S	TM8Y100C20MP11	21.0	XAF/XAFC60H	High	1725	53.50	39.50	17.50	9.80
				Intermediate	1050	35.20	18.70		16.60
				Low	1050	27.20	19.40		31.30
HMCG22B601S	TM8V100C20MP12C	21.0	XAF/XAFC60H	High	1575	52.50	37.80	17.00	9.80
				Intermediate	1075	35.20	19.00		16.30
				Low	1075	27.20	19.60		29.95
HMCG22B601S	TM8E120C20MP11	24.5	XAH/XAHD60H	High	1625	53.00	38.50	17.00	9.80
				Intermediate	1250	36.00	20.80		16.10
				Low	1250	28.00	21.20		28.35

Table 9: Furnace capacity - 5 ton

Outdoor unit model	Furnace model	Furnace width (in.)	Indoor coil model	Stage	Rated CFM	Net cool (MBH)	Sens cool (MBH)	SEER2	EER2
HMCG22B601S	TMLE120C20MP11	24.5	XAH/XAHD60H	High	1625	53.00	38.50	17.00	9.80
				Intermediate	1250	36.00	20.80		16.10
				Low	1250	28.00	21.20		28.35
HMCG22B601S	TM8E100C20MP11	24.5	XAH/XAHD60J	High	1675	54.00	40.50	17.00	9.80
				Intermediate	1250	36.20	22.20		16.25
				Low	1250	27.20	22.00		28.25
HMCG22B601S	TMLE100C20MP11	24.5	XAH/XAHD60J	High	1675	54.00	40.50	17.00	9.80
				Intermediate	1250	36.20	22.20		16.25
				Low	1250	27.20	22.00		28.25
HMCG22B601S	TM8E080C20MP11	24.5	XAH/XAHD60J	High	1675	54.00	41.00	17.00	9.80
				Intermediate	1250	36.20	22.40		16.25
				Low	1250	27.20	22.20		28.35
HMCG22B601S	TMLE080C20MP11	24.5	XAH/XAHD60J	High	1675	54.00	41.00	17.00	9.80
				Intermediate	1250	36.20	22.40		16.25
				Low	1250	27.20	22.20		28.35
HMCG22B601S	TL9E100C20UH11	21.0	XAH/XAHC60H	High	1500	52.50	37.40	17.50	9.90
				Intermediate	1125	35.40	19.50		16.35
				Low	1125	27.60	20.20		29.85
HMCG22B601S	TM9Y120D20MP11	24.5	XAH/XAHD60J	High	1650	53.50	37.80	17.00	9.80
				Intermediate	1225	36.00	22.20		16.15
				Low	1225	27.20	22.00		28.05
HMCG22B601S	TM9Y100C20MP11	21.0	XAH/XAHC60H	High	1600	52.50	35.60	17.00	9.80
				Intermediate	1200	35.80	20.20		16.10
				Low	1200	27.80	20.80		28.55
HMCG22B601S	TM9V120D20MP12C	24.5	XAF/XAFD60J	High	1700	54.00	41.00	17.00	9.80
				Intermediate	1025	35.00	20.60		16.35
				Low	1025	26.40	19.50		29.80
HMCG22B601S	TP9C120D20MP13C	24.5	XAF/XAFD60J	High	1700	54.00	41.00	17.00	9.80
				Intermediate	1025	35.00	20.60		16.35
				Low	1025	26.40	19.50		29.80
HMCG22B601S	YP9C120D20MP13C	24.5	XAF/XAFD60J	High	1700	54.00	41.00	17.00	9.80
				Intermediate	1025	35.00	20.60		16.35
				Low	1025	26.40	19.50		29.80
HMCG22B601S	TM9V100C20MP12C	21.0	XAF/XAFC60H	High	1650	53.00	38.50	17.00	9.80
				Intermediate	1050	35.00	18.70		16.10
				Low	1050	27.20	19.50		29.35
HMCG22B601S	TP9C100C20MP13C	21.0	XAF/XAFC60H	High	1650	53.00	38.50	17.00	9.80
				Intermediate	1050	35.00	18.70		16.10
				Low	1050	27.20	19.50		29.35
HMCG22B601S	YP9C100C20MP13C	21.0	XAF/XAFC60H	High	1650	53.00	38.50	17.00	9.80
				Intermediate	1050	35.00	18.70		16.10
				Low	1050	27.20	19.50		29.35
HMCG22B601S	TM9V100C16MP12C	21.0	XAF/XAFC60H	High	1525	52.50	37.60	17.00	9.80
				Intermediate	1050	35.00	18.70		16.10
				Low	1050	27.20	19.50		29.35
HMCG22B601S	TP9C100C16MP13C	21.0	XAF/XAFC60H	High	1525	52.50	37.60	17.00	9.80
				Intermediate	1050	35.00	18.70		16.10
				Low	1050	27.20	19.50		29.35
HMCG22B601S	YP9C100C16MP13C	21.0	XAF/XAFC60H	High	1525	52.50	37.60	17.00	9.80
				Intermediate	1050	35.00	18.70		16.10
				Low	1050	27.20	19.50		29.35
HMCG22B601S	TM9E100C20MP12	24.5	XAH/XAHD60H	High	1725	53.50	39.00	17.00	9.90
				Intermediate	1200	35.80	20.40		16.25
				Low	1200	27.80	20.80		29.10
HMCG22B601S	TM9E100C16MP12	21.0	XAH/XAHC60H	High	1500	52.00	37.20	17.00	9.80
				Intermediate	1075	35.00	18.90		16.15
				Low	1075	27.20	19.60		29.30
HMCG22B601S	TM9E080C20MP12	21.0	XAH/XAHC60H	High	1750	53.50	39.00	17.50	9.80
				Intermediate	1250	36.20	20.80		16.35
				Low	1250	28.20	21.20		29.45
HMCG22B601S	TM8Y120C20MP11	21.0	XAH/XAHC60H	High	1725	53.50	39.50	17.50	9.80
				Intermediate	1075	35.20	18.90		16.70
				Low	1075	27.40	19.50		31.70

Table 9: Furnace capacity - 5 ton

Outdoor unit model	Furnace model	Furnace width (in.)	Indoor coil model	Stage	Rated CFM	Net cool (MBH)	Sens cool (MBH)	SEER2	EER2
HMCG22B601S	TM8Y100C20MP11	21.0	XAH/XAHC60H	High	1725	53.50	39.50	17.50	9.80
				Intermediate	1075	35.20	18.90		16.70
				Low	1075	27.40	19.50		31.70
HMCG22B601S	TM8V100C20MP12C	24.5	XAH/XAHD60H	High	1750	53.50	39.50	17.00	9.80
				Intermediate	1175	35.60	19.90		16.25
				Low	1175	27.80	20.60		29.25
HMCG22B601S	TM8E130D20MP11	24.5	XAF/XAFD60J	High	1675	54.00	40.50	17.00	9.80
				Intermediate	1250	36.20	22.20		16.15
				Low	1250	27.20	22.00		27.90
HMCG22B601S	TMLE130D20MP11	24.5	XAF/XAFD60J	High	1675	54.00	40.50	17.00	9.80
				Intermediate	1250	36.20	22.20		16.15
				Low	1250	27.20	22.00		27.90
HMCG22B601S	TM8E120C20MP11	24.5	XAF/XAF/XAUD60H	High	1650	53.00	38.50	17.00	9.80
				Intermediate	1225	35.80	20.60		16.05
				Low	1225	27.80	21.00		28.25
HMCG22B601S	TMLE120C20MP11	24.5	XAF/XAF/XAUD60H	High	1650	53.00	38.50	17.00	9.80
				Intermediate	1225	35.80	20.60		16.05
				Low	1225	27.80	21.00		28.25
HMCG22B601S	TM8E100C20MP11	24.5	XAF/XAFD60J	High	1725	54.00	41.00	17.00	9.80
				Intermediate	1250	36.20	22.40		16.30
				Low	1250	27.20	22.20		28.40
HMCG22B601S	TMLE100C20MP11	24.5	XAF/XAFD60J	High	1725	54.00	41.00	17.00	9.80
				Intermediate	1250	36.20	22.40		16.30
				Low	1250	27.20	22.20		28.40
HMCG22B601S	TM8E080C20MP11	24.5	XAF/XAFD60J	High	1625	53.50	40.00	17.00	9.80
				Intermediate	1225	36.00	22.00		16.20
				Low	1225	27.20	21.80		28.20
HMCG22B601S	TMLE080C20MP11	24.5	XAF/XAFD60J	High	1625	53.50	40.00	17.00	9.80
				Intermediate	1225	36.00	22.00		16.20
				Low	1225	27.20	21.80		28.20
HMCG22B601S	TL8E100C20UH11	24.5	XAF/XAFD60J	High	1500	53.00	38.50	17.50	10.00
				Intermediate	1050	35.20	20.60		16.40
				Low	1050	26.60	20.00		29.90
HMCG22B601S	TM9Y120D20MP11	24.5	XAF/XAFD60J	High	1675	53.50	38.00	17.00	9.80
				Intermediate	1225	36.00	22.20		16.20
				Low	1225	27.20	21.80		28.15
HMCG22B601S	TM9Y100C20MP11	24.5	XAF/XAF/XAUD60H	High	1575	52.50	38.00	16.50	9.80
				Intermediate	1150	35.40	19.80		15.85
				Low	1150	27.40	20.20		27.95
HMCG22B601S	TM9V100C20MP12C	24.5	XAH/XAHD60J	High	1625	53.50	40.00	17.00	9.80
				Intermediate	975	34.60	20.00		16.15
				Low	975	26.20	19.10		29.20
HMCG22B601S	TP9C100C20MP13C	24.5	XAH/XAHD60J	High	1625	53.50	40.00	17.00	9.80
				Intermediate	975	34.60	20.00		16.15
				Low	975	26.20	19.10		29.20
HMCG22B601S	YP9C100C20MP13C	24.5	XAH/XAHD60J	High	1625	53.50	40.00	17.00	9.80
				Intermediate	975	34.60	20.00		16.15
				Low	975	26.20	19.10		29.20
HMCG22B601S	TM9V100C16MP12C	24.5	XAH/XAHD60H	High	1550	52.50	37.60	17.00	9.80
				Intermediate	1050	35.00	18.70		16.05
				Low	1050	27.00	19.40		29.10
HMCG22B601S	TP9C100C16MP13C	24.5	XAH/XAHD60H	High	1550	52.50	37.60	17.00	9.80
				Intermediate	1050	35.00	18.70		16.05
				Low	1050	27.00	19.40		29.10
HMCG22B601S	YP9C100C16MP13C	24.5	XAH/XAHD60H	High	1550	52.50	37.60	17.00	9.80
				Intermediate	1050	35.00	18.70		16.05
				Low	1050	27.00	19.40		29.10
HMCG22B601S	TM9E120D20MP12	24.5	XAH/XAHD60H	High	1625	53.00	38.50	17.00	9.80
				Intermediate	1225	35.80	20.40		16.10
				Low	1225	27.80	21.00		28.50
HMCG22B601S	TM9E100C20MP12	24.5	XAF/XAFD60J	High	1725	54.50	41.50	17.00	9.90
				Intermediate	1225	36.00	22.00		16.30
				Low	1225	27.20	21.80		28.60

Table 9: Furnace capacity - 5 ton

Outdoor unit model	Furnace model	Furnace width (in.)	Indoor coil model	Stage	Rated CFM	Net cool (MBH)	Sens cool (MBH)	SEER2	EER2
HMCG22B601S	TM9E100C16MP12	24.5	XAF/XAF/XAUD60H	High	1500	52.00	37.20	16.50	9.80
				Intermediate	1025	34.80	18.50		15.90
				Low	1025	27.00	19.20		28.70
HMCG22B601S	TM9E080C20MP12	24.5	XAF/XAF/XAUD60H	High	1750	53.50	39.50	17.00	9.80
				Intermediate	1225	36.00	20.60		16.25
				Low	1225	28.00	21.00		29.00
HMCG22B601S	TM8Y120C20MP11	24.5	XAF/XAF/XAUD60H	High	1725	53.50	39.50	17.50	9.80
				Intermediate	1025	35.00	18.50		16.50
				Low	1025	27.20	19.20		31.00
HMCG22B601S	TM8Y100C20MP11	24.5	XAF/XAF/XAUD60H	High	1725	53.50	39.50	17.50	9.80
				Intermediate	1025	35.00	18.50		16.50
				Low	1025	27.20	19.20		31.00
HMCG22B601S	TM8V100C20MP12C	24.5	XAF/XAF/XAUD60H	High	1750	53.50	39.50	17.00	9.80
				Intermediate	1175	35.60	20.00		16.20
				Low	1175	27.60	20.40		29.10
HMCG22B601S	TM8E120C20MP11	24.5	XAH/XAHD60J	High	1625	53.50	40.00	17.00	9.80
				Intermediate	1250	36.20	22.40		16.10
				Low	1250	27.20	22.20		27.70
HMCG22B601S	TMLE120C20MP11	24.5	XAH/XAHD60J	High	1625	53.50	40.00	17.00	9.80
				Intermediate	1250	36.20	22.40		16.10
				Low	1250	27.20	22.20		27.70
HMCG22B601S	TM8E120C16MP11	21.0	XAH/XAHC60H	High	1500	52.50	37.40	17.00	9.80
				Intermediate	1125	35.40	19.50		16.25
				Low	1125	27.40	20.00		29.45
HMCG22B601S	TMLE120C16MP11	21.0	XAH/XAHC60H	High	1500	52.50	37.40	17.00	9.80
				Intermediate	1125	35.40	19.50		16.25
				Low	1125	27.40	20.00		29.45
HMCG22B601S	TM8E100C20MP11	21.0	XAF/XAFC60H	High	1725	53.50	39.00	17.00	9.80
				Intermediate	1250	36.00	20.80		16.30
				Low	1250	28.00	21.20		29.10
HMCG22B601S	TMLE100C20MP11	21.0	XAF/XAFC60H	High	1725	53.50	39.00	17.00	9.80
				Intermediate	1250	36.00	20.80		16.30
				Low	1250	28.00	21.20		29.10
HMCG22B601S	TM8E080C20MP11	21.0	XAF/XAFC60H	High	1625	53.00	38.50	17.00	9.80
				Intermediate	1225	36.00	20.60		16.20
				Low	1225	28.00	21.00		28.90
HMCG22B601S	TMLE080C20MP11	21.0	XAF/XAFC60H	High	1625	53.00	38.50	17.00	9.80
				Intermediate	1225	36.00	20.60		16.20
				Low	1225	28.00	21.00		28.90
HMCG22B601S	TM9Y100C20MP11	24.5	XAH/XAHD60H	High	1550	52.50	35.60	16.50	9.80
				Intermediate	1150	35.40	19.80		15.85
				Low	1150	27.40	20.20		27.95
HMCG22B601S	TM9V120D20MP12C	24.5	XAH/XAHD60H	High	1700	53.50	39.00	17.00	9.80
				Intermediate	1025	34.80	18.40		16.30
				Low	1025	27.00	19.20		30.25
HMCG22B601S	TP9C120D20MP13C	24.5	XAH/XAHD60H	High	1700	53.50	39.00	17.00	9.80
				Intermediate	1025	34.80	18.40		16.30
				Low	1025	27.00	19.20		30.25
HMCG22B601S	YP9C120D20MP13C	24.5	XAH/XAHD60H	High	1700	53.50	39.00	17.00	9.80
				Intermediate	1025	34.80	18.40		16.30
				Low	1025	27.00	19.20		30.25
HMCG22B601S	TM9V100C20MP12C	24.5	XAF/XAF/XAUD60H	High	1650	53.00	38.50	17.00	9.80
				Intermediate	1050	34.80	18.70		16.00
				Low	1050	27.00	19.40		28.85
HMCG22B601S	TP9C100C20MP13C	24.5	XAF/XAF/XAUD60H	High	1650	53.00	38.50	17.00	9.80
				Intermediate	1050	34.80	18.70		16.00
				Low	1050	27.00	19.40		28.85
HMCG22B601S	YP9C100C20MP13C	24.5	XAF/XAF/XAUD60H	High	1650	53.00	38.50	17.00	9.80
				Intermediate	1050	34.80	18.70		16.00
				Low	1050	27.00	19.40		28.85
HMCG22B601S	TM9V100C16MP12C	24.5	XAF/XAF/XAUD60H	High	1650	53.00	38.50	16.50	9.80
				Intermediate	1150	35.40	19.70		15.95
				Low	1150	27.40	20.20		28.30

Table 9: Furnace capacity - 5 ton

Outdoor unit model	Furnace model	Furnace width (in.)	Indoor coil model	Stage	Rated CFM	Net cool (MBH)	Sens cool (MBH)	SEER2	EER2
HMCG22B601S	TP9C100C16MP13C	24.5	XAF/XAF/XAUD60H	High	1650	53.00	38.50	16.50	9.80
				Intermediate	1150	35.40	19.70		15.95
				Low	1150	27.40	20.20		28.30
HMCG22B601S	YP9C100C16MP13C	24.5	XAF/XAF/XAUD60H	High	1650	53.00	38.50	16.50	9.80
				Intermediate	1150	35.40	19.70		15.95
				Low	1150	27.40	20.20		28.30
HMCG22B601S	TM9E100C20MP12	24.5	XAH/XAHD60J	High	1700	54.50	41.00	17.00	10.00
				Intermediate	1225	36.00	22.00		16.25
				Low	1225	27.20	21.80		28.45
HMCG22B601S	TM9E100C16MP12	24.5	XAH/XAHD60H	High	1500	52.00	37.20	17.00	9.80
				Intermediate	1050	34.80	18.70		16.00
				Low	1050	27.00	19.40		28.90
HMCG22B601S	TM9E080C20MP12	24.5	XAH/XAHD60H	High	1750	54.00	39.50	17.00	9.90
				Intermediate	1225	36.00	20.60		16.25
				Low	1225	28.00	21.00		29.05
HMCG22B601S	TM8Y120C20MP11	24.5	XAH/XAHD60H	High	1725	53.50	39.50	17.50	9.80
				Intermediate	1025	35.00	18.40		16.50
				Low	1025	27.20	19.20		31.10
HMCG22B601S	TM8Y100C20MP11	24.5	XAH/XAHD60H	High	1725	53.50	39.50	17.50	9.80
				Intermediate	1025	35.00	18.40		16.50
				Low	1025	27.20	19.20		31.10
HMCG22B601S	TM8V100C20MP12C	24.5	XAH/XAHD60J	High	1750	54.00	41.50	17.00	9.80
				Intermediate	1175	35.80	21.60		16.25
				Low	1175	27.00	21.40		28.60
HMCG22B601S	TM8E130D20MP11	24.5	XAH/XAHD60H	High	1675	53.00	38.50	17.00	9.80
				Intermediate	1250	36.00	20.80		16.15
				Low	1250	28.00	21.20		28.55
HMCG22B601S	TMLE130D20MP11	24.5	XAH/XAHD60H	High	1675	53.00	38.50	17.00	9.80
				Intermediate	1250	36.00	20.80		16.15
				Low	1250	28.00	21.20		28.55
HMCG22B601S	TM8E120C20MP11	24.5	XAF/XAFD60J	High	1650	54.00	40.50	17.00	9.80
				Intermediate	1250	36.20	22.20		16.10
				Low	1250	27.20	22.00		27.80
HMCG22B601S	TMLE120C20MP11	24.5	XAF/XAFD60J	High	1650	54.00	40.50	17.00	9.80
				Intermediate	1250	36.20	22.20		16.10
				Low	1250	27.20	22.00		27.80
HMCG22B601S	TM8E100C20MP11	21.0	XAH/XAHC60H	High	1625	53.00	38.50	17.00	9.80
				Intermediate	1250	36.00	20.80		16.30
				Low	1250	28.00	21.20		29.15
HMCG22B601S	TMLE100C20MP11	21.0	XAH/XAHC60H	High	1625	53.00	38.50	17.00	9.80
				Intermediate	1250	36.00	20.80		16.30
				Low	1250	28.00	21.20		29.15
HMCG22B601S	TM8E080C20MP11	21.0	XAH/XAHC60H	High	1625	53.00	38.50	17.00	9.80
				Intermediate	1250	36.20	20.80		16.30
				Low	1250	28.00	21.20		29.20
HMCG22B601S	TMLE080C20MP11	21.0	XAH/XAHC60H	High	1625	53.00	38.50	17.00	9.80
				Intermediate	1250	36.20	20.80		16.30
				Low	1250	28.00	21.20		29.20
HMCG22B601S	TL8E100C20UH11	21.0	XAH/XAHC60H	High	1500	52.50	37.20	17.50	10.00
				Intermediate	1075	35.20	19.00		16.55
				Low	1075	27.40	19.60		30.95

Applications and accessories

Table 10: Minimum and maximum operating limit conditions

Ambient temperature limits	Outdoor coil °F (°C)
	DB cool
Minimum	50 (10)
Maximum	125 (52)

Note:

- The maximum refrigeration piping length for HMCG22B241S and HMCG22B361S is 131 ft.
- The maximum refrigeration piping length for HMCG22B481S and HMCG22B601S is 164 ft.

S1-SLDF083S liquid line filter-drier required if an S1-HMH7AK00* kit is not used.

TXV Kits (S1-1TVM*): Thermal expansion valves precisely meter refrigerant for optimum performance over a wide range of conditions. See Table 4 for the TXV part number for each model.

Sound power rating

Table 11: Sound power data- stage 2- Cooling – Octave Band Sound Power Level (db re. 1-pW)

Outdoor unit model	63 (Hz)	125 (Hz)	250 (Hz)	500 (Hz)	1000 (Hz)	2000 (Hz)	4000 (Hz)	8000 (Hz)	dB(A)	SQI
HMCG22B241S	70	73	64	67	65	55	55	49	69	19.0
HMCG22B361S	70	66	68	67	68	60	58	56	71	19.1
HMCG22B481S	67	72	65	64	65	55	55	44	68	19.0
HMCG22B601S	62	72	63	65	65	59	55	48	68	19.1

Mechanical specifications

Manufacture and certifications

- Units shall be manufactured in an ISO 9001 certified facility.
- Units shall be certified by ETL to UL 1995 and performance certified to ANSI/AHRI Standard 210/240.
- Units shall be sound tested according to ANSI/AHRI Standard 270.
- Certified matched system ratings will be available for download from the AHRI online directory at www.ahridirectory.org.

Unit application

- Units shall be approved for cooling operation between 50°F and 125°F without modification.
- Units shall be approved for refrigeration piping up to a maximum length of 131 ft for HMCG22B241S and HMCG22B361S. Units shall be approved for refrigeration piping up to a maximum length of 164 ft for HMCG22B481S and HMCG22B601S.
- Units shall be approved for installation within 8 in. (long side) and 6 in. (short side) of a flat vertical wall without modification, according to the instructions in the technical literature.
- Units shall be designed to 71 dBA or less to minimize sound pollution.

Unit access

- Units shall be factory leak checked, run tested, and shipped with a holding charge of R-410A refrigerant.
- Unit cabinet components shall be G90 equivalent steel finished with powder-coat paint rated at a minimum of 1,000 h under ASTM B117 testing.
- HMCG22B481S and HMCG22B601S units shall be constructed with a high pressure switch for system protection.
- Units shall be constructed with all badging and labels applied at the factory.

Unit components

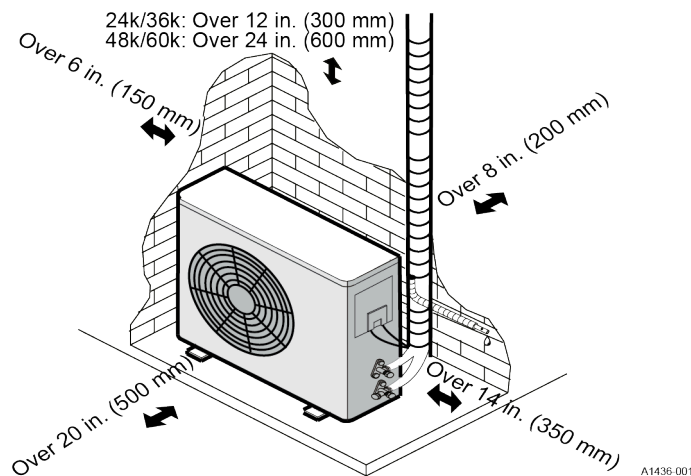
- Compressor shall be hermetic with internal electrical overload protection and internal overpressure protection.
- Compressor shall be mounted on neoprene vibration isolators that do not require the removal of transportation clips or brackets.
- Outdoor fan shall be direct drive with horizontal air discharge for low sound levels.
- Outdoor fan blades shall be swept-wing to minimize sound (applies to select models).
- Outdoor fan motor shall be totally enclosed with permanently lubricated ball bearings motors approved for vertical shaft applications.
- Outdoor fan motor shall be ECM construction with permanently lubricated ball bearing motors.

Unit warranties

- Unit manufacturer shall provide a 5-year compressor warranty without a requirement for unit registration.

Typical installation

Figure 3: Minimum clearances when selecting a location



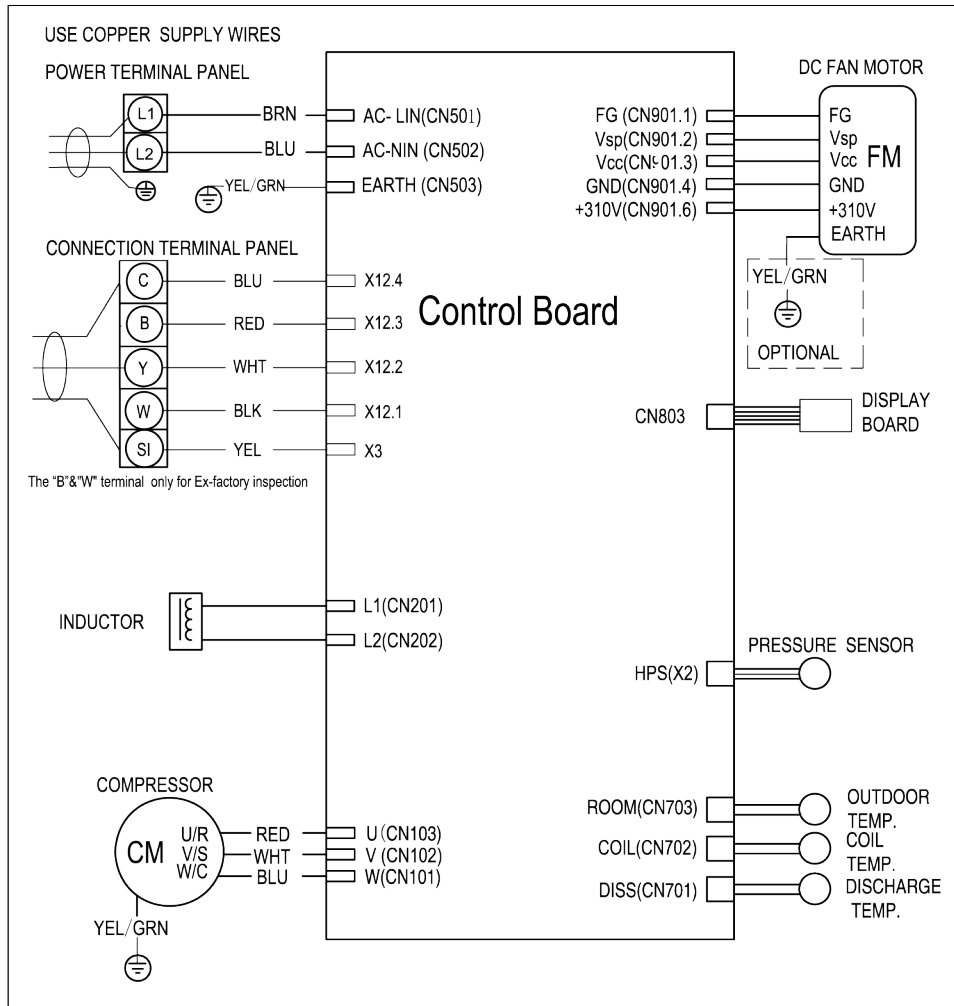
⚠ CAUTION

Caution

Care must be taken to prevent ice from damaging the unit. Damage may occur from ice falling onto unit from a sloped roof or from a vertical drip line due to a partial overhang.

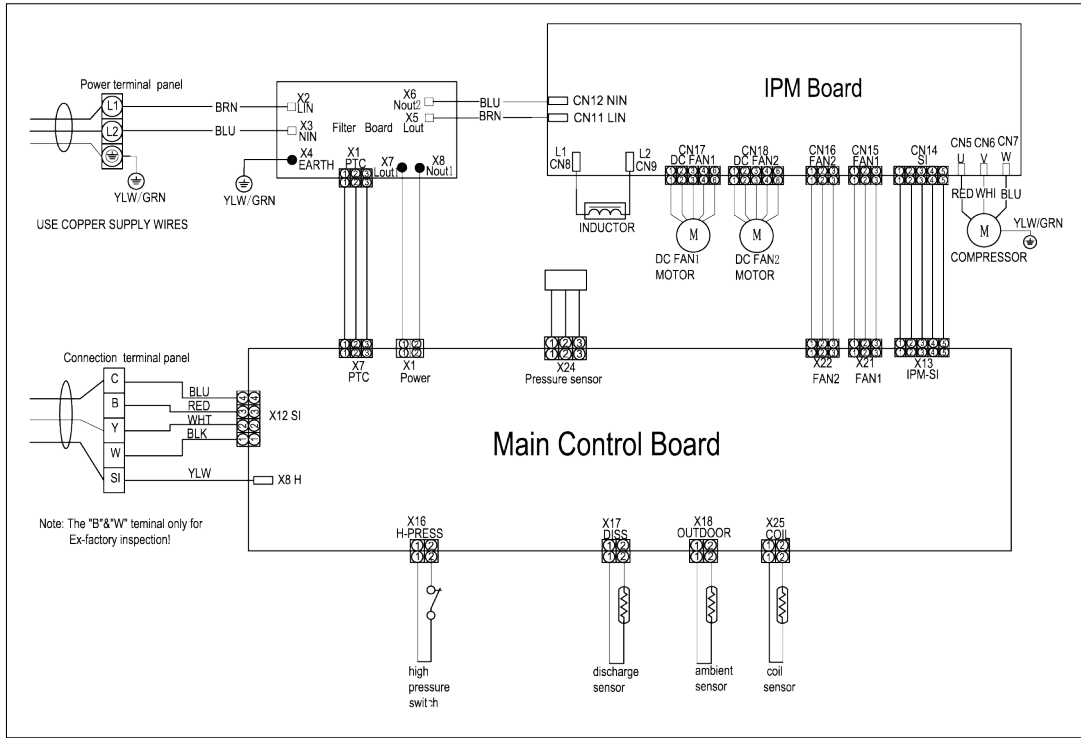
Typical field wiring

Figure 4: HMC22B24 and HMC22B36 electrical wiring diagram



A1813-001

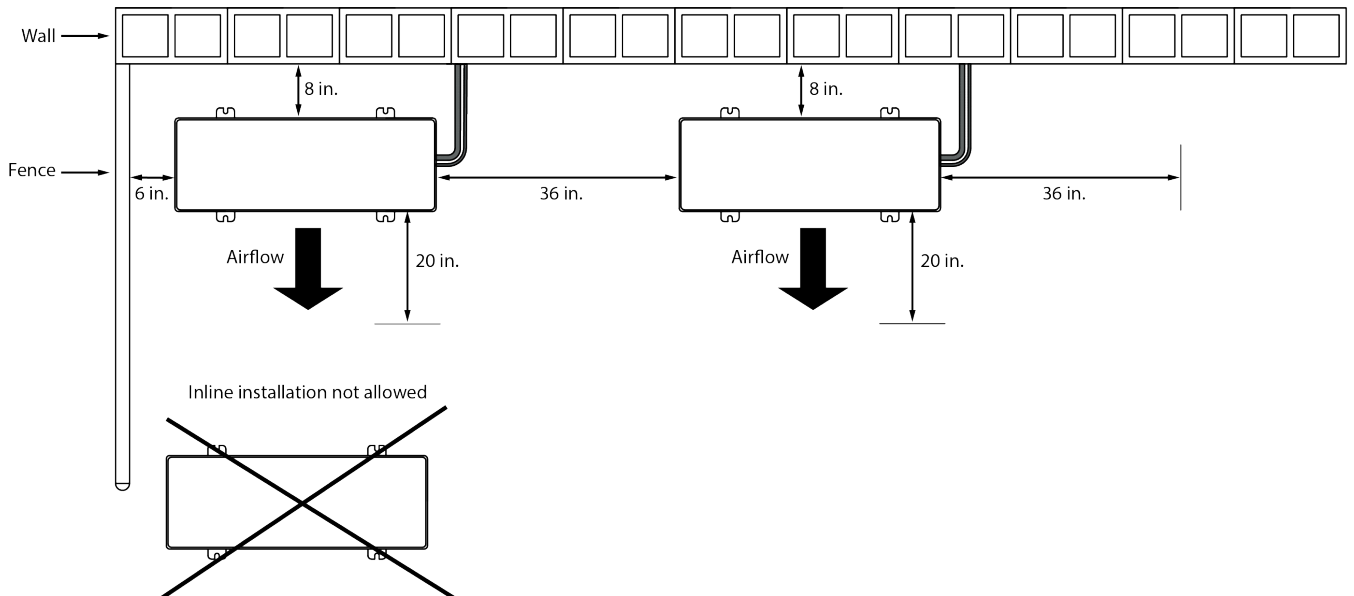
Figure 5: HMG22B48 and HMG22B60 electrical wiring diagram



A1814-001

Alternative installation clearances

Figure 6: Alternative installation clearances



A1499-001

Performance data - 2 ton

Cooling performance data - 2 ton

Table 12: Cooling performance data - 2 ton

Air temperature entering outdoor unit (°F)	ID CFM	600					800					1000				
	ID DB (°F)	80	80	75	80	80	80	80	75	80	80	80	80	75	80	80
	ID WB (°F)	57	62	62	67	72	57	62	62	67	72	57	62	62	67	72
55	TC	22.6	25.1	25.3	27.3	29.9	25.1	26.4	26.4	28.5	31.0	27.5	27.7	27.4	29.8	32.1
55	SC	22.4	19.8	17.4	17.1	14.2	24.7	22.8	19.7	19.4	15.7	27.0	25.7	22.0	21.7	17.3
55	kW	1.06	1.16	1.16	1.15	1.13	1.11	1.17	1.16	1.15	1.13	1.16	1.17	1.17	1.16	1.14
65	TC	22.3	24.3	24.4	26.5	28.9	24.5	25.5	25.5	27.7	30.0	26.7	26.8	26.5	28.8	31.1
65	SC	22.0	19.5	17.0	16.9	13.9	24.1	22.5	19.4	19.2	15.5	26.1	25.4	21.8	21.6	17.0
65	kW	1.30	1.35	1.35	1.35	1.34	1.33	1.36	1.36	1.36	1.35	1.37	1.37	1.38	1.37	1.36
75	TC	22.0	23.4	23.6	25.7	28.0	24.0	24.7	24.6	26.8	29.0	25.9	25.9	25.6	27.8	30.0
75	SC	21.5	19.3	16.7	16.6	13.6	23.4	22.2	19.1	19.0	15.2	25.3	25.1	21.5	21.4	16.7
75	kW	1.53	1.54	1.54	1.55	1.56	1.55	1.56	1.56	1.57	1.57	1.57	1.58	1.58	1.58	1.59
85	TC	21.2	22.3	22.4	24.4	26.8	23.0	23.5	23.4	25.5	27.7	24.8	24.6	24.3	26.5	28.7
85	SC	20.7	18.5	16.0	15.9	13.1	22.3	21.2	18.2	18.2	14.6	23.8	24.0	20.5	20.6	16.2
85	kW	1.73	1.74	1.74	1.76	1.78	1.76	1.77	1.77	1.78	1.80	1.79	1.79	1.79	1.80	1.82
95	TC	20.3	21.2	21.2	23.1	25.6	22.0	22.3	22.2	24.2	26.4	23.6	23.4	23.1	25.2	27.3
95	SC	19.9	17.7	15.2	15.1	12.6	21.1	20.2	17.3	17.5	14.1	22.3	22.8	19.5	19.8	15.6
95	kW	1.94	1.95	1.95	1.98	2.00	1.97	1.98	1.97	2.00	2.02	2.00	2.01	2.00	2.03	2.05
105	TC	18.2	19.0	18.9	20.8	22.3	19.7	20.0	19.7	21.6	23.0	21.1	21.1	20.5	22.5	23.7
105	SC	17.8	16.6	14.0	14.3	11.5	18.9	18.8	16.4	16.6	13.0	20.0	21.0	18.8	18.9	14.6
105	kW	1.94	1.98	1.98	2.01	1.94	1.96	2.01	2.00	2.04	1.96	1.99	2.03	2.02	2.06	1.98
115	TC	16.2	16.8	16.6	18.5	19.1	17.4	17.9	17.3	19.2	19.6	18.6	18.9	18.0	19.9	20.2
115	SC	15.8	15.5	12.9	13.5	10.4	16.8	17.4	15.5	15.8	12.0	17.7	18.9	18.0	18.0	13.5
115	kW	1.94	2.01	2.00	2.05	1.88	1.96	2.03	2.02	2.07	1.90	1.98	2.05	2.03	2.09	1.92
125	TC	14.1	14.7	14.3	16.3	16.0	15.1	15.7	14.9	16.8	16.3	16.1	16.7	15.4	17.2	16.6
125	SC	13.8	14.4	11.7	12.7	9.3	14.6	15.7	14.6	14.9	10.9	15.5	16.7	15.4	17.1	12.5
125	kW	1.95	2.05	2.03	2.08	1.82	1.95	2.06	2.04	2.10	1.84	1.96	2.07	2.05	2.12	1.86

Cool multiplier airhandler - 2 ton

Table 13: Cool multiplier air handler - 2 ton

Air handler model	Indoor coil model	Total capacity	Sensible capacity	kW
JHETB18BBAS2N1	—	1.00	0.99	1.00
JHETB24CBAS2N1	—	0.99	0.98	0.99
JHVTB18BBAC2N1	—	0.98	0.96	1.02
JHVTB24CBAC2N1	—	0.99	0.98	0.99

Cool multiplier furnace - 2 ton

Table 14: Cool multiplier furnace - 2 ton

Furnace model	Indoor coil model	Total capacity	Sensible capacity	kW
TL8E060A12UH11	XAF/XAF/XAUA24B	0.96	0.90	1.00
TL8E060A12UH11	XAF/XAF/XAUB30C	0.98	0.94	0.98
TL8E060A12UH11	XAF/XAFB24B	0.97	0.92	1.01
TL8E060A12UH11	XAH/XAHA24B	0.96	0.90	1.00
TL8E060A12UH11	XAH/XAHB24B	0.97	0.92	1.01

Table 14: Cool multiplier furnace - 2 ton

Furnace model	Indoor coil model	Total capacity	Sensible capacity	kW
TL8E060A12UH11	XAH/XAHB30C	0.98	0.93	1.02
TL9E060B12UH11	XAF/XAF/XAUB30C	0.98	0.95	1.03
TL9E060B12UH11	XAF/XAFB24B	0.97	0.93	1.01
TL9E060B12UH11	XAF/XAFC30C	0.98	0.95	1.03
TL9E060B12UH11	XAH/XAHB24B	0.96	0.91	1.00
TL9E060B12UH11	XAH/XAHB30C	0.98	0.93	1.02
TL9E060B12UH11	XAH/XAHC30C	0.98	0.95	1.03
TM8E040A12MP11	XAF/XAF/XAUA24B	0.97	0.92	1.01
TM8E040A12MP11	XAF/XAF/XAUB30C	0.98	0.95	0.98
TM8E040A12MP11	XAF/XAFB24B	0.97	0.93	1.01
TM8E040A12MP11	XAH/XAHA24B	0.96	0.91	1.00
TM8E040A12MP11	XAH/XAHB24B	0.97	0.93	1.01
TM8E040A12MP11	XAH/XAHB30C	0.98	0.95	0.98
TM8E060A12MP11	XAF/XAF/XAUA24B	0.97	0.92	1.01
TM8E060A12MP11	XAF/XAF/XAUB30C	0.98	0.95	0.98
TM8E060A12MP11	XAF/XAFB24B	0.97	0.93	1.01
TM8E060A12MP11	XAH/XAHA24B	0.96	0.90	1.00
TM8E060A12MP11	XAH/XAHB24B	0.97	0.92	1.01
TM8E060A12MP11	XAH/XAHB30C	0.98	0.93	1.02
TM8E080B12MP11	XAF/XAF/XAUB30C	0.98	0.97	0.98
TM8E080B12MP11	XAF/XAFB24B	0.97	0.93	1.01
TM8E080B12MP11	XAF/XAFC30C	0.98	0.97	0.98
TM8E080B12MP11	XAH/XAHB24B	0.97	0.93	1.01
TM8E080B12MP11	XAH/XAHB30C	0.98	0.95	1.03
TM8E080B12MP11	XAH/XAHC30C	0.98	0.97	1.03
TM8E080C16MP11	XAH/XAHC30C	0.98	0.95	0.98
TM8E100B12MP11	XAF/XAF/XAUB30C	0.98	0.97	0.98
TM8E100B12MP11	XAF/XAFB24B	0.97	0.94	1.01
TM8E100B12MP11	XAF/XAFC30C	0.98	0.97	0.98
TM8E100B12MP11	XAH/XAHB24B	0.97	0.93	1.01
TM8E100B12MP11	XAH/XAHB30C	0.98	0.95	1.03
TM8E100B12MP11	XAH/XAHC30C	0.98	0.97	0.98
TM8E100C16MP11	XAF/XAFC30C	0.98	0.94	0.98
TM8E100C16MP11	XAH/XAHC30C	0.98	0.94	0.98
TM8E120C16MP11	XAF/XAFC30C	0.98	0.95	0.98
TM8V060A12MP12C	XAF/XAF/XAUB30C	0.98	0.94	0.98
TM8V080B12MP12C	XAF/XAF/XAUB30C	0.98	0.94	1.02
TM8V080B12MP12C	XAF/XAFB24B	0.96	0.91	1.05
TM8V080B12MP12C	XAF/XAFC30C	0.98	0.94	1.02

Table 14: Cool multiplier furnace - 2 ton

Furnace model	Indoor coil model	Total capacity	Sensible capacity	kW
TM8V080B12MP12C	XAH/XAHB24B	0.96	0.91	1.05
TM8V080B12MP12C	XAH/XAHB30C	0.98	0.94	1.02
TM8V080B12MP12C	XAH/XAHC30C	0.98	0.94	1.02
TM8Y060A12MP11	XAF/XAF/XAUA24B	0.97	0.94	1.06
TM8Y060A12MP11	XAF/XAF/XAUB30C	0.98	0.91	0.98
TM8Y060A12MP11	XAF/XAFB24B	0.97	0.95	1.01
TM8Y060A12MP11	XAH/XAHA24B	0.97	0.94	1.06
TM8Y060A12MP11	XAH/XAHB24B	0.97	0.95	1.01
TM8Y060A12MP11	XAH/XAHB30C	0.98	0.97	1.03
TM8Y080B12MP11	XAF/XAF/XAUB30C	0.98	0.93	0.98
TM8Y080B12MP11	XAF/XAFB24B	0.96	0.89	1.00
TM8Y080B12MP11	XAF/XAFC30C	0.98	0.93	0.98
TM8Y080B12MP11	XAH/XAHB24B	0.96	0.89	1.00
TM8Y080B12MP11	XAH/XAHB30C	0.98	0.91	0.98
TM8Y080B12MP11	XAH/XAHC30C	0.98	0.91	0.98
TM8Y080C16MP11	XAF/XAFC30C	0.99	0.98	0.99
TM8Y080C16MP11	XAH/XAHC30C	0.99	0.98	0.99
TM8Y100C16MP11	XAF/XAFC30C	0.99	0.98	0.99
TM8Y100C16MP11	XAH/XAHC30C	0.99	0.98	0.99
TM9E026A08MP12	XAF/XAF/XAUA24B	0.96	0.93	1.05
TM9E026A08MP12	XAF/XAF/XAUB30C	0.98	0.96	1.07
TM9E026A08MP12	XAF/XAFB24B	0.96	0.93	1.05
TM9E026A08MP12	XAH/XAHA24B	0.95	0.90	1.04
TM9E026A08MP12	XAH/XAHB24B	0.96	0.93	1.05
TM9E026A08MP12	XAH/XAHB30C	0.98	0.95	1.07
TM9E040A10MP12	XAF/XAF/XAUA24B	0.96	0.91	1.05
TM9E040A10MP12	XAF/XAF/XAUB30C	0.98	0.95	1.02
TM9E040A10MP12	XAF/XAFB24B	0.96	0.93	1.05
TM9E040A10MP12	XAH/XAHA24B	0.96	0.91	1.05
TM9E040A10MP12	XAH/XAHB24B	0.96	0.93	1.05
TM9E040A10MP12	XAH/XAHB30C	0.98	0.95	1.02
TM9E060A10MP12	XAF/XAF/XAUA24B	0.96	0.91	1.05
TM9E060A10MP12	XAF/XAF/XAUB30C	0.98	0.97	1.03
TM9E060A10MP12	XAF/XAFB24B	0.97	0.94	1.01
TM9E060A10MP12	XAH/XAHA24B	0.96	0.91	1.05
TM9E060A10MP12	XAH/XAHB24B	0.96	0.91	1.05
TM9E060A10MP12	XAH/XAHB30C	0.98	0.94	1.02
TM9E060B12MP12	XAF/XAFB24B	0.97	0.96	1.06
TM9E060B12MP12	XAH/XAHB24B	0.97	0.96	1.06

Table 14: Cool multiplier furnace - 2 ton

Furnace model	Indoor coil model	Total capacity	Sensible capacity	kW
TM9E060B12MP12	XAH/XAHB30C	0.98	0.98	1.03
TM9E060B12MP12	XAH/XAHC30C	0.98	0.98	1.03
TM9E080B12MP12	XAF/XAFB24B	0.97	0.95	1.01
TM9E080B12MP12	XAH/XAHB24B	0.97	0.95	1.01
TM9E080B12MP12	XAH/XAHB30C	0.98	0.97	1.03
TM9E080B12MP12	XAH/XAHC30C	0.98	0.97	1.03
TM9E080C16MP12	XAF/XAFC30C	0.98	0.94	0.98
TM9E080C16MP12	XAH/XAHC30C	0.98	0.93	0.98
TM9E100C16MP12	XAF/XAFC30C	0.98	0.95	0.98
TM9E100C16MP12	XAH/XAHC30C	0.98	0.95	0.98
TM9V040A10MP12C	XAF/XAF/XAUA24B	0.96	0.94	1.05
TM9V040A10MP12C	XAF/XAF/XAUB30C	0.98	0.96	1.07
TM9V040A10MP12C	XAF/XAFB24B	0.96	0.94	1.05
TM9V040A10MP12C	XAH/XAHA24B	0.96	0.94	1.05
TM9V040A10MP12C	XAH/XAHB24B	0.96	0.94	1.05
TM9V040A10MP12C	XAH/XAHB30C	0.98	0.96	1.07
TM9V060B12MP12C	XAF/XAF/XAUB30C	0.98	0.95	1.03
TM9V060B12MP12C	XAF/XAFB24B	0.96	0.91	1.00
TM9V060B12MP12C	XAF/XAFC30C	0.98	0.95	1.03
TM9V060B12MP12C	XAH/XAHB24B	0.96	0.91	1.05
TM9V060B12MP12C	XAH/XAHB30C	0.98	0.93	1.02
TM9V060B12MP12C	XAH/XAHC30C	0.98	0.93	1.02
TM9V080B12MP12C	XAF/XAF/XAUB30C	0.98	0.97	1.03
TM9V080B12MP12C	XAF/XAFB24B	0.97	0.94	1.01
TM9V080B12MP12C	XAF/XAFC30C	0.98	0.97	1.03
TM9V080B12MP12C	XAH/XAHB24B	0.97	0.94	1.01
TM9V080B12MP12C	XAH/XAHB30C	0.98	0.97	1.03
TM9V080B12MP12C	XAH/XAHC30C	0.98	0.97	1.03
TM9Y040A10MP11	XAF/XAF/XAUA24B	0.95	0.89	1.04
TM9Y040A10MP11	XAF/XAF/XAUB30C	0.97	0.91	1.06
TM9Y040A10MP11	XAF/XAFB24B	0.95	0.89	1.04
TM9Y040A10MP11	XAH/XAHA24B	0.95	0.89	1.04
TM9Y040A10MP11	XAH/XAHB24B	0.95	0.89	1.04
TM9Y040A10MP11	XAH/XAHB30C	0.97	0.91	1.06
TM9Y060B12MP11	XAF/XAF/XAUB30C	0.98	0.95	1.03
TM9Y060B12MP11	XAF/XAFB24B	0.97	0.93	1.01
TM9Y060B12MP11	XAF/XAFC30C	0.98	0.95	1.03
TM9Y060B12MP11	XAH/XAHB24B	0.96	0.91	1.00
TM9Y060B12MP11	XAH/XAHB30C	0.98	0.93	1.02

Table 14: Cool multiplier furnace - 2 ton

Furnace model	Indoor coil model	Total capacity	Sensible capacity	kW
TM9Y060B12MP11	XAH/XAHC30C	0.98	0.95	1.03
TM9Y080B12MP11	XAF/XAF/XAUB30C	0.98	0.97	1.03
TM9Y080B12MP11	XAF/XAFB24B	0.97	0.94	1.01
TM9Y080B12MP11	XAF/XAFC30C	0.98	0.97	1.03
TM9Y080B12MP11	XAH/XAHB24B	0.97	0.94	1.01
TM9Y080B12MP11	XAH/XAHB30C	0.98	0.97	1.03
TM9Y080B12MP11	XAH/XAHC30C	0.98	0.97	1.03
TM9Y080C16MP11	XAF/XAFC30C	0.99	0.98	1.04
TM9Y080C16MP11	XAH/XAHC30C	0.99	0.98	1.04
TM9Y100C16MP11	XAF/XAFC30C	0.99	0.98	1.04
TM9Y100C16MP11	XAH/XAHC30C	0.98	0.97	1.03
TMLE040A12MP11	XAF/XAF/XAUA24B	0.97	0.92	1.01
TMLE040A12MP11	XAF/XAF/XAUB30C	0.98	0.95	0.98
TMLE040A12MP11	XAF/XAFB24B	0.97	0.93	1.01
TMLE040A12MP11	XAH/XAHA24B	0.96	0.91	1.00
TMLE040A12MP11	XAH/XAHB24B	0.97	0.93	1.01
TMLE040A12MP11	XAH/XAHB30C	0.98	0.95	0.98
TMLE060A12MP11	XAF/XAF/XAUA24B	0.97	0.92	1.01
TMLE060A12MP11	XAF/XAF/XAUB30C	0.98	0.95	0.98
TMLE060A12MP11	XAF/XAFB24B	0.97	0.93	1.01
TMLE060A12MP11	XAH/XAHA24B	0.96	0.90	1.00
TMLE060A12MP11	XAH/XAHB24B	0.97	0.92	1.01
TMLE060A12MP11	XAH/XAHB30C	0.98	0.93	1.02
TMLE080B12MP11	XAF/XAF/XAUB30C	0.98	0.97	0.98
TMLE080B12MP11	XAF/XAFB24B	0.97	0.93	1.01
TMLE080B12MP11	XAF/XAFC30C	0.98	0.97	0.98
TMLE080B12MP11	XAH/XAHB24B	0.97	0.93	1.01
TMLE080B12MP11	XAH/XAHB30C	0.98	0.95	1.03
TMLE080B12MP11	XAH/XAHC30C	0.98	0.97	1.03
TMLE080C16MP11	XAH/XAHC30C	0.98	0.95	0.98
TMLE100B12MP11	XAF/XAF/XAUB30C	0.98	0.97	0.98
TMLE100B12MP11	XAF/XAFB24B	0.97	0.94	1.01
TMLE100B12MP11	XAF/XAFC30C	0.98	0.97	0.98
TMLE100B12MP11	XAH/XAHB24B	0.97	0.93	1.01
TMLE100B12MP11	XAH/XAHB30C	0.98	0.95	1.03
TMLE100B12MP11	XAH/XAHC30C	0.98	0.97	0.98
TMLE100C16MP11	XAF/XAFC30C	0.98	0.94	0.98
TMLE100C16MP11	XAH/XAHC30C	0.98	0.94	0.98
TMLE120C16MP11	XAF/XAFC30C	0.98	0.95	0.98

Table 14: Cool multiplier furnace - 2 ton

Furnace model	Indoor coil model	Total capacity	Sensible capacity	kW
TMLV060A12MP12C	XAF/XAF/XAUB30C	0.98	0.94	0.98
TP9C060B12MP13C	XAF/XAF/XAUB30C	0.98	0.95	1.03
TP9C060B12MP13C	XAF/XAFB24B	0.96	0.91	1.00
TP9C060B12MP13C	XAF/XAFC30C	0.98	0.95	1.03
TP9C060B12MP13C	XAH/XAHB24B	0.96	0.91	1.05
TP9C060B12MP13C	XAH/XAHB30C	0.98	0.93	1.02
TP9C060B12MP13C	XAH/XAHC30C	0.98	0.93	1.02
TP9C080B12MP13C	XAF/XAF/XAUB30C	0.98	0.97	1.03
TP9C080B12MP13C	XAF/XAFB24B	0.97	0.94	1.01
TP9C080B12MP13C	XAF/XAFC30C	0.98	0.97	1.03
TP9C080B12MP13C	XAH/XAHB24B	0.97	0.94	1.01
TP9C080B12MP13C	XAH/XAHB30C	0.98	0.97	1.03
TP9C080B12MP13C	XAH/XAHC30C	0.98	0.97	1.03
TPLC060A12MP13C	XAF/XAF/XAUB30C	0.98	0.94	0.98
TPLC080B12MP13C	XAF/XAF/XAUB30C	0.98	0.94	1.02
TPLC080B12MP13C	XAF/XAFB24B	0.96	0.91	1.05
TPLC080B12MP13C	XAF/XAFC30C	0.98	0.94	1.02
TPLC080B12MP13C	XAH/XAHB24B	0.96	0.91	1.05
TPLC080B12MP13C	XAH/XAHB30C	0.98	0.94	1.02
TPLC080B12MP13C	XAH/XAHC30C	0.98	0.94	1.02
YP9C060B12MP13C	XAF/XAF/XAUB30C	0.98	0.95	1.03
YP9C060B12MP13C	XAF/XAFB24B	0.96	0.91	1.00
YP9C060B12MP13C	XAF/XAFC30C	0.98	0.95	1.03
YP9C060B12MP13C	XAH/XAHB24B	0.96	0.91	1.05
YP9C060B12MP13C	XAH/XAHB30C	0.98	0.93	1.02
YP9C060B12MP13C	XAH/XAHC30C	0.98	0.93	1.02
YP9C080B12MP13C	XAF/XAF/XAUB30C	0.98	0.97	1.03
YP9C080B12MP13C	XAF/XAFB24B	0.97	0.94	1.01
YP9C080B12MP13C	XAF/XAFC30C	0.98	0.97	1.03
YP9C080B12MP13C	XAH/XAHB24B	0.97	0.94	1.01
YP9C080B12MP13C	XAH/XAHB30C	0.98	0.97	1.03
YP9C080B12MP13C	XAH/XAHC30C	0.98	0.97	1.03
YPLC060A12MP13C	XAF/XAF/XAUB30C	0.98	0.94	0.98
YPLC080B12MP13C	XAF/XAF/XAUB30C	0.98	0.94	1.02
YPLC080B12MP13C	XAF/XAFB24B	0.96	0.91	1.05
YPLC080B12MP13C	XAF/XAFC30C	0.98	0.94	1.02
YPLC080B12MP13C	XAH/XAHB24B	0.96	0.91	1.05
YPLC080B12MP13C	XAH/XAHB30C	0.98	0.94	1.02
YPLC080B12MP13C	XAH/XAHC30C	0.98	0.94	1.02

Performance data - 3 ton

Cooling performance data - 3 ton

Table 15: Cooling performance data - 3 ton

Air temperature entering outdoor unit (°F)	ID CFM	1000					1200					1400					
	ID DB (°F)	80	80	75	80	80	80	80	75	80	80	80	80	80	75	80	80
	ID WB (°F)	57	62	62	67	72	57	62	62	67	72	57	62	62	67	72	
55	TC	32.4	39.0	39.1	42.3	45.8	35.6	39.7	39.8	43.0	46.3	38.9	40.5	40.5	43.7	46.9	
55	SC	32.4	32.9	28.6	28.2	23.2	35.6	35.2	30.2	29.8	24.0	38.9	37.7	31.9	31.5	24.9	
55	kW	1.60	2.08	2.08	2.11	2.14	2.01	2.26	2.26	2.29	2.33	2.39	2.42	2.42	2.45	2.48	
65	TC	33.5	37.8	37.9	41.1	44.6	35.8	38.4	38.5	41.7	45.0	38.1	39.1	39.1	42.4	45.6	
65	SC	33.5	32.5	28.2	27.9	23.0	35.8	34.8	29.9	29.6	23.8	38.1	37.2	31.7	31.3	24.8	
65	kW	2.06	2.33	2.33	2.38	2.42	2.38	2.51	2.52	2.56	2.61	2.66	2.67	2.68	2.72	2.77	
75	TC	34.7	36.6	36.7	40.0	43.3	36.0	37.1	37.1	40.4	43.8	37.3	37.8	37.7	41.0	44.3	
75	SC	34.7	32.1	27.9	27.5	22.7	35.8	34.4	29.6	29.3	23.6	37.1	36.7	31.4	31.2	24.7	
75	kW	2.53	2.58	2.58	2.64	2.70	2.74	2.77	2.77	2.84	2.89	2.92	2.93	2.94	3.00	3.06	
85	TC	33.6	35.1	35.2	38.2	41.5	34.7	35.5	35.5	38.6	41.9	35.9	36.1	36.0	39.1	42.4	
85	SC	33.6	31.4	27.0	26.8	21.9	34.7	33.5	28.7	28.5	22.9	35.9	35.8	30.6	30.2	23.9	
85	kW	2.81	2.85	2.85	2.93	3.00	3.02	3.04	3.05	3.12	3.19	3.21	3.21	3.21	3.29	3.36	
95	TC	32.4	33.5	33.6	36.5	39.7	33.4	33.9	33.9	36.8	40.0	34.5	34.4	34.3	37.2	40.4	
95	SC	32.4	30.6	26.2	26.0	21.2	33.4	32.7	27.9	27.6	22.1	34.5	34.4	29.8	29.3	23.2	
95	kW	3.08	3.12	3.12	3.21	3.29	3.30	3.32	3.32	3.41	3.49	3.49	3.49	3.49	3.58	3.67	
105	TC	28.1	29.0	28.8	31.3	33.5	28.7	29.3	28.9	31.3	33.5	29.4	29.6	29.2	31.3	33.6	
105	SC	28.1	27.4	24.1	24.0	19.0	28.7	28.8	25.4	25.4	20.1	29.4	29.6	26.8	26.9	21.2	
105	kW	2.82	2.87	2.89	2.96	2.96	3.03	3.07	3.07	3.13	3.14	3.20	3.24	3.23	3.27	3.29	
115	TC	23.9	24.6	24.1	26.3	27.4	24.2	24.7	24.1	25.9	27.1	24.5	25.0	24.1	25.6	27.0	
115	SC	23.9	24.2	22.0	22.1	16.8	24.2	24.7	22.9	23.2	18.1	24.5	25.0	24.0	24.5	19.4	
115	kW	2.58	2.63	2.66	2.72	2.63	2.76	2.82	2.83	2.86	2.80	2.91	2.98	2.97	2.97	2.93	
125	TC	19.7	20.1	19.4	21.2	21.4	19.6	20.2	19.2	20.5	20.8	19.5	20.4	19.1	19.9	20.3	
125	SC	19.7	20.1	19.4	20.1	14.7	19.6	20.2	19.2	20.5	16.1	19.5	20.4	19.1	19.9	17.5	
125	kW	2.33	2.39	2.43	2.47	2.30	2.50	2.58	2.59	2.59	2.45	2.63	2.73	2.71	2.67	2.57	

Cool multiplier airhandler - 3 ton

Table 16: Cool multiplier air handler - 3 ton

Air handler model	Indoor coil model	Total capacity	Sensible capacity	kW
JHETB36DBCS2N1	—	1.00	1.00	1.00
JHVTB36DBCC2N1	—	1.00	0.96	0.91
JHVTC36DBCC2N1	—	1.00	0.96	0.95

Cool multiplier furnace - 3 ton

Table 17: Cool multiplier furnace - 3 ton

Furnace model	Indoor coil model	Total capacity	Sensible capacity	kW
TL8E060A12UH11	XAF/XAF/XAUB36D	0.99	0.93	0.95
TL8E060A12UH11	XAF/XAFB36E	1.00	0.90	0.91
TL8E060A12UH11	XAFA30D	1.00	0.98	0.95
TL8E080C16UH11	XAF/XAF/XAUC48F	1.00	0.99	0.95
TL8E080C16UH11	XAF/XAFC36D	0.99	0.92	0.94
TL8E080C16UH11	XAF/XAFD48F	0.99	0.93	0.95

Table 17: Cool multiplier furnace - 3 ton

Furnace model	Indoor coil model	Total capacity	Sensible capacity	kW
TL8E080C16UH11	XAFC30C	1.00	0.99	0.95
TL8E100C20UH11	XAF/XAF/XAUC48F	0.99	0.93	0.95
TL8E100C20UH11	XAF/XAFC36D	0.99	0.93	0.95
TL8E100C20UH11	XAF/XAFD48F	1.00	0.99	0.95
TL8E100C20UH11	XAFC30C	1.00	0.99	0.95
TL9E060B12UH11	XAF/XAF/XAUB36D	1.00	0.99	1.00
TL9E060B12UH11	XAF/XAF/XAUC48F	0.99	0.94	0.95
TL9E060B12UH11	XAF/XAFB36E	0.99	0.93	0.95
TL9E060B12UH11	XAF/XAUB30C	0.99	0.93	0.95
TL9E060B12UH11	XAFC30C	0.99	0.91	0.94
TL9E080C16UH11	XAF/XAF/XAUC48F	0.99	0.92	0.94
TL9E080C16UH11	XAF/XAFC36D	1.00	0.96	0.95
TL9E080C16UH11	XAF/XAFD48F	0.99	0.91	0.94
TL9E080C16UH11	XAFC30C	0.99	0.95	0.95
TL9E100C20UH11	XAF/XAF/XAUC48F	1.00	0.99	1.00
TL9E100C20UH11	XAF/XAFC36D	1.00	0.98	1.00
TL9E100C20UH11	XAF/XAFD48F	0.99	0.96	0.99
TL9E100C20UH11	XAFC30C	0.99	0.91	0.94
TM8E040A12MP11	XAF/XAF/XAUB36D	0.99	0.94	0.95
TM8E040A12MP11	XAF/XAFB36E	0.99	0.90	0.94
TM8E040A12MP11	XAF/XAUB30C	0.99	0.93	0.94
TM8E040A12MP11	XAFA30D	1.00	0.96	0.95
TM8E060A12MP11	XAF/XAF/XAUB36D	1.00	0.98	1.00
TM8E060A12MP11	XAF/XAFB36E	1.00	0.97	0.95
TM8E060A12MP11	XAF/XAUB30C	0.99	0.93	0.95
TM8E080B12MP11	XAF/XAF/XAUB36D	0.99	0.93	0.95
TM8E080B12MP11	XAF/XAF/XAUC48F	0.99	0.93	0.95
TM8E080B12MP11	XAF/XAFB36E	1.00	0.98	1.00
TM8E080B12MP11	XAF/XAFC36D	0.99	0.92	0.94
TM8E080B12MP11	XAF/XAUB30C	0.99	0.96	0.99
TM8E080B12MP11	XAFC30C	0.99	0.96	0.95
TM8E080C16MP11	XAF/XAF/XAUC48F	0.99	0.95	0.99
TM8E080C16MP11	XAF/XAFC36D	0.99	0.91	0.94
TM8E080C16MP11	XAF/XAFD48F	0.99	0.94	0.95
TM8E080C16MP11	XAFC30C	0.98	0.88	0.98
TM8E100B12MP11	XAF/XAF/XAUB36D	0.98	0.91	0.94
TM8E100B12MP11	XAF/XAF/XAUC48F	0.98	0.91	0.94
TM8E100B12MP11	XAF/XAFB36E	0.99	0.95	0.95
TM8E100B12MP11	XAF/XAFC36D	0.99	0.91	0.94

Table 17: Cool multiplier furnace - 3 ton

Furnace model	Indoor coil model	Total capacity	Sensible capacity	kW
TM8E100B12MP11	XAF/XAUB30C	1.00	0.96	0.95
TM8E100B12MP11	XAFC30C	0.99	0.92	0.94
TM8E100C16MP11	XAF/XAF/XAUC48F	0.99	0.90	0.94
TM8E100C16MP11	XAF/XAFC36D	0.99	0.92	0.94
TM8E100C16MP11	XAF/XAFD48F	0.99	0.96	0.95
TM8E100C16MP11	XAFC30C	0.98	0.91	0.94
TM8E100C20MP11	XAF/XAFC36D	0.98	0.93	0.98
TM8E120C16MP11	XAF/XAF/XAUC48F	0.99	0.94	0.95
TM8E120C16MP11	XAF/XAFC36D	0.99	0.93	0.94
TM8E120C16MP11	XAFC30C	0.99	0.94	0.99
TM8V080B12MP12C	XAF/XAF/XAUB36D	0.95	0.89	0.95
TM8V080B12MP12C	XAF/XAF/XAUC48F	0.96	0.91	0.92
TM8V080B12MP12C	XAF/XAFB36E	0.97	0.97	0.97
TM8V080B12MP12C	XAF/XAFC36D	0.96	0.90	0.96
TM8V080B12MP12C	XAF/XAUB30C	0.95	0.89	0.95
TM8V080C16MP12C	XAF/XAF/XAUC48F	0.96	0.91	0.91
TM8V080C16MP12C	XAF/XAFC36D	0.95	0.91	0.97
TM8V080C16MP12C	XAF/XAFD48F	0.97	0.98	0.97
TM8V080C16MP12C	XAFC30C	0.96	0.92	0.92
TM8V100C16MP12C	XAF/XAF/XAUC48F	0.96	0.91	0.91
TM8V100C16MP12C	XAF/XAFC36D	0.95	0.91	0.97
TM8V100C16MP12C	XAF/XAFD48F	0.97	0.98	0.97
TM8V100C16MP12C	XAFC30C	0.96	0.92	0.92
TM8Y060A12MP11	XAF/XAF/XAUB36D	0.97	0.96	0.92
TM8Y060A12MP11	XAF/XAFB36E	0.96	0.93	0.96
TM8Y060A12MP11	XAF/XAUB30C	0.97	0.94	0.97
TM8Y060A12MP11	XAFA30D	0.96	0.93	0.96
TM8Y080B12MP11	XAF/XAF/XAUB36D	0.96	0.91	0.91
TM8Y080B12MP11	XAF/XAF/XAUC48F	0.96	0.89	0.91
TM8Y080B12MP11	XAF/XAFB36E	0.96	0.91	0.96
TM8Y080B12MP11	XAF/XAFC36D	0.96	0.91	0.92
TM8Y080B12MP11	XAF/XAUB30C	0.96	0.91	0.96
TM8Y080B12MP11	XAFC30C	0.95	0.90	0.95
TM8Y080C16MP11	XAF/XAF/XAUC48F	0.96	0.91	0.96
TM8Y080C16MP11	XAF/XAFC36D	0.96	0.93	0.96
TM8Y080C16MP11	XAF/XAFD48F	0.96	0.94	0.98
TM8Y080C16MP11	XAFC30C	0.95	0.91	0.97
TM8Y100C16MP11	XAF/XAF/XAUC48F	0.96	0.91	0.96
TM8Y100C16MP11	XAF/XAFD48F	0.96	0.94	0.98

Table 17: Cool multiplier furnace - 3 ton

Furnace model	Indoor coil model	Total capacity	Sensible capacity	kW
TM8Y100C20MP11	XAF/XAF/XAUC48F	0.96	0.90	0.96
TM8Y100C20MP11	XAF/XAFC36D	0.96	0.90	0.96
TM8Y100C20MP11	XAF/XAFD48F	0.96	0.90	0.96
TM8Y100C20MP11	XAFC30C	0.96	0.90	0.96
TM8Y120C20MP11	XAF/XAF/XAUC48F	0.96	0.90	0.96
TM8Y120C20MP11	XAF/XAFC36D	0.96	0.90	0.96
TM8Y120C20MP11	XAFC30C	0.96	0.90	0.96
TM9E060A10MP12	XAF/XAF/XAUB36D	0.96	0.91	0.96
TM9E060A10MP12	XAF/XAFB36E	0.96	0.90	0.96
TM9E060A10MP12	XAF/XAUB30C	0.96	0.91	0.96
TM9E060A10MP12	XAFA30D	0.96	0.95	0.96
TM9E060B12MP12	XAF/XAF/XAUB36D	0.96	0.93	0.96
TM9E060B12MP12	XAF/XAF/XAUC48F	0.96	0.93	0.96
TM9E060B12MP12	XAF/XAFB36E	0.95	0.91	0.97
TM9E060B12MP12	XAF/XAFC36D	0.96	0.93	0.96
TM9E060B12MP12	XAF/XAUB30C	0.94	0.88	0.94
TM9E060B12MP12	XAFC30C	0.96	0.93	0.96
TM9E080B12MP12	XAF/XAF/XAUB36D	0.96	0.95	0.98
TM9E080B12MP12	XAF/XAF/XAUC48F	0.96	0.93	0.96
TM9E080B12MP12	XAF/XAFB36E	0.94	0.88	0.94
TM9E080B12MP12	XAF/XAFC36D	0.95	0.91	0.97
TM9E080B12MP12	XAF/XAUB30C	0.96	0.91	0.96
TM9E080B12MP12	XAFC30C	0.95	0.90	0.95
TM9E080C16MP12	XAF/XAF/XAUC48F	0.99	0.89	0.94
TM9E080C16MP12	XAF/XAFC36D	1.00	0.96	0.95
TM9E080C16MP12	XAF/XAFD48F	0.99	0.89	0.94
TM9E100C16MP12	XAF/XAF/XAUC48F	0.99	0.95	0.99
TM9E100C16MP12	XAF/XAFC36D	0.99	0.91	0.95
TM9E100C16MP12	XAF/XAFD48F	1.00	0.92	0.95
TM9E100C16MP12	XAFC30C	1.00	0.96	0.95
TM9E100C20MP12	XAF/XAF/XAUC48F	1.00	0.92	0.95
TM9E100C20MP12	XAF/XAFC36D	1.00	0.97	0.95
TM9E100C20MP12	XAF/XAFD48F	1.00	0.97	0.95
TM9V040A10MP12C	XAF/XAF/XAUB36D	0.98	0.88	0.94
TM9V040A10MP12C	XAF/XAFB36E	1.00	0.92	0.95
TM9V040A10MP12C	XAF/XAUB30C	0.98	0.91	0.98
TM9V060B12MP12C	XAF/XAF/XAUB36D	0.99	0.94	0.95
TM9V060B12MP12C	XAF/XAF/XAUC48F	1.00	0.93	0.95
TM9V060B12MP12C	XAF/XAFB36E	0.99	0.91	0.95

Table 17: Cool multiplier furnace - 3 ton

Furnace model	Indoor coil model	Total capacity	Sensible capacity	kW
TM9V060B12MP12C	XAF/XAFC36D	0.99	0.92	0.95
TM9V060B12MP12C	XAF/XAUB30C	1.00	0.98	1.00
TM9V060B12MP12C	XAFC30C	0.99	0.92	0.95
TM9V080B12MP12C	XAF/XAF/XAUB36D	0.99	0.89	0.94
TM9V080B12MP12C	XAF/XAF/XAUC48F	0.99	0.91	0.99
TM9V080B12MP12C	XAF/XAFB36E	1.00	0.95	0.95
TM9V080B12MP12C	XAF/XAFC36D	0.99	0.96	0.95
TM9V080B12MP12C	XAF/XAUB30C	0.99	0.94	0.99
TM9V080B12MP12C	XAFC30C	0.99	0.91	0.95
TM9V080C16MP12C	XAF/XAF/XAUC48F	0.99	0.93	0.99
TM9V080C16MP12C	XAF/XAFC36D	0.99	0.91	0.94
TM9V080C16MP12C	XAF/XAFD48F	0.99	0.96	0.99
TM9V080C16MP12C	XAFC30C	0.99	0.91	0.94
TM9V100C16MP12C	XAF/XAF/XAUC48F	0.99	0.92	0.95
TM9V100C16MP12C	XAF/XAFC36D	0.99	0.92	0.95
TM9V100C16MP12C	XAF/XAFD48F	0.99	0.96	0.99
TM9V100C16MP12C	XAFC30C	0.99	0.89	0.90
TM9V100C20MP12C	XAF/XAF/XAUC48F	0.99	0.89	0.94
TM9V100C20MP12C	XAF/XAFD48F	0.99	0.93	0.99
TM9V120D20MP12C	XAF/XAFD48F	0.99	0.93	0.99
TM9Y060B12MP11	XAF/XAF/XAUB36D	0.99	0.88	0.94
TM9Y060B12MP11	XAF/XAF/XAUC48F	0.99	0.91	0.95
TM9Y060B12MP11	XAF/XAFB36E	0.99	0.89	0.95
TM9Y060B12MP11	XAF/XAFC36D	0.99	0.88	0.94
TM9Y060B12MP11	XAF/XAUB30C	0.99	0.89	0.95
TM9Y060B12MP11	XAFC30C	0.99	0.88	0.94
TM9Y080B12MP11	XAF/XAF/XAUB36D	0.98	0.88	0.94
TM9Y080B12MP11	XAF/XAF/XAUC48F	0.99	0.93	0.99
TM9Y080B12MP11	XAF/XAFB36E	0.99	0.90	0.94
TM9Y080B12MP11	XAF/XAFC36D	0.99	0.93	0.99
TM9Y080B12MP11	XAF/XAUB30C	0.98	0.91	0.98
TM9Y080B12MP11	XAFC30C	0.99	0.91	0.99
TM9Y080C16MP11	XAF/XAF/XAUC48F	0.99	0.91	0.94
TM9Y080C16MP11	XAF/XAFC36D	0.99	0.94	0.99
TM9Y080C16MP11	XAF/XAFD48F	0.98	0.91	0.98
TM9Y080C16MP11	XAFC30C	0.98	0.88	0.94
TM9Y100C16MP11	XAF/XAF/XAUC48F	0.99	0.92	0.99
TM9Y100C16MP11	XAF/XAFC36D	0.99	0.92	0.99
TM9Y100C16MP11	XAF/XAFD48F	0.98	0.89	0.98

Table 17: Cool multiplier furnace - 3 ton

Furnace model	Indoor coil model	Total capacity	Sensible capacity	kW
TM9Y100C16MP11	XAFC30C	0.98	0.92	0.98
TMLE040A12MP11	XAF/XAF/XAUB36D	0.99	0.94	0.95
TMLE040A12MP11	XAF/XAFB36E	0.99	0.90	0.94
TMLE040A12MP11	XAF/XAUB30C	0.99	0.93	0.94
TMLE040A12MP11	XAFA30D	1.00	0.96	0.95
TMLE060A12MP11	XAF/XAF/XAUB36D	1.00	0.98	1.00
TMLE060A12MP11	XAF/XAFB36E	1.00	0.97	0.95
TMLE060A12MP11	XAF/XAUB30C	0.99	0.93	0.95
TMLE080B12MP11	XAF/XAF/XAUB36D	0.99	0.93	0.95
TMLE080B12MP11	XAF/XAF/XAUC48F	0.99	0.93	0.95
TMLE080B12MP11	XAF/XAFB36E	1.00	0.98	1.00
TMLE080B12MP11	XAF/XAFC36D	0.99	0.92	0.94
TMLE080B12MP11	XAF/XAUB30C	0.99	0.96	0.99
TMLE080B12MP11	XAFC30C	0.99	0.96	0.95
TMLE080C16MP11	XAF/XAF/XAUC48F	0.99	0.95	0.99
TMLE080C16MP11	XAF/XAFC36D	0.99	0.91	0.94
TMLE080C16MP11	XAF/XAFD48F	0.99	0.94	0.95
TMLE080C16MP11	XAFC30C	0.98	0.88	0.98
TMLE100B12MP11	XAF/XAF/XAUB36D	0.98	0.91	0.94
TMLE100B12MP11	XAF/XAF/XAUC48F	0.98	0.91	0.94
TMLE100B12MP11	XAF/XAFB36E	0.99	0.95	0.95
TMLE100B12MP11	XAF/XAFC36D	0.99	0.91	0.94
TMLE100B12MP11	XAF/XAUB30C	1.00	0.96	0.95
TMLE100B12MP11	XAFC30C	0.99	0.92	0.94
TMLE100C16MP11	XAF/XAF/XAUC48F	0.99	0.90	0.94
TMLE100C16MP11	XAF/XAFC36D	0.99	0.92	0.94
TMLE100C16MP11	XAF/XAFD48F	0.99	0.96	0.95
TMLE100C16MP11	XAFC30C	0.98	0.91	0.94
TMLE100C20MP11	XAF/XAFC36D	0.98	0.93	0.98
TMLE120C16MP11	XAF/XAF/XAUC48F	0.99	0.94	0.95
TMLE120C16MP11	XAF/XAFC36D	0.99	0.93	0.94
TMLE120C16MP11	XAFC30C	0.99	0.94	0.99
TMLV100C16MP12C	XAF/XAF/XAUC48F	0.96	0.91	0.91
TMLV100C16MP12C	XAF/XAFC36D	0.95	0.91	0.97
TMLV100C16MP12C	XAF/XAFD48F	0.97	0.98	0.97
TMLV100C16MP12C	XAFC30C	0.96	0.92	0.92
TP9C060B12MP13C	XAF/XAF/XAUB36D	0.99	0.94	0.95
TP9C060B12MP13C	XAF/XAF/XAUC48F	1.00	0.93	0.95
TP9C060B12MP13C	XAF/XAFB36E	0.99	0.91	0.95

Table 17: Cool multiplier furnace - 3 ton

Furnace model	Indoor coil model	Total capacity	Sensible capacity	kW
TP9C060B12MP13C	XAF/XAFC36D	0.99	0.92	0.95
TP9C060B12MP13C	XAF/XAUB30C	1.00	0.98	1.00
TP9C060B12MP13C	XAFC30C	0.99	0.92	0.95
TP9C080B12MP13C	XAF/XAF/XAUB36D	0.99	0.89	0.94
TP9C080B12MP13C	XAF/XAF/XAUC48F	0.99	0.91	0.99
TP9C080B12MP13C	XAF/XAFB36E	1.00	0.95	0.95
TP9C080B12MP13C	XAF/XAFC36D	0.99	0.96	0.95
TP9C080B12MP13C	XAF/XAUB30C	0.99	0.94	0.99
TP9C080B12MP13C	XAFC30C	0.99	0.91	0.95
TP9C080C16MP13C	XAF/XAF/XAUC48F	0.99	0.93	0.99
TP9C080C16MP13C	XAF/XAFC36D	0.99	0.91	0.94
TP9C080C16MP13C	XAF/XAFD48F	0.99	0.96	0.99
TP9C080C16MP13C	XAFC30C	0.99	0.91	0.94
TP9C100C16MP13C	XAF/XAF/XAUC48F	0.99	0.92	0.95
TP9C100C16MP13C	XAF/XAFC36D	0.99	0.92	0.95
TP9C100C16MP13C	XAF/XAFD48F	0.99	0.96	0.99
TP9C100C16MP13C	XAFC30C	0.99	0.89	0.90
TP9C100C20MP13C	XAF/XAF/XAUC48F	0.99	0.89	0.94
TP9C100C20MP13C	XAF/XAFD48F	0.99	0.93	0.99
TP9C120D20MP13C	XAF/XAFD48F	0.99	0.93	0.99
TPLC080B12MP13C	XAF/XAF/XAUB36D	0.95	0.89	0.95
TPLC080B12MP13C	XAF/XAF/XAUC48F	0.96	0.91	0.92
TPLC080B12MP13C	XAF/XAFB36E	0.97	0.97	0.97
TPLC080B12MP13C	XAF/XAFC36D	0.96	0.90	0.96
TPLC080B12MP13C	XAF/XAUB30C	0.95	0.89	0.95
TPLC080C16MP13C	XAF/XAF/XAUC48F	0.96	0.91	0.91
TPLC080C16MP13C	XAF/XAFC36D	0.95	0.91	0.97
TPLC080C16MP13C	XAF/XAFD48F	0.97	0.98	0.97
TPLC080C16MP13C	XAFC30C	0.96	0.92	0.92
TPLC100C16MP13C	XAF/XAF/XAUC48F	0.96	0.91	0.91
TPLC100C16MP13C	XAF/XAFC36D	0.95	0.91	0.97
TPLC100C16MP13C	XAF/XAFD48F	0.97	0.98	0.97
TPLC100C16MP13C	XAFC30C	0.96	0.92	0.92
YP9C060B12MP13C	XAF/XAF/XAUB36D	0.99	0.94	0.95
YP9C060B12MP13C	XAF/XAF/XAUC48F	1.00	0.93	0.95
YP9C060B12MP13C	XAF/XAFB36E	0.99	0.91	0.95
YP9C060B12MP13C	XAF/XAFC36D	0.99	0.92	0.95
YP9C060B12MP13C	XAF/XAUB30C	1.00	0.98	1.00
YP9C060B12MP13C	XAFC30C	0.99	0.92	0.95

Table 17: Cool multiplier furnace - 3 ton

Furnace model	Indoor coil model	Total capacity	Sensible capacity	kW
YP9C080B12MP13C	XAF/XAF/XAUB36D	0.99	0.89	0.94
YP9C080B12MP13C	XAF/XAF/XAUC48F	0.99	0.91	0.99
YP9C080B12MP13C	XAF/XAFB36E	1.00	0.95	0.95
YP9C080B12MP13C	XAF/XAFC36D	0.99	0.96	0.95
YP9C080B12MP13C	XAF/XAUB30C	0.99	0.94	0.99
YP9C080B12MP13C	XAFC30C	0.99	0.91	0.95
YP9C080C16MP13C	XAF/XAF/XAUC48F	0.99	0.93	0.99
YP9C080C16MP13C	XAF/XAFC36D	0.99	0.91	0.94
YP9C080C16MP13C	XAF/XAFD48F	0.99	0.96	0.99
YP9C080C16MP13C	XAFC30C	0.99	0.91	0.94
YP9C100C16MP13C	XAF/XAF/XAUC48F	0.99	0.92	0.95
YP9C100C16MP13C	XAF/XAFC36D	0.99	0.92	0.95
YP9C100C16MP13C	XAF/XAFD48F	0.99	0.96	0.99
YP9C100C16MP13C	XAFC30C	0.99	0.89	0.90
YP9C100C20MP13C	XAF/XAF/XAUC48F	0.99	0.89	0.94
YP9C100C20MP13C	XAF/XAFD48F	0.99	0.93	0.99
YP9C120D20MP13C	XAF/XAFD48F	0.99	0.93	0.99
YPLC080B12MP13C	XAF/XAF/XAUB36D	0.95	0.89	0.95
YPLC080B12MP13C	XAF/XAF/XAUC48F	0.96	0.91	0.92
YPLC080B12MP13C	XAF/XAFB36E	0.97	0.97	0.97
YPLC080B12MP13C	XAF/XAFC36D	0.96	0.90	0.96
YPLC080B12MP13C	XAF/XAUB30C	0.95	0.89	0.95
YPLC080C16MP13C	XAF/XAF/XAUC48F	0.96	0.91	0.91
YPLC080C16MP13C	XAF/XAFC36D	0.95	0.91	0.97
YPLC080C16MP13C	XAF/XAFD48F	0.97	0.98	0.97
YPLC080C16MP13C	XAFC30C	0.96	0.92	0.92
YPLC100C16MP13C	XAF/XAF/XAUC48F	0.96	0.91	0.91
YPLC100C16MP13C	XAF/XAFC36D	0.95	0.91	0.97
YPLC100C16MP13C	XAF/XAFD48F	0.97	0.98	0.97
YPLC100C16MP13C	XAFC30C	0.96	0.92	0.92

Performance data - 4 ton

Cooling performance data - 4 ton

Table 18: Cooling performance data - 4 ton

Air temperature entering outdoor unit (°F)	ID CFM	1400					1600					1800					
	ID DB (°F)	80	80	75	80	80	80	80	75	80	80	80	80	80	75	80	80
	ID WB (°F)	57	62	62	67	72	57	62	62	67	72	57	62	62	67	72	
55	TC	47.3	51.4	51.2	54.9	57.7	48.8	52.2	52.0	55.6	57.9	50.5	53.1	52.9	56.4	58.3	
55	SC	47.3	42.8	37.0	36.4	29.0	48.8	45.0	38.4	37.6	29.4	50.5	47.4	40.0	38.9	29.9	
55	kW	3.24	3.30	3.31	3.35	3.37	3.37	3.43	3.42	3.47	3.48	3.47	3.52	3.50	3.56	3.56	
65	TC	46.5	50.0	49.9	53.9	57.6	47.9	50.8	50.7	54.6	58.0	49.4	51.7	51.5	55.5	58.6	
65	SC	46.5	42.6	36.6	36.3	29.1	47.9	44.8	38.2	37.7	29.7	49.4	47.2	39.8	39.2	30.5	
65	kW	3.55	3.63	3.63	3.69	3.75	3.70	3.76	3.75	3.82	3.87	3.80	3.85	3.84	3.91	3.95	
75	TC	45.6	48.6	48.6	52.8	57.4	47.0	49.4	49.3	53.7	58.2	48.4	50.3	50.2	54.6	59.0	
75	SC	45.6	42.5	36.3	36.2	29.1	47.0	44.6	37.9	37.7	30.1	48.4	46.9	39.6	39.5	31.1	
75	kW	3.87	3.95	3.95	4.04	4.14	4.02	4.08	4.08	4.17	4.26	4.13	4.18	4.18	4.26	4.35	
85	TC	43.6	46.6	46.1	50.7	55.3	45.1	47.3	47.0	51.5	56.0	46.8	48.2	48.1	52.4	56.8	
85	SC	43.6	41.3	34.9	35.1	28.3	45.1	43.5	36.7	36.8	29.2	46.8	45.9	38.7	38.6	30.3	
85	kW	4.25	4.33	4.33	4.44	4.56	4.41	4.47	4.47	4.57	4.69	4.52	4.57	4.57	4.67	4.78	
95	TC	41.7	44.6	43.6	48.6	53.1	43.3	45.3	44.7	49.3	53.8	45.1	46.2	46.0	50.2	54.6	
95	SC	41.7	40.1	33.4	34.1	27.4	43.3	42.4	35.5	35.9	28.4	45.1	44.9	37.7	37.8	29.5	
95	kW	4.64	4.70	4.71	4.83	4.97	4.80	4.85	4.85	4.98	5.11	4.92	4.96	4.96	5.08	5.21	
105	TC	36.2	38.1	36.6	40.6	44.1	37.3	38.7	37.5	41.1	44.6	38.5	39.4	38.5	41.8	45.2	
105	SC	36.2	35.6	30.0	30.5	24.1	37.3	37.2	31.7	32.1	25.0	38.5	39.0	33.4	33.8	26.0	
105	kW	4.26	4.30	4.24	4.34	4.40	4.39	4.44	4.38	4.47	4.53	4.48	4.54	4.49	4.56	4.62	
115	TC	30.8	31.8	29.9	32.8	35.4	31.4	32.3	30.5	33.1	35.6	32.1	32.9	31.2	33.6	36.0	
115	SC	30.8	31.2	26.7	26.9	20.8	31.4	32.2	27.9	28.3	21.7	32.1	32.9	29.3	29.8	22.6	
115	kW	3.90	3.92	3.78	3.86	3.85	4.00	4.04	3.93	3.98	3.97	4.06	4.14	4.04	4.05	4.05	
125	TC	25.5	25.5	23.1	25.0	26.7	25.5	25.9	23.4	25.1	26.7	25.7	26.3	23.9	25.4	26.8	
125	SC	25.5	25.5	23.1	23.4	17.6	25.5	25.9	23.4	24.6	18.4	25.7	26.3	23.9	25.4	19.2	
125	kW	3.53	3.53	3.32	3.38	3.29	3.60	3.65	3.47	3.48	3.41	3.64	3.73	3.58	3.54	3.48	

Cool multiplier airhandler - 4 ton

Table 19: Cool multiplier air handler - 4 ton

Air handler model	Indoor coil model	Total capacity	Sensible capacity	kW
JHETC48GBCS2N1	—	1.00	1.00	1.00
JHETC60HBCS2N1	—	1.00	0.96	1.01
JHETD48GBCS2N1	—	0.99	0.93	1.01
JHETD60HBCS2N1	—	1.00	0.96	1.01
JHVTC42FBCC2N1	—	0.99	0.93	1.01
JHVTC48GBCC2N1	—	0.99	0.95	1.01
JHVTC60HBCC2N1	—	1.00	0.95	1.02
JHVTD48GBCC2N1	—	0.99	0.94	1.01
JHVTD60HBCC2N1	—	1.00	0.94	1.00

Cool multiplier furnace - 4 ton

Table 20: Cool multiplier furnace - 4 ton

Furnace model	Indoor coil model	Total capacity	Sensible capacity	kW
TL8E100C20UH11	XAF/XAF/XAUD60H	1.00	0.94	1.02
TL8E100C20UH11	XAF/XAFC60H	1.00	0.94	1.02
TL8E100C20UH11	XAH/XAHC60H	1.00	0.94	1.02
TL8E100C20UH11	XAH/XAHD60H	1.00	0.94	1.02
TL9E100C20UH11	XAF/XAF/XAUD60H	1.00	0.94	1.02
TL9E100C20UH11	XAF/XAFC60H	1.00	0.94	1.02
TL9E100C20UH11	XAH/XAHC60H	1.00	0.94	1.02
TL9E100C20UH11	XAH/XAHD60H	1.00	0.94	1.02
TM8E120C16MP11	XAF/XAFC60H	1.00	0.94	1.02
TM8E120C16MP11	XAH/XAHC60H	1.00	0.94	1.02
TM8V080C16MP12C	XAF/XAF/XAUD60H	1.00	0.92	1.02
TM8V080C16MP12C	XAF/XAFC60H	1.00	0.93	1.02
TM8V080C16MP12C	XAH/XAHC60H	1.00	0.93	1.02
TM8V080C16MP12C	XAH/XAHD60H	1.00	0.92	1.02
TM8V100C16MP12C	XAF/XAFC60H	1.00	0.93	1.02
TM8V100C16MP12C	XAH/XAHC60H	1.00	0.93	1.02
TM8V100C20MP12C	XAF/XAFC60H	1.00	0.93	1.02
TM8V100C20MP12C	XAH/XAHC60H	1.00	0.93	1.02
TM8V120C20MP12C	XAF/XAFC60H	1.00	0.93	1.02
TM8V120C20MP12C	XAH/XAHC60H	1.00	0.93	1.02
TM8Y080C16MP11	XAF/XAF/XAUD60H	1.00	0.93	1.02
TM8Y080C16MP11	XAF/XAFC60H	1.00	0.93	1.02
TM8Y080C16MP11	XAH/XAHC60H	1.00	0.93	1.02
TM8Y080C16MP11	XAH/XAHD60H	1.00	0.93	1.02
TM8Y100C16MP11	XAF/XAF/XAUD60H	1.00	0.93	1.02
TM8Y100C16MP11	XAF/XAFC60H	1.00	0.93	1.02
TM8Y100C16MP11	XAH/XAHC60H	1.00	0.93	1.02
TM8Y100C16MP11	XAH/XAHD60H	1.00	0.93	1.02
TM9V100C16MP12C	XAF/XAFC60H	1.00	0.94	1.02
TM9V100C16MP12C	XAH/XAHC60H	1.00	0.94	1.02
TM9V120D20MP12C	XAF/XAF/XAUD60H	1.00	0.93	1.02
TM9V120D20MP12C	XAH/XAHD60H	1.00	0.93	1.02
TM9Y120D20MP11	XAF/XAF/XAUD60H	1.00	0.93	1.02
TM9Y120D20MP11	XAH/XAHD60H	1.00	0.93	1.02
TMLE120C16MP11	XAF/XAFC60H	1.00	0.94	1.02
TMLE120C16MP11	XAH/XAHC60H	1.00	0.94	1.02
TMLV100C16MP12C	XAF/XAFC60H	1.00	0.93	1.02

Table 20: Cool multiplier furnace - 4 ton

Furnace model	Indoor coil model	Total capacity	Sensible capacity	kW
TMLV100C16MP12C	XAH/XAHC60H	1.00	0.93	1.02
TMLV120C20MP12C	XAF/XAFC60H	1.00	0.93	1.02
TMLV120C20MP12C	XAH/XAHC60H	1.00	0.93	1.02
TP9C100C16MP13C	XAF/XAFC60H	1.00	0.94	1.02
TP9C100C16MP13C	XAH/XAHC60H	1.00	0.94	1.02
TP9C120D20MP13C	XAF/XAF/XAUD60H	1.00	0.93	1.02
TP9C120D20MP13C	XAH/XAHD60H	1.00	0.93	1.02
TPLC080C16MP13C	XAF/XAFC60H	1.00	0.93	1.02
TPLC080C16MP13C	XAH/XAHC60H	1.00	0.93	1.02
TPLC100C16MP13C	XAF/XAFC60H	1.00	0.93	1.02
TPLC100C16MP13C	XAH/XAHC60H	1.00	0.93	1.02
TPLC100C20MP13C	XAF/XAFC60H	1.00	0.93	1.02
TPLC100C20MP13C	XAH/XAHC60H	1.00	0.93	1.02
TPLC120C20MP13C	XAF/XAFC60H	1.00	0.93	1.02
TPLC120C20MP13C	XAH/XAHC60H	1.00	0.93	1.02
YP9C100C16MP13C	XAF/XAFC60H	1.00	0.94	1.02
YP9C100C16MP13C	XAH/XAHC60H	1.00	0.94	1.02
YP9C120D20MP13C	XAF/XAF/XAUD60H	1.00	0.93	1.02
YP9C120D20MP13C	XAH/XAHD60H	1.00	0.93	1.02
YPLC080C16MP13C	XAF/XAFC60H	1.00	0.93	1.02
YPLC080C16MP13C	XAH/XAHC60H	1.00	0.93	1.02
YPLC100C16MP13C	XAF/XAFC60H	1.00	0.93	1.02
YPLC100C16MP13C	XAH/XAHC60H	1.00	0.93	1.02
YPLC100C20MP13C	XAF/XAFC60H	1.00	0.93	1.02
YPLC100C20MP13C	XAH/XAHC60H	1.00	0.93	1.02
YPLC120C20MP13C	XAF/XAFC60H	1.00	0.93	1.02
YPLC120C20MP13C	XAH/XAHC60H	1.00	0.93	1.02

Performance data - 5 ton

Cooling performance data - 5 ton

Table 21: Cooling performance data - 5 ton

Air temperature entering outdoor unit (°F)	ID CFM	1550					1800					2050				
	ID DB (°F)	80	80	75	80	80	80	80	75	80	80	80	80	75	80	80
	ID WB (°F)	57	62	62	67	72	57	62	62	67	72	57	62	62	67	72
55	TC	54.9	58.4	58.3	62.7	65.0	56.2	59.3	59.1	62.9	65.0	57.5	60.1	59.9	63.1	64.9
55	SC	54.9	51.8	42.7	43.8	31.7	56.2	54.8	45.5	46.3	32.9	57.5	57.7	48.3	48.7	34.0
55	kW	3.40	3.45	3.47	3.50	3.53	3.65	3.70	3.71	3.74	3.77	3.92	3.97	3.97	4.00	4.03
65	TC	54.2	56.8	57.0	61.9	65.6	55.5	57.6	57.7	62.3	65.8	56.8	58.4	58.3	62.6	65.9
65	SC	54.0	50.5	41.8	42.0	31.8	55.5	53.7	44.5	44.6	33.2	56.8	56.8	47.2	47.2	34.5
65	kW	3.74	3.80	3.81	3.87	3.93	4.01	4.05	4.06	4.12	4.18	4.28	4.32	4.33	4.39	4.45
75	TC	53.5	55.2	55.6	61.2	66.2	54.7	55.9	56.2	61.7	66.6	56.0	56.6	56.8	62.2	67.0
75	SC	50.9	49.2	40.9	40.2	32.0	53.7	52.5	43.5	43.0	33.5	56.0	55.8	46.1	45.7	34.9
75	kW	4.08	4.15	4.16	4.24	4.34	4.36	4.40	4.42	4.50	4.59	4.65	4.68	4.69	4.77	4.86
85	TC	51.0	52.5	52.5	58.4	63.5	52.4	53.2	53.3	58.8	63.8	53.8	53.9	54.0	59.2	64.0
85	SC	50.4	48.7	40.0	39.6	31.7	52.4	52.1	42.8	42.5	33.4	53.8	53.9	45.5	45.4	35.0
85	kW	4.49	4.55	4.56	4.66	4.77	4.78	4.81	4.82	4.92	5.03	5.08	5.09	5.10	5.20	5.31
95	TC	48.5	49.7	49.4	55.7	60.7	50.1	50.5	50.3	56.0	60.9	51.6	51.2	51.2	56.1	61.1
95	SC	48.5	48.3	39.0	39.0	31.3	50.1	50.5	42.0	42.0	33.3	51.6	51.2	44.9	45.0	35.2
95	kW	4.91	4.95	4.97	5.07	5.21	5.20	5.22	5.23	5.34	5.47	5.51	5.51	5.50	5.63	5.75
105	TC	42.6	43.2	42.4	47.5	51.5	43.6	43.8	43.0	47.6	51.5	44.6	44.3	43.5	47.7	51.4
105	SC	42.6	42.6	35.7	36.0	28.0	43.6	43.8	38.0	38.7	29.7	44.6	44.3	40.2	41.4	31.4
105	kW	4.63	4.62	4.63	4.72	4.76	4.89	4.89	4.88	4.97	5.01	5.17	5.17	5.15	5.25	5.28
115	TC	36.9	36.9	35.5	39.5	42.5	37.4	37.3	35.8	39.5	42.3	37.8	37.6	36.1	39.4	42.1
115	SC	36.9	36.9	32.5	33.0	24.9	37.4	37.3	34.1	35.5	26.3	37.8	37.6	35.6	38.0	27.7
115	kW	4.36	4.31	4.30	4.37	4.32	4.59	4.57	4.55	4.62	4.56	4.84	4.84	4.81	4.88	4.83
125	TC	31.1	30.7	28.7	31.5	33.4	31.1	30.8	28.7	31.4	33.1	31.1	31.0	28.6	31.2	32.7
125	SC	31.1	30.7	28.7	30.1	21.7	31.1	30.8	28.7	31.4	22.9	31.1	31.0	28.6	31.2	24.1
125	kW	4.10	3.99	3.97	4.02	3.88	4.29	4.24	4.21	4.26	4.12	4.51	4.51	4.47	4.52	4.37

Cool multiplier airhandler - 5 ton

Table 22: Cool multiplier air handler - 5 ton

Air handler model	Indoor coil model	Total capacity	Sensible capacity	kW
JHETC60HBCS2N1	—	0.95	0.95	0.97
JHETC60HBCS2N1	—	0.95	0.95	0.97
JHETC60HBCS2N1	—	0.95	0.95	0.97
JHETC60HBCS2N1	—	0.95	0.95	0.97
JHETD60HBCS2N1	—	0.96	0.99	0.96
JHETD60HBCS2N1	—	0.96	0.99	0.96
JHETD60HBCS2N1	—	0.96	0.99	0.96
JHETD60HBCS2N1	—	0.96	0.99	0.96
JHETD60JBCS2N1	—	1.00	1.00	1.00
JHETD60JBCS2N1	—	1.00	1.00	1.00
JHETD60JBCS2N1	—	1.00	1.00	1.00
JHETD60JBCS2N1	—	1.00	1.00	1.00
JHVTC60HBCC2N1	—	0.96	0.99	0.98
JHVTC60HBCC2N1	—	0.96	0.99	0.98
JHVTC60HBCC2N1	—	0.96	0.99	0.98

Table 22: Cool multiplier air handler - 5 ton

Air handler model	Indoor coil model	Total capacity	Sensible capacity	kW
JHVTC60HBCC2N1	—	0.96	0.99	0.98
JHVTD60HBCC2N1	—	0.96	0.96	0.96
JHVTD60HBCC2N1	—	0.96	0.96	0.96
JHVTD60HBCC2N1	—	0.96	0.96	0.96
JHVTD60HBCC2N1	—	0.96	0.96	0.96
JHVTD60JBCC2N1	—	0.98	1.04	0.98
JHVTD60JBCC2N1	—	0.98	1.04	0.98
JHVTD60JBCC2N1	—	0.98	1.04	0.98
JHVTD60JBCC2N1	—	0.98	1.04	0.98

Cool multiplier furnace - 5 ton

Table 23: Cool multiplier furnace - 5 ton

Furnace model	Indoor coil model	Total capacity	Sensible capacity	kW
TL8E100C20UH11	XAF/XAFC60H	0.94	0.93	0.94
TL8E100C20UH11	XAF/XAFC60H	0.94	0.93	0.94
TL8E100C20UH11	XAF/XAFC60H	0.94	0.93	0.94
TL8E100C20UH11	XAF/XAFC60H	0.94	0.93	0.94
TL8E100C20UH11	XAF/XAFD60J	0.95	0.96	0.95
TL8E100C20UH11	XAF/XAFD60J	0.95	0.96	0.95
TL8E100C20UH11	XAF/XAFD60J	0.95	0.96	0.95
TL8E100C20UH11	XAF/XAFD60J	0.95	0.96	0.95
TL8E100C20UH11	XAH/XAHC60H	0.94	0.93	0.94
TL8E100C20UH11	XAH/XAHC60H	0.94	0.93	0.94
TL8E100C20UH11	XAH/XAHC60H	0.94	0.93	0.94
TL8E100C20UH11	XAH/XAHC60H	0.94	0.93	0.94
TL9E080C16UH11	XAH/XAHC60H	0.93	0.93	0.95
TL9E080C16UH11	XAH/XAHC60H	0.93	0.93	0.95
TL9E080C16UH11	XAH/XAHC60H	0.93	0.93	0.95
TL9E080C16UH11	XAH/XAHC60H	0.93	0.93	0.95
TL9E100C20UH11	XAH/XAHC60H	0.94	0.94	0.95
TL9E100C20UH11	XAH/XAHC60H	0.94	0.94	0.95
TL9E100C20UH11	XAH/XAHC60H	0.94	0.94	0.95
TL9E100C20UH11	XAH/XAHC60H	0.94	0.94	0.95
TM8E080C20MP11	XAF/XAF/XAUD60H	0.95	0.96	0.97
TM8E080C20MP11	XAF/XAF/XAUD60H	0.95	0.96	0.97
TM8E080C20MP11	XAF/XAF/XAUD60H	0.95	0.96	0.97
TM8E080C20MP11	XAF/XAF/XAUD60H	0.95	0.96	0.97
TM8E080C20MP11	XAF/XAFC60H	0.95	0.96	0.97

Table 23: Cool multiplier furnace - 5 ton

Furnace model	Indoor coil model	Total capacity	Sensible capacity	kW
TM8E080C20MP11	XAF/XAFC60H	0.95	0.96	0.97
TM8E080C20MP11	XAF/XAFC60H	0.95	0.96	0.97
TM8E080C20MP11	XAF/XAFC60H	0.95	0.96	0.97
TM8E080C20MP11	XAF/XAFD60J	0.96	1.00	0.97
TM8E080C20MP11	XAF/XAFD60J	0.96	1.00	0.97
TM8E080C20MP11	XAF/XAFD60J	0.96	1.00	0.97
TM8E080C20MP11	XAF/XAFD60J	0.96	1.00	0.97
TM8E080C20MP11	XAH/XAHC60H	0.95	0.96	0.97
TM8E080C20MP11	XAH/XAHC60H	0.95	0.96	0.97
TM8E080C20MP11	XAH/XAHC60H	0.95	0.96	0.97
TM8E080C20MP11	XAH/XAHC60H	0.95	0.96	0.97
TM8E080C20MP11	XAH/XAHD60H	0.95	0.98	0.97
TM8E080C20MP11	XAH/XAHD60H	0.95	0.98	0.97
TM8E080C20MP11	XAH/XAHD60H	0.95	0.98	0.97
TM8E080C20MP11	XAH/XAHD60H	0.95	0.98	0.97
TM8E080C20MP11	XAH/XAHD60J	0.96	1.02	0.98
TM8E080C20MP11	XAH/XAHD60J	0.96	1.02	0.98
TM8E080C20MP11	XAH/XAHD60J	0.96	1.02	0.98
TM8E080C20MP11	XAH/XAHD60J	0.96	1.02	0.98
TM8E100C20MP11	XAF/XAF/XAUD60H	0.96	0.98	0.97
TM8E100C20MP11	XAF/XAF/XAUD60H	0.96	0.98	0.97
TM8E100C20MP11	XAF/XAF/XAUD60H	0.96	0.98	0.97
TM8E100C20MP11	XAF/XAF/XAUD60H	0.96	0.98	0.97
TM8E100C20MP11	XAF/XAFC60H	0.96	0.98	0.97
TM8E100C20MP11	XAF/XAFC60H	0.96	0.98	0.97
TM8E100C20MP11	XAF/XAFC60H	0.96	0.98	0.97
TM8E100C20MP11	XAF/XAFC60H	0.96	0.98	0.97
TM8E100C20MP11	XAF/XAFD60J	0.96	1.02	0.98
TM8E100C20MP11	XAF/XAFD60J	0.96	1.02	0.98
TM8E100C20MP11	XAF/XAFD60J	0.96	1.02	0.98
TM8E100C20MP11	XAF/XAFD60J	0.96	1.02	0.98
TM8E100C20MP11	XAH/XAHC60H	0.95	0.96	0.97
TM8E100C20MP11	XAH/XAHC60H	0.95	0.96	0.97
TM8E100C20MP11	XAH/XAHC60H	0.95	0.96	0.97
TM8E100C20MP11	XAH/XAHC60H	0.95	0.96	0.97
TM8E100C20MP11	XAH/XAHD60H	0.96	0.98	0.97
TM8E100C20MP11	XAH/XAHD60H	0.96	0.98	0.97
TM8E100C20MP11	XAH/XAHD60H	0.96	0.98	0.97
TM8E100C20MP11	XAH/XAHD60H	0.96	0.98	0.97

Table 23: Cool multiplier furnace - 5 ton

Furnace model	Indoor coil model	Total capacity	Sensible capacity	kW
TM8E100C20MP11	XAH/XAHD60J	0.96	1.01	0.98
TM8E100C20MP11	XAH/XAHD60J	0.96	1.01	0.98
TM8E100C20MP11	XAH/XAHD60J	0.96	1.01	0.98
TM8E100C20MP11	XAH/XAHD60J	0.96	1.01	0.98
TM8E120C16MP11	XAH/XAHC60H	0.94	0.94	0.96
TM8E120C16MP11	XAH/XAHC60H	0.94	0.94	0.96
TM8E120C16MP11	XAH/XAHC60H	0.94	0.94	0.96
TM8E120C16MP11	XAH/XAHC60H	0.94	0.94	0.96
TM8E120C20MP11	XAF/XAF/XAUD60H	0.95	0.96	0.97
TM8E120C20MP11	XAF/XAF/XAUD60H	0.95	0.96	0.97
TM8E120C20MP11	XAF/XAF/XAUD60H	0.95	0.96	0.97
TM8E120C20MP11	XAF/XAF/XAUD60H	0.95	0.96	0.97
TM8E120C20MP11	XAF/XAFC60H	0.95	0.96	0.97
TM8E120C20MP11	XAF/XAFC60H	0.95	0.96	0.97
TM8E120C20MP11	XAF/XAFC60H	0.95	0.96	0.97
TM8E120C20MP11	XAF/XAFC60H	0.95	0.96	0.97
TM8E120C20MP11	XAF/XAFD60J	0.96	1.01	0.98
TM8E120C20MP11	XAF/XAFD60J	0.96	1.01	0.98
TM8E120C20MP11	XAF/XAFD60J	0.96	1.01	0.98
TM8E120C20MP11	XAF/XAFD60J	0.96	1.01	0.98
TM8E120C20MP11	XAH/XAHC60H	0.95	0.96	0.97
TM8E120C20MP11	XAH/XAHC60H	0.95	0.96	0.97
TM8E120C20MP11	XAH/XAHC60H	0.95	0.96	0.97
TM8E120C20MP11	XAH/XAHC60H	0.95	0.96	0.97
TM8E120C20MP11	XAH/XAHD60H	0.95	0.96	0.97
TM8E120C20MP11	XAH/XAHD60H	0.95	0.96	0.97
TM8E120C20MP11	XAH/XAHD60H	0.95	0.96	0.97
TM8E120C20MP11	XAH/XAHD60H	0.95	0.96	0.97
TM8E120C20MP11	XAH/XAHD60J	0.96	1.00	0.97
TM8E120C20MP11	XAH/XAHD60J	0.96	1.00	0.97
TM8E120C20MP11	XAH/XAHD60J	0.96	1.00	0.97
TM8E120C20MP11	XAH/XAHD60J	0.96	1.00	0.97
TM8E130D20MP11	XAF/XAF/XAUD60H	0.95	0.96	0.97
TM8E130D20MP11	XAF/XAF/XAUD60H	0.95	0.96	0.97
TM8E130D20MP11	XAF/XAF/XAUD60H	0.95	0.96	0.97
TM8E130D20MP11	XAF/XAF/XAUD60H	0.95	0.96	0.97
TM8E130D20MP11	XAF/XAFD60J	0.96	1.01	0.98
TM8E130D20MP11	XAF/XAFD60J	0.96	1.01	0.98
TM8E130D20MP11	XAF/XAFD60J	0.96	1.01	0.98

Table 23: Cool multiplier furnace - 5 ton

Furnace model	Indoor coil model	Total capacity	Sensible capacity	kW
TM8E130D20MP11	XAF/XAFD60J	0.96	1.01	0.98
TM8E130D20MP11	XAH/XAHD60H	0.95	0.96	0.97
TM8E130D20MP11	XAH/XAHD60H	0.95	0.96	0.97
TM8E130D20MP11	XAH/XAHD60H	0.95	0.96	0.97
TM8E130D20MP11	XAH/XAHD60H	0.95	0.96	0.97
TM8E130D20MP11	XAH/XAHD60J	0.96	1.01	0.97
TM8E130D20MP11	XAH/XAHD60J	0.96	1.01	0.97
TM8E130D20MP11	XAH/XAHD60J	0.96	1.01	0.97
TM8E130D20MP11	XAH/XAHD60J	0.96	1.01	0.97
TM8V100C20MP12C	XAF/XAF/XAUD60H	0.96	0.99	0.97
TM8V100C20MP12C	XAF/XAF/XAUD60H	0.96	0.99	0.97
TM8V100C20MP12C	XAF/XAF/XAUD60H	0.96	0.99	0.97
TM8V100C20MP12C	XAF/XAF/XAUD60H	0.96	0.99	0.97
TM8V100C20MP12C	XAF/XAFC60H	0.94	0.95	0.96
TM8V100C20MP12C	XAF/XAFC60H	0.94	0.95	0.96
TM8V100C20MP12C	XAF/XAFC60H	0.94	0.95	0.96
TM8V100C20MP12C	XAF/XAFC60H	0.94	0.95	0.96
TM8V100C20MP12C	XAF/XAFD60J	0.96	0.99	0.97
TM8V100C20MP12C	XAF/XAFD60J	0.96	0.99	0.97
TM8V100C20MP12C	XAF/XAFD60J	0.96	0.99	0.97
TM8V100C20MP12C	XAF/XAFD60J	0.96	0.99	0.97
TM8V100C20MP12C	XAH/XAHC60H	0.95	0.96	0.97
TM8V100C20MP12C	XAH/XAHC60H	0.95	0.96	0.97
TM8V100C20MP12C	XAH/XAHC60H	0.95	0.96	0.97
TM8V100C20MP12C	XAH/XAHC60H	0.95	0.96	0.97
TM8V100C20MP12C	XAH/XAHD60H	0.96	0.99	0.97
TM8V100C20MP12C	XAH/XAHD60H	0.96	0.99	0.97
TM8V100C20MP12C	XAH/XAHD60H	0.96	0.99	0.97
TM8V100C20MP12C	XAH/XAHD60H	0.96	0.99	0.97
TM8V100C20MP12C	XAH/XAHD60J	0.96	1.04	0.98
TM8V100C20MP12C	XAH/XAHD60J	0.96	1.04	0.98
TM8V100C20MP12C	XAH/XAHD60J	0.96	1.04	0.98
TM8V100C20MP12C	XAH/XAHD60J	0.96	1.04	0.98
TM8V120C20MP12C	XAH/XAHC60H	0.95	0.96	0.97
TM8V120C20MP12C	XAH/XAHC60H	0.95	0.96	0.97
TM8V120C20MP12C	XAH/XAHC60H	0.95	0.96	0.97
TM8V120C20MP12C	XAH/XAHC60H	0.95	0.96	0.97
TM8Y100C20MP11	XAF/XAF/XAUD60H	0.96	0.99	0.97
TM8Y100C20MP11	XAF/XAF/XAUD60H	0.96	0.99	0.97

Table 23: Cool multiplier furnace - 5 ton

Furnace model	Indoor coil model	Total capacity	Sensible capacity	kW
TM8Y100C20MP11	XAF/XAF/XAUD60H	0.96	0.99	0.97
TM8Y100C20MP11	XAF/XAF/XAUD60H	0.96	0.99	0.97
TM8Y100C20MP11	XAF/XAFC60H	0.96	0.99	0.97
TM8Y100C20MP11	XAF/XAFC60H	0.96	0.99	0.97
TM8Y100C20MP11	XAF/XAFC60H	0.96	0.99	0.97
TM8Y100C20MP11	XAF/XAFC60H	0.96	0.99	0.97
TM8Y100C20MP11	XAF/XAFD60J	0.96	1.02	0.98
TM8Y100C20MP11	XAF/XAFD60J	0.96	1.02	0.98
TM8Y100C20MP11	XAF/XAFD60J	0.96	1.02	0.98
TM8Y100C20MP11	XAF/XAFD60J	0.96	1.02	0.98
TM8Y100C20MP11	XAH/XAHC60H	0.96	0.99	0.97
TM8Y100C20MP11	XAH/XAHC60H	0.96	0.99	0.97
TM8Y100C20MP11	XAH/XAHC60H	0.96	0.99	0.97
TM8Y100C20MP11	XAH/XAHC60H	0.96	0.99	0.97
TM8Y100C20MP11	XAH/XAHD60H	0.96	0.99	0.97
TM8Y100C20MP11	XAH/XAHD60H	0.96	0.99	0.97
TM8Y100C20MP11	XAH/XAHD60H	0.96	0.99	0.97
TM8Y100C20MP11	XAH/XAHD60H	0.96	0.99	0.97
TM8Y100C20MP11	XAH/XAHD60J	0.96	1.02	0.98
TM8Y100C20MP11	XAH/XAHD60J	0.96	1.02	0.98
TM8Y100C20MP11	XAH/XAHD60J	0.96	1.02	0.98
TM8Y100C20MP11	XAH/XAHD60J	0.96	1.02	0.98
TM8Y120C20MP11	XAF/XAF/XAUD60H	0.96	0.99	0.97
TM8Y120C20MP11	XAF/XAF/XAUD60H	0.96	0.99	0.97
TM8Y120C20MP11	XAF/XAF/XAUD60H	0.96	0.99	0.97
TM8Y120C20MP11	XAF/XAF/XAUD60H	0.96	0.99	0.97
TM8Y120C20MP11	XAF/XAFC60H	0.96	0.99	0.97
TM8Y120C20MP11	XAF/XAFC60H	0.96	0.99	0.97
TM8Y120C20MP11	XAF/XAFC60H	0.96	0.99	0.97
TM8Y120C20MP11	XAF/XAFC60H	0.96	0.99	0.97
TM8Y120C20MP11	XAF/XAFD60J	0.96	1.02	0.98
TM8Y120C20MP11	XAF/XAFD60J	0.96	1.02	0.98
TM8Y120C20MP11	XAF/XAFD60J	0.96	1.02	0.98
TM8Y120C20MP11	XAF/XAFD60J	0.96	1.02	0.98
TM8Y120C20MP11	XAH/XAHC60H	0.96	0.99	0.97
TM8Y120C20MP11	XAH/XAHC60H	0.96	0.99	0.97
TM8Y120C20MP11	XAH/XAHC60H	0.96	0.99	0.97
TM8Y120C20MP11	XAH/XAHC60H	0.96	0.99	0.97
TM8Y120C20MP11	XAH/XAHD60H	0.96	0.99	0.97

Table 23: Cool multiplier furnace - 5 ton

Furnace model	Indoor coil model	Total capacity	Sensible capacity	kW
TM8Y120C20MP11	XAH/XAHD60H	0.96	0.99	0.97
TM8Y120C20MP11	XAH/XAHD60H	0.96	0.99	0.97
TM8Y120C20MP11	XAH/XAHD60H	0.96	0.99	0.97
TM8Y120C20MP11	XAH/XAHD60J	0.96	1.02	0.98
TM8Y120C20MP11	XAH/XAHD60J	0.96	1.02	0.98
TM8Y120C20MP11	XAH/XAHD60J	0.96	1.02	0.98
TM8Y120C20MP11	XAH/XAHD60J	0.96	1.02	0.98
TM9E080C20MP12	XAF/XAF/XAUD60H	0.96	0.99	0.97
TM9E080C20MP12	XAF/XAF/XAUD60H	0.96	0.99	0.97
TM9E080C20MP12	XAF/XAF/XAUD60H	0.96	0.99	0.97
TM9E080C20MP12	XAF/XAF/XAUD60H	0.96	0.99	0.97
TM9E080C20MP12	XAF/XAF/XAUD60H	0.96	0.99	0.97
TM9E080C20MP12	XAF/XAFC60H	0.96	0.99	0.97
TM9E080C20MP12	XAF/XAFC60H	0.96	0.99	0.97
TM9E080C20MP12	XAF/XAFC60H	0.96	0.99	0.97
TM9E080C20MP12	XAF/XAFC60H	0.96	0.99	0.97
TM9E080C20MP12	XAF/XAFD60J	0.97	1.04	0.99
TM9E080C20MP12	XAF/XAFD60J	0.97	1.04	0.99
TM9E080C20MP12	XAF/XAFD60J	0.97	1.04	0.99
TM9E080C20MP12	XAF/XAFD60J	0.97	1.04	0.99
TM9E080C20MP12	XAH/XAHC60H	0.96	0.98	0.97
TM9E080C20MP12	XAH/XAHC60H	0.96	0.98	0.97
TM9E080C20MP12	XAH/XAHC60H	0.96	0.98	0.97
TM9E080C20MP12	XAH/XAHC60H	0.96	0.98	0.97
TM9E080C20MP12	XAH/XAHC60H	0.96	0.98	0.97
TM9E080C20MP12	XAH/XAHD60H	0.96	0.99	0.97
TM9E080C20MP12	XAH/XAHD60H	0.96	0.99	0.97
TM9E080C20MP12	XAH/XAHD60H	0.96	0.99	0.97
TM9E080C20MP12	XAH/XAHD60H	0.96	0.99	0.97
TM9E080C20MP12	XAH/XAHD60J	0.97	1.02	0.97
TM9E080C20MP12	XAH/XAHD60J	0.97	1.02	0.97
TM9E080C20MP12	XAH/XAHD60J	0.97	1.02	0.97
TM9E080C20MP12	XAH/XAHD60J	0.97	1.02	0.97
TM9E100C16MP12	XAF/XAF/XAUD60H	0.93	0.93	0.95
TM9E100C16MP12	XAF/XAF/XAUD60H	0.93	0.93	0.95
TM9E100C16MP12	XAF/XAF/XAUD60H	0.93	0.93	0.95
TM9E100C16MP12	XAF/XAF/XAUD60H	0.93	0.93	0.95
TM9E100C16MP12	XAF/XAF/XAUD60H	0.93	0.93	0.95
TM9E100C16MP12	XAF/XAFC60H	0.93	0.93	0.95
TM9E100C16MP12	XAF/XAFC60H	0.93	0.93	0.95
TM9E100C16MP12	XAF/XAFC60H	0.93	0.93	0.95
TM9E100C16MP12	XAF/XAFC60H	0.93	0.93	0.95

Table 23: Cool multiplier furnace - 5 ton

Furnace model	Indoor coil model	Total capacity	Sensible capacity	kW
TM9E100C16MP12	XAF/XAFD60J	0.94	0.96	0.96
TM9E100C16MP12	XAF/XAFD60J	0.94	0.96	0.96
TM9E100C16MP12	XAF/XAFD60J	0.94	0.96	0.96
TM9E100C16MP12	XAF/XAFD60J	0.94	0.96	0.96
TM9E100C16MP12	XAH/XAHC60H	0.93	0.93	0.95
TM9E100C16MP12	XAH/XAHC60H	0.93	0.93	0.95
TM9E100C16MP12	XAH/XAHC60H	0.93	0.93	0.95
TM9E100C16MP12	XAH/XAHC60H	0.93	0.93	0.95
TM9E100C16MP12	XAH/XAHD60H	0.93	0.93	0.95
TM9E100C16MP12	XAH/XAHD60H	0.93	0.93	0.95
TM9E100C16MP12	XAH/XAHD60H	0.93	0.93	0.95
TM9E100C16MP12	XAH/XAHD60H	0.93	0.93	0.95
TM9E100C20MP12	XAF/XAF/XAUD60H	0.96	0.98	0.97
TM9E100C20MP12	XAF/XAF/XAUD60H	0.96	0.98	0.97
TM9E100C20MP12	XAF/XAF/XAUD60H	0.96	0.98	0.97
TM9E100C20MP12	XAF/XAF/XAUD60H	0.96	0.98	0.97
TM9E100C20MP12	XAF/XAFC60H	0.96	0.98	0.97
TM9E100C20MP12	XAF/XAFC60H	0.96	0.98	0.97
TM9E100C20MP12	XAF/XAFC60H	0.96	0.98	0.97
TM9E100C20MP12	XAF/XAFC60H	0.96	0.98	0.97
TM9E100C20MP12	XAF/XAFD60J	0.97	1.04	0.98
TM9E100C20MP12	XAF/XAFD60J	0.97	1.04	0.98
TM9E100C20MP12	XAF/XAFD60J	0.97	1.04	0.98
TM9E100C20MP12	XAF/XAFD60J	0.97	1.04	0.98
TM9E100C20MP12	XAH/XAHC60H	0.96	0.98	0.97
TM9E100C20MP12	XAH/XAHC60H	0.96	0.98	0.97
TM9E100C20MP12	XAH/XAHC60H	0.96	0.98	0.97
TM9E100C20MP12	XAH/XAHC60H	0.96	0.98	0.97
TM9E100C20MP12	XAH/XAHD60H	0.96	0.98	0.97
TM9E100C20MP12	XAH/XAHD60H	0.96	0.98	0.97
TM9E100C20MP12	XAH/XAHD60H	0.96	0.98	0.97
TM9E100C20MP12	XAH/XAHD60H	0.96	0.98	0.97
TM9E100C20MP12	XAH/XAHD60J	0.97	1.02	0.97
TM9E100C20MP12	XAH/XAHD60J	0.97	1.02	0.97
TM9E100C20MP12	XAH/XAHD60J	0.97	1.02	0.97
TM9E100C20MP12	XAH/XAHD60J	0.97	1.02	0.97
TM9E120D20MP12	XAF/XAF/XAUD60H	0.95	0.96	0.97
TM9E120D20MP12	XAF/XAF/XAUD60H	0.95	0.96	0.97
TM9E120D20MP12	XAF/XAF/XAUD60H	0.95	0.96	0.97

Table 23: Cool multiplier furnace - 5 ton

Furnace model	Indoor coil model	Total capacity	Sensible capacity	kW
TM9E120D20MP12	XAF/XAF/XAUD60H	0.95	0.96	0.97
TM9E120D20MP12	XAF/XAFD60J	0.96	1.00	0.97
TM9E120D20MP12	XAF/XAFD60J	0.96	1.00	0.97
TM9E120D20MP12	XAF/XAFD60J	0.96	1.00	0.97
TM9E120D20MP12	XAF/XAFD60J	0.96	1.00	0.97
TM9E120D20MP12	XAH/XAHD60H	0.95	0.96	0.97
TM9E120D20MP12	XAH/XAHD60H	0.95	0.96	0.97
TM9E120D20MP12	XAH/XAHD60H	0.95	0.96	0.97
TM9E120D20MP12	XAH/XAHD60H	0.95	0.96	0.97
TM9E120D20MP12	XAH/XAHD60J	0.96	1.00	0.97
TM9E120D20MP12	XAH/XAHD60J	0.96	1.00	0.97
TM9E120D20MP12	XAH/XAHD60J	0.96	1.00	0.97
TM9E120D20MP12	XAH/XAHD60J	0.96	1.00	0.97
TM9V100C16MP12C	XAF/XAF/XAUD60H	0.95	0.96	0.97
TM9V100C16MP12C	XAF/XAF/XAUD60H	0.95	0.96	0.97
TM9V100C16MP12C	XAF/XAF/XAUD60H	0.95	0.96	0.97
TM9V100C16MP12C	XAF/XAF/XAUD60H	0.95	0.96	0.97
TM9V100C16MP12C	XAF/XAFC60H	0.94	0.94	0.96
TM9V100C16MP12C	XAF/XAFC60H	0.94	0.94	0.96
TM9V100C16MP12C	XAF/XAFC60H	0.94	0.94	0.96
TM9V100C16MP12C	XAF/XAFC60H	0.94	0.94	0.96
TM9V100C16MP12C	XAF/XAFD60J	0.96	1.01	0.97
TM9V100C16MP12C	XAF/XAFD60J	0.96	1.01	0.97
TM9V100C16MP12C	XAF/XAFD60J	0.96	1.01	0.97
TM9V100C16MP12C	XAF/XAFD60J	0.96	1.01	0.97
TM9V100C16MP12C	XAH/XAHC60H	0.95	0.96	0.97
TM9V100C16MP12C	XAH/XAHC60H	0.95	0.96	0.97
TM9V100C16MP12C	XAH/XAHC60H	0.95	0.96	0.97
TM9V100C16MP12C	XAH/XAHC60H	0.95	0.96	0.97
TM9V100C16MP12C	XAH/XAHD60H	0.94	0.94	0.96
TM9V100C16MP12C	XAH/XAHD60H	0.94	0.94	0.96
TM9V100C16MP12C	XAH/XAHD60H	0.94	0.94	0.96
TM9V100C16MP12C	XAH/XAHD60H	0.94	0.94	0.96
TM9V100C16MP12C	XAH/XAHD60J	0.95	0.98	0.97
TM9V100C16MP12C	XAH/XAHD60J	0.95	0.98	0.97
TM9V100C16MP12C	XAH/XAHD60J	0.95	0.98	0.97
TM9V100C16MP12C	XAH/XAHD60J	0.95	0.98	0.97
TM9V100C20MP12C	XAF/XAF/XAUD60H	0.95	0.96	0.97
TM9V100C20MP12C	XAF/XAF/XAUD60H	0.95	0.96	0.97

Table 23: Cool multiplier furnace - 5 ton

Furnace model	Indoor coil model	Total capacity	Sensible capacity	kW
TM9V100C20MP12C	XAF/XAF/XAUD60H	0.95	0.96	0.97
TM9V100C20MP12C	XAF/XAF/XAUD60H	0.95	0.96	0.97
TM9V100C20MP12C	XAF/XAFC60H	0.95	0.96	0.97
TM9V100C20MP12C	XAF/XAFC60H	0.95	0.96	0.97
TM9V100C20MP12C	XAF/XAFC60H	0.95	0.96	0.97
TM9V100C20MP12C	XAF/XAFC60H	0.95	0.96	0.97
TM9V100C20MP12C	XAF/XAFD60J	0.96	1.01	0.97
TM9V100C20MP12C	XAF/XAFD60J	0.96	1.01	0.97
TM9V100C20MP12C	XAF/XAFD60J	0.96	1.01	0.97
TM9V100C20MP12C	XAF/XAFD60J	0.96	1.01	0.97
TM9V100C20MP12C	XAH/XAHC60H	0.95	0.96	0.97
TM9V100C20MP12C	XAH/XAHC60H	0.95	0.96	0.97
TM9V100C20MP12C	XAH/XAHC60H	0.95	0.96	0.97
TM9V100C20MP12C	XAH/XAHC60H	0.95	0.96	0.97
TM9V100C20MP12C	XAH/XAHD60J	0.96	1.00	0.97
TM9V100C20MP12C	XAH/XAHD60J	0.96	1.00	0.97
TM9V100C20MP12C	XAH/XAHD60J	0.96	1.00	0.97
TM9V100C20MP12C	XAH/XAHD60J	0.96	1.00	0.97
TM9V120D20MP12C	XAF/XAF/XAUD60H	0.96	0.98	0.97
TM9V120D20MP12C	XAF/XAF/XAUD60H	0.96	0.98	0.97
TM9V120D20MP12C	XAF/XAF/XAUD60H	0.96	0.98	0.97
TM9V120D20MP12C	XAF/XAF/XAUD60H	0.96	0.98	0.97
TM9V120D20MP12C	XAF/XAFD60J	0.96	1.02	0.98
TM9V120D20MP12C	XAF/XAFD60J	0.96	1.02	0.98
TM9V120D20MP12C	XAF/XAFD60J	0.96	1.02	0.98
TM9V120D20MP12C	XAF/XAFD60J	0.96	1.02	0.98
TM9V120D20MP12C	XAH/XAHD60H	0.96	0.98	0.97
TM9V120D20MP12C	XAH/XAHD60H	0.96	0.98	0.97
TM9V120D20MP12C	XAH/XAHD60H	0.96	0.98	0.97
TM9V120D20MP12C	XAH/XAHD60H	0.96	0.98	0.97
TM9V120D20MP12C	XAH/XAHD60J	0.96	1.02	0.98
TM9V120D20MP12C	XAH/XAHD60J	0.96	1.02	0.98
TM9V120D20MP12C	XAH/XAHD60J	0.96	1.02	0.98
TM9V120D20MP12C	XAH/XAHD60J	0.96	1.02	0.98
TM9Y100C20MP11	XAF/XAF/XAUD60H	0.94	0.95	0.96
TM9Y100C20MP11	XAF/XAF/XAUD60H	0.94	0.95	0.96
TM9Y100C20MP11	XAF/XAF/XAUD60H	0.94	0.95	0.96
TM9Y100C20MP11	XAF/XAF/XAUD60H	0.94	0.95	0.96
TM9Y100C20MP11	XAF/XAFC60H	0.94	0.95	0.96

Table 23: Cool multiplier furnace - 5 ton

Furnace model	Indoor coil model	Total capacity	Sensible capacity	kW
TM9Y100C20MP11	XAF/XAFC60H	0.94	0.95	0.96
TM9Y100C20MP11	XAF/XAFC60H	0.94	0.95	0.96
TM9Y100C20MP11	XAF/XAFC60H	0.94	0.95	0.96
TM9Y100C20MP11	XAF/XAFD60J	0.95	0.99	0.97
TM9Y100C20MP11	XAF/XAFD60J	0.95	0.99	0.97
TM9Y100C20MP11	XAF/XAFD60J	0.95	0.99	0.97
TM9Y100C20MP11	XAF/XAFD60J	0.95	0.99	0.97
TM9Y100C20MP11	XAH/XAHC60H	0.94	0.89	0.96
TM9Y100C20MP11	XAH/XAHC60H	0.94	0.89	0.96
TM9Y100C20MP11	XAH/XAHC60H	0.94	0.89	0.96
TM9Y100C20MP11	XAH/XAHC60H	0.94	0.89	0.96
TM9Y100C20MP11	XAH/XAHD60H	0.94	0.89	0.96
TM9Y100C20MP11	XAH/XAHD60H	0.94	0.89	0.96
TM9Y100C20MP11	XAH/XAHD60H	0.94	0.89	0.96
TM9Y100C20MP11	XAH/XAHD60J	0.95	0.93	0.97
TM9Y100C20MP11	XAH/XAHD60J	0.95	0.93	0.97
TM9Y100C20MP11	XAH/XAHD60J	0.95	0.93	0.97
TM9Y100C20MP11	XAH/XAHD60J	0.95	0.93	0.97
TM9Y120D20MP11	XAF/XAF/XAUD60H	0.95	0.91	0.97
TM9Y120D20MP11	XAF/XAF/XAUD60H	0.95	0.91	0.97
TM9Y120D20MP11	XAF/XAF/XAUD60H	0.95	0.91	0.97
TM9Y120D20MP11	XAF/XAF/XAUD60H	0.95	0.91	0.97
TM9Y120D20MP11	XAF/XAFD60J	0.96	0.95	0.97
TM9Y120D20MP11	XAF/XAFD60J	0.96	0.95	0.97
TM9Y120D20MP11	XAF/XAFD60J	0.96	0.95	0.97
TM9Y120D20MP11	XAF/XAFD60J	0.96	0.95	0.97
TM9Y120D20MP11	XAH/XAHD60H	0.95	0.91	0.97
TM9Y120D20MP11	XAH/XAHD60H	0.95	0.91	0.97
TM9Y120D20MP11	XAH/XAHD60H	0.95	0.91	0.97
TM9Y120D20MP11	XAH/XAHD60H	0.95	0.91	0.97
TM9Y120D20MP11	XAH/XAHD60J	0.96	0.95	0.97
TM9Y120D20MP11	XAH/XAHD60J	0.96	0.95	0.97
TM9Y120D20MP11	XAH/XAHD60J	0.96	0.95	0.97
TM9Y120D20MP11	XAH/XAHD60J	0.96	0.95	0.97
TMLE080C20MP11	XAF/XAF/XAUD60H	0.95	0.96	0.97
TMLE080C20MP11	XAF/XAF/XAUD60H	0.95	0.96	0.97
TMLE080C20MP11	XAF/XAF/XAUD60H	0.95	0.96	0.97
TMLE080C20MP11	XAF/XAF/XAUD60H	0.95	0.96	0.97

Table 23: Cool multiplier furnace - 5 ton

Furnace model	Indoor coil model	Total capacity	Sensible capacity	kW
TMLE080C20MP11	XAF/XAFC60H	0.95	0.96	0.97
TMLE080C20MP11	XAF/XAFC60H	0.95	0.96	0.97
TMLE080C20MP11	XAF/XAFC60H	0.95	0.96	0.97
TMLE080C20MP11	XAF/XAFC60H	0.95	0.96	0.97
TMLE080C20MP11	XAF/XAFD60J	0.96	1.00	0.97
TMLE080C20MP11	XAF/XAFD60J	0.96	1.00	0.97
TMLE080C20MP11	XAF/XAFD60J	0.96	1.00	0.97
TMLE080C20MP11	XAF/XAFD60J	0.96	1.00	0.97
TMLE080C20MP11	XAH/XAHC60H	0.95	0.96	0.97
TMLE080C20MP11	XAH/XAHC60H	0.95	0.96	0.97
TMLE080C20MP11	XAH/XAHC60H	0.95	0.96	0.97
TMLE080C20MP11	XAH/XAHC60H	0.95	0.96	0.97
TMLE080C20MP11	XAH/XAHD60H	0.95	0.98	0.97
TMLE080C20MP11	XAH/XAHD60H	0.95	0.98	0.97
TMLE080C20MP11	XAH/XAHD60H	0.95	0.98	0.97
TMLE080C20MP11	XAH/XAHD60H	0.95	0.98	0.97
TMLE080C20MP11	XAH/XAHD60J	0.96	1.02	0.98
TMLE080C20MP11	XAH/XAHD60J	0.96	1.02	0.98
TMLE080C20MP11	XAH/XAHD60J	0.96	1.02	0.98
TMLE080C20MP11	XAH/XAHD60J	0.96	1.02	0.98
TMLE100C20MP11	XAF/XAF/XAUD60H	0.96	0.98	0.97
TMLE100C20MP11	XAF/XAF/XAUD60H	0.96	0.98	0.97
TMLE100C20MP11	XAF/XAF/XAUD60H	0.96	0.98	0.97
TMLE100C20MP11	XAF/XAF/XAUD60H	0.96	0.98	0.97
TMLE100C20MP11	XAF/XAFC60H	0.96	0.98	0.97
TMLE100C20MP11	XAF/XAFC60H	0.96	0.98	0.97
TMLE100C20MP11	XAF/XAFC60H	0.96	0.98	0.97
TMLE100C20MP11	XAF/XAFC60H	0.96	0.98	0.97
TMLE100C20MP11	XAF/XAFD60J	0.96	1.02	0.98
TMLE100C20MP11	XAF/XAFD60J	0.96	1.02	0.98
TMLE100C20MP11	XAF/XAFD60J	0.96	1.02	0.98
TMLE100C20MP11	XAF/XAFD60J	0.96	1.02	0.98
TMLE100C20MP11	XAH/XAHC60H	0.95	0.96	0.97
TMLE100C20MP11	XAH/XAHC60H	0.95	0.96	0.97
TMLE100C20MP11	XAH/XAHC60H	0.95	0.96	0.97
TMLE100C20MP11	XAH/XAHC60H	0.95	0.96	0.97
TMLE100C20MP11	XAH/XAHD60H	0.96	0.98	0.97
TMLE100C20MP11	XAH/XAHD60H	0.96	0.98	0.97
TMLE100C20MP11	XAH/XAHD60H	0.96	0.98	0.97

Table 23: Cool multiplier furnace - 5 ton

Furnace model	Indoor coil model	Total capacity	Sensible capacity	kW
TMLE100C20MP11	XAH/XAHD60H	0.96	0.98	0.97
TMLE100C20MP11	XAH/XAHD60J	0.96	1.01	0.98
TMLE100C20MP11	XAH/XAHD60J	0.96	1.01	0.98
TMLE100C20MP11	XAH/XAHD60J	0.96	1.01	0.98
TMLE100C20MP11	XAH/XAHD60J	0.96	1.01	0.98
TMLE120C16MP11	XAH/XAHC60H	0.94	0.94	0.96
TMLE120C16MP11	XAH/XAHC60H	0.94	0.94	0.96
TMLE120C16MP11	XAH/XAHC60H	0.94	0.94	0.96
TMLE120C16MP11	XAH/XAHC60H	0.94	0.94	0.96
TMLE120C20MP11	XAF/XAF/XAUD60H	0.95	0.96	0.97
TMLE120C20MP11	XAF/XAF/XAUD60H	0.95	0.96	0.97
TMLE120C20MP11	XAF/XAF/XAUD60H	0.95	0.96	0.97
TMLE120C20MP11	XAF/XAF/XAUD60H	0.95	0.96	0.97
TMLE120C20MP11	XAF/XAFC60H	0.95	0.96	0.97
TMLE120C20MP11	XAF/XAFC60H	0.95	0.96	0.97
TMLE120C20MP11	XAF/XAFC60H	0.95	0.96	0.97
TMLE120C20MP11	XAF/XAFC60H	0.95	0.96	0.97
TMLE120C20MP11	XAF/XAFD60J	0.96	1.01	0.98
TMLE120C20MP11	XAF/XAFD60J	0.96	1.01	0.98
TMLE120C20MP11	XAF/XAFD60J	0.96	1.01	0.98
TMLE120C20MP11	XAF/XAFD60J	0.96	1.01	0.98
TMLE120C20MP11	XAH/XAHC60H	0.95	0.96	0.97
TMLE120C20MP11	XAH/XAHC60H	0.95	0.96	0.97
TMLE120C20MP11	XAH/XAHC60H	0.95	0.96	0.97
TMLE120C20MP11	XAH/XAHC60H	0.95	0.96	0.97
TMLE120C20MP11	XAH/XAHD60H	0.95	0.96	0.97
TMLE120C20MP11	XAH/XAHD60H	0.95	0.96	0.97
TMLE120C20MP11	XAH/XAHD60H	0.95	0.96	0.97
TMLE120C20MP11	XAH/XAHD60H	0.95	0.96	0.97
TMLE120C20MP11	XAH/XAHD60J	0.96	1.00	0.97
TMLE120C20MP11	XAH/XAHD60J	0.96	1.00	0.97
TMLE120C20MP11	XAH/XAHD60J	0.96	1.00	0.97
TMLE120C20MP11	XAH/XAHD60J	0.96	1.00	0.97
TMLE130D20MP11	XAF/XAF/XAUD60H	0.95	0.96	0.97
TMLE130D20MP11	XAF/XAF/XAUD60H	0.95	0.96	0.97
TMLE130D20MP11	XAF/XAF/XAUD60H	0.95	0.96	0.97
TMLE130D20MP11	XAF/XAF/XAUD60H	0.95	0.96	0.97
TMLE130D20MP11	XAF/XAFD60J	0.96	1.01	0.98
TMLE130D20MP11	XAF/XAFD60J	0.96	1.01	0.98

Table 23: Cool multiplier furnace - 5 ton

Furnace model	Indoor coil model	Total capacity	Sensible capacity	kW
TMLE130D20MP11	XAF/XAFD60J	0.96	1.01	0.98
TMLE130D20MP11	XAF/XAFD60J	0.96	1.01	0.98
TMLE130D20MP11	XAH/XAHD60H	0.95	0.96	0.97
TMLE130D20MP11	XAH/XAHD60H	0.95	0.96	0.97
TMLE130D20MP11	XAH/XAHD60H	0.95	0.96	0.97
TMLE130D20MP11	XAH/XAHD60H	0.95	0.96	0.97
TMLE130D20MP11	XAH/XAHD60J	0.96	1.01	0.97
TMLE130D20MP11	XAH/XAHD60J	0.96	1.01	0.97
TMLE130D20MP11	XAH/XAHD60J	0.96	1.01	0.97
TMLE130D20MP11	XAH/XAHD60J	0.96	1.01	0.97
TMLV120C20MP12C	XAH/XAHC60H	0.95	0.96	0.97
TMLV120C20MP12C	XAH/XAHC60H	0.95	0.96	0.97
TMLV120C20MP12C	XAH/XAHC60H	0.95	0.96	0.97
TMLV120C20MP12C	XAH/XAHC60H	0.95	0.96	0.97
TP9C100C16MP13C	XAF/XAF/XAUD60H	0.95	0.96	0.97
TP9C100C16MP13C	XAF/XAF/XAUD60H	0.95	0.96	0.97
TP9C100C16MP13C	XAF/XAF/XAUD60H	0.95	0.96	0.97
TP9C100C16MP13C	XAF/XAF/XAUD60H	0.95	0.96	0.97
TP9C100C16MP13C	XAF/XAFC60H	0.94	0.94	0.96
TP9C100C16MP13C	XAF/XAFC60H	0.94	0.94	0.96
TP9C100C16MP13C	XAF/XAFC60H	0.94	0.94	0.96
TP9C100C16MP13C	XAF/XAFC60H	0.94	0.94	0.96
TP9C100C16MP13C	XAF/XAFD60J	0.96	1.01	0.97
TP9C100C16MP13C	XAF/XAFD60J	0.96	1.01	0.97
TP9C100C16MP13C	XAF/XAFD60J	0.96	1.01	0.97
TP9C100C16MP13C	XAH/XAHC60H	0.95	0.96	0.97
TP9C100C16MP13C	XAH/XAHC60H	0.95	0.96	0.97
TP9C100C16MP13C	XAH/XAHC60H	0.95	0.96	0.97
TP9C100C16MP13C	XAH/XAHC60H	0.95	0.96	0.97
TP9C100C16MP13C	XAH/XAHD60H	0.94	0.94	0.96
TP9C100C16MP13C	XAH/XAHD60H	0.94	0.94	0.96
TP9C100C16MP13C	XAH/XAHD60H	0.94	0.94	0.96
TP9C100C16MP13C	XAH/XAHD60H	0.94	0.94	0.96
TP9C100C16MP13C	XAH/XAHD60J	0.95	0.98	0.97
TP9C100C16MP13C	XAH/XAHD60J	0.95	0.98	0.97
TP9C100C16MP13C	XAH/XAHD60J	0.95	0.98	0.97
TP9C100C20MP13C	XAF/XAF/XAUD60H	0.95	0.96	0.97

Table 23: Cool multiplier furnace - 5 ton

Furnace model	Indoor coil model	Total capacity	Sensible capacity	kW
TP9C100C20MP13C	XAF/XAF/XAUD60H	0.95	0.96	0.97
TP9C100C20MP13C	XAF/XAF/XAUD60H	0.95	0.96	0.97
TP9C100C20MP13C	XAF/XAF/XAUD60H	0.95	0.96	0.97
TP9C100C20MP13C	XAF/XAFC60H	0.95	0.96	0.97
TP9C100C20MP13C	XAF/XAFC60H	0.95	0.96	0.97
TP9C100C20MP13C	XAF/XAFC60H	0.95	0.96	0.97
TP9C100C20MP13C	XAF/XAFC60H	0.95	0.96	0.97
TP9C100C20MP13C	XAF/XAFD60J	0.96	1.01	0.97
TP9C100C20MP13C	XAF/XAFD60J	0.96	1.01	0.97
TP9C100C20MP13C	XAF/XAFD60J	0.96	1.01	0.97
TP9C100C20MP13C	XAF/XAFD60J	0.96	1.01	0.97
TP9C100C20MP13C	XAH/XAHC60H	0.95	0.96	0.97
TP9C100C20MP13C	XAH/XAHC60H	0.95	0.96	0.97
TP9C100C20MP13C	XAH/XAHC60H	0.95	0.96	0.97
TP9C100C20MP13C	XAH/XAHC60H	0.95	0.96	0.97
TP9C100C20MP13C	XAH/XAHD60J	0.96	1.00	0.97
TP9C100C20MP13C	XAH/XAHD60J	0.96	1.00	0.97
TP9C100C20MP13C	XAH/XAHD60J	0.96	1.00	0.97
TP9C100C20MP13C	XAH/XAHD60J	0.96	1.00	0.97
TP9C120D20MP13C	XAF/XAF/XAUD60H	0.96	0.98	0.97
TP9C120D20MP13C	XAF/XAF/XAUD60H	0.96	0.98	0.97
TP9C120D20MP13C	XAF/XAF/XAUD60H	0.96	0.98	0.97
TP9C120D20MP13C	XAF/XAF/XAUD60H	0.96	0.98	0.97
TP9C120D20MP13C	XAF/XAFD60J	0.96	1.02	0.98
TP9C120D20MP13C	XAF/XAFD60J	0.96	1.02	0.98
TP9C120D20MP13C	XAF/XAFD60J	0.96	1.02	0.98
TP9C120D20MP13C	XAF/XAFD60J	0.96	1.02	0.98
TP9C120D20MP13C	XAH/XAHD60H	0.96	0.98	0.97
TP9C120D20MP13C	XAH/XAHD60H	0.96	0.98	0.97
TP9C120D20MP13C	XAH/XAHD60H	0.96	0.98	0.97
TP9C120D20MP13C	XAH/XAHD60H	0.96	0.98	0.97
TP9C120D20MP13C	XAH/XAHD60J	0.96	1.02	0.98
TP9C120D20MP13C	XAH/XAHD60J	0.96	1.02	0.98
TP9C120D20MP13C	XAH/XAHD60J	0.96	1.02	0.98
TP9C120D20MP13C	XAH/XAHD60J	0.96	1.02	0.98
TPLC100C20MP13C	XAH/XAHC60H	0.95	0.96	0.97
TPLC100C20MP13C	XAH/XAHC60H	0.95	0.96	0.97
TPLC100C20MP13C	XAH/XAHC60H	0.95	0.96	0.97
TPLC100C20MP13C	XAH/XAHC60H	0.95	0.96	0.97

Table 23: Cool multiplier furnace - 5 ton

Furnace model	Indoor coil model	Total capacity	Sensible capacity	kW
TPLC120C20MP13C	XAH/XAHC60H	0.95	0.96	0.97
TPLC120C20MP13C	XAH/XAHC60H	0.95	0.96	0.97
TPLC120C20MP13C	XAH/XAHC60H	0.95	0.96	0.97
TPLC120C20MP13C	XAH/XAHC60H	0.95	0.96	0.97
YP9C100C16MP13C	XAF/XAF/XAUD60H	0.95	0.96	0.97
YP9C100C16MP13C	XAF/XAF/XAUD60H	0.95	0.96	0.97
YP9C100C16MP13C	XAF/XAF/XAUD60H	0.95	0.96	0.97
YP9C100C16MP13C	XAF/XAF/XAUD60H	0.95	0.96	0.97
YP9C100C16MP13C	XAF/XAFC60H	0.94	0.94	0.96
YP9C100C16MP13C	XAF/XAFC60H	0.94	0.94	0.96
YP9C100C16MP13C	XAF/XAFC60H	0.94	0.94	0.96
YP9C100C16MP13C	XAF/XAFC60H	0.94	0.94	0.96
YP9C100C16MP13C	XAF/XAFD60J	0.96	1.01	0.97
YP9C100C16MP13C	XAF/XAFD60J	0.96	1.01	0.97
YP9C100C16MP13C	XAF/XAFD60J	0.96	1.01	0.97
YP9C100C16MP13C	XAF/XAFD60J	0.96	1.01	0.97
YP9C100C16MP13C	XAH/XAHC60H	0.95	0.96	0.97
YP9C100C16MP13C	XAH/XAHC60H	0.95	0.96	0.97
YP9C100C16MP13C	XAH/XAHC60H	0.95	0.96	0.97
YP9C100C16MP13C	XAH/XAHC60H	0.95	0.96	0.97
YP9C100C16MP13C	XAH/XAHD60H	0.94	0.94	0.96
YP9C100C16MP13C	XAH/XAHD60H	0.94	0.94	0.96
YP9C100C16MP13C	XAH/XAHD60H	0.94	0.94	0.96
YP9C100C16MP13C	XAH/XAHD60H	0.94	0.94	0.96
YP9C100C16MP13C	XAH/XAHD60J	0.95	0.98	0.97
YP9C100C16MP13C	XAH/XAHD60J	0.95	0.98	0.97
YP9C100C16MP13C	XAH/XAHD60J	0.95	0.98	0.97
YP9C100C16MP13C	XAH/XAHD60J	0.95	0.98	0.97
YP9C100C20MP13C	XAF/XAF/XAUD60H	0.95	0.96	0.97
YP9C100C20MP13C	XAF/XAF/XAUD60H	0.95	0.96	0.97
YP9C100C20MP13C	XAF/XAF/XAUD60H	0.95	0.96	0.97
YP9C100C20MP13C	XAF/XAF/XAUD60H	0.95	0.96	0.97
YP9C100C20MP13C	XAF/XAFC60H	0.95	0.96	0.97
YP9C100C20MP13C	XAF/XAFC60H	0.95	0.96	0.97
YP9C100C20MP13C	XAF/XAFC60H	0.95	0.96	0.97
YP9C100C20MP13C	XAF/XAFC60H	0.95	0.96	0.97
YP9C100C20MP13C	XAF/XAFD60J	0.96	1.01	0.97
YP9C100C20MP13C	XAF/XAFD60J	0.96	1.01	0.97
YP9C100C20MP13C	XAF/XAFD60J	0.96	1.01	0.97

Table 23: Cool multiplier furnace - 5 ton

Furnace model	Indoor coil model	Total capacity	Sensible capacity	kW
YP9C100C20MP13C	XAF/XAFD60J	0.96	1.01	0.97
YP9C100C20MP13C	XAH/XAHC60H	0.95	0.96	0.97
YP9C100C20MP13C	XAH/XAHC60H	0.95	0.96	0.97
YP9C100C20MP13C	XAH/XAHC60H	0.95	0.96	0.97
YP9C100C20MP13C	XAH/XAHC60H	0.95	0.96	0.97
YP9C100C20MP13C	XAH/XAHD60J	0.96	1.00	0.97
YP9C100C20MP13C	XAH/XAHD60J	0.96	1.00	0.97
YP9C100C20MP13C	XAH/XAHD60J	0.96	1.00	0.97
YP9C100C20MP13C	XAH/XAHD60J	0.96	1.00	0.97
YP9C120D20MP13C	XAF/XAF/XAUD60H	0.96	0.98	0.97
YP9C120D20MP13C	XAF/XAF/XAUD60H	0.96	0.98	0.97
YP9C120D20MP13C	XAF/XAF/XAUD60H	0.96	0.98	0.97
YP9C120D20MP13C	XAF/XAF/XAUD60H	0.96	0.98	0.97
YP9C120D20MP13C	XAF/XAFD60J	0.96	1.02	0.98
YP9C120D20MP13C	XAF/XAFD60J	0.96	1.02	0.98
YP9C120D20MP13C	XAF/XAFD60J	0.96	1.02	0.98
YP9C120D20MP13C	XAF/XAFD60J	0.96	1.02	0.98
YP9C120D20MP13C	XAH/XAHD60H	0.96	0.98	0.97
YP9C120D20MP13C	XAH/XAHD60H	0.96	0.98	0.97
YP9C120D20MP13C	XAH/XAHD60H	0.96	0.98	0.97
YP9C120D20MP13C	XAH/XAHD60H	0.96	0.98	0.97
YP9C120D20MP13C	XAH/XAHD60J	0.96	1.02	0.98
YP9C120D20MP13C	XAH/XAHD60J	0.96	1.02	0.98
YP9C120D20MP13C	XAH/XAHD60J	0.96	1.02	0.98
YP9C120D20MP13C	XAH/XAHD60J	0.96	1.02	0.98
YPLC100C20MP13C	XAH/XAHC60H	0.95	0.96	0.97
YPLC100C20MP13C	XAH/XAHC60H	0.95	0.96	0.97
YPLC100C20MP13C	XAH/XAHC60H	0.95	0.96	0.97
YPLC100C20MP13C	XAH/XAHC60H	0.95	0.96	0.97
YPLC120C20MP13C	XAH/XAHC60H	0.95	0.96	0.97
YPLC120C20MP13C	XAH/XAHC60H	0.95	0.96	0.97
YPLC120C20MP13C	XAH/XAHC60H	0.95	0.96	0.97
YPLC120C20MP13C	XAH/XAHC60H	0.95	0.96	0.97