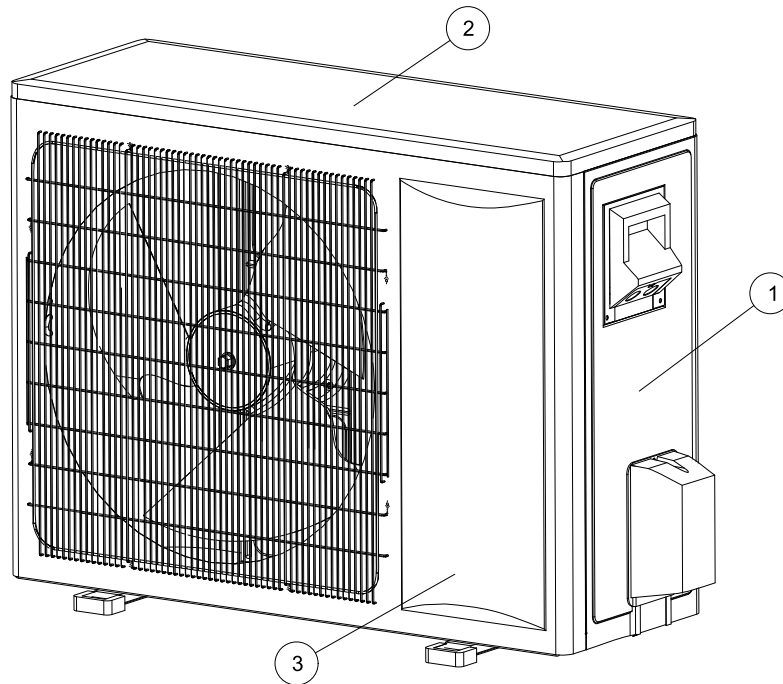


HMCG22B361S - RES SPLT AC 16SEER2 3.0T R410A HD MOD

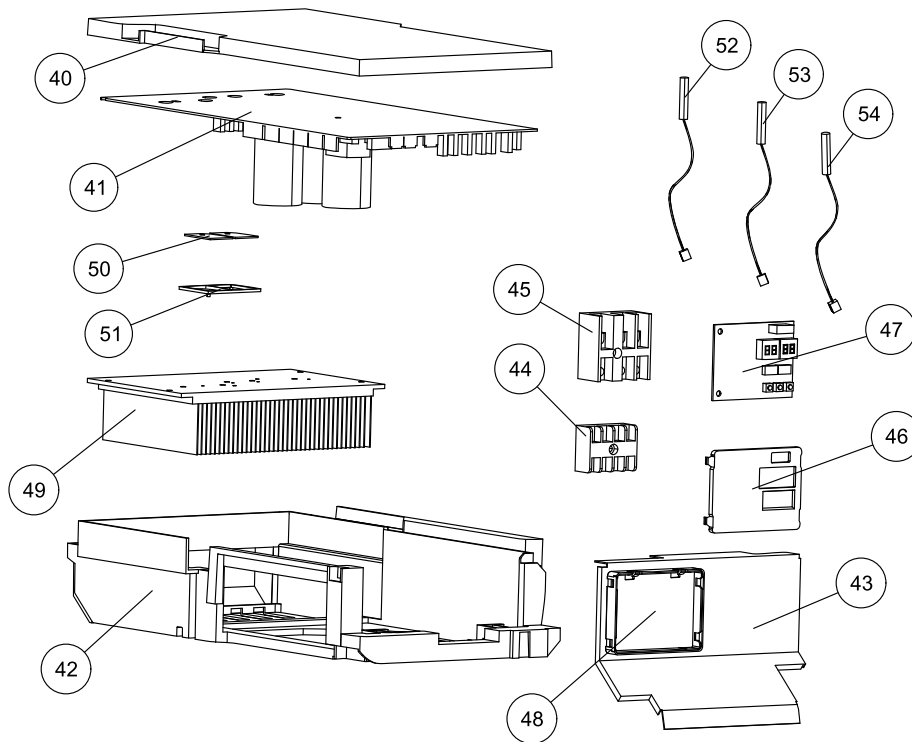
REPAIR PARTS LIST

PRINTED DATE: 4/8/2024 for Model Number: HMCG22B361S, Produced: 2/15/2024

The information provided to you may include Johnson Controls' trade secrets, intellectual property, and confidential business information (including its Bill of Materials), and this information is to be kept in the strictest confidence and not to be disclosed to any third party without the prior written consent of Johnson Controls.

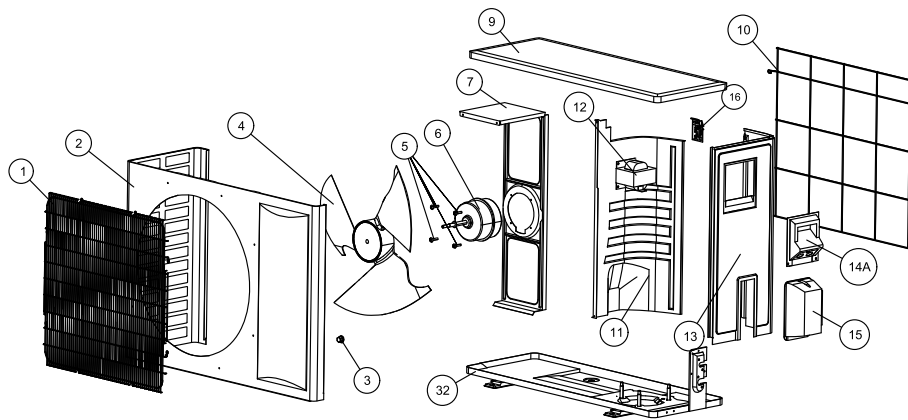


Section	Description
1	ELECTRICAL BOX / CONTROLS
2	SHEET METAL / CABINET PARTS
3	REFRIGERATION SYSTEM
8	MISCELLANEOUS


Section : ELECTRICAL BOX / CONTROLS

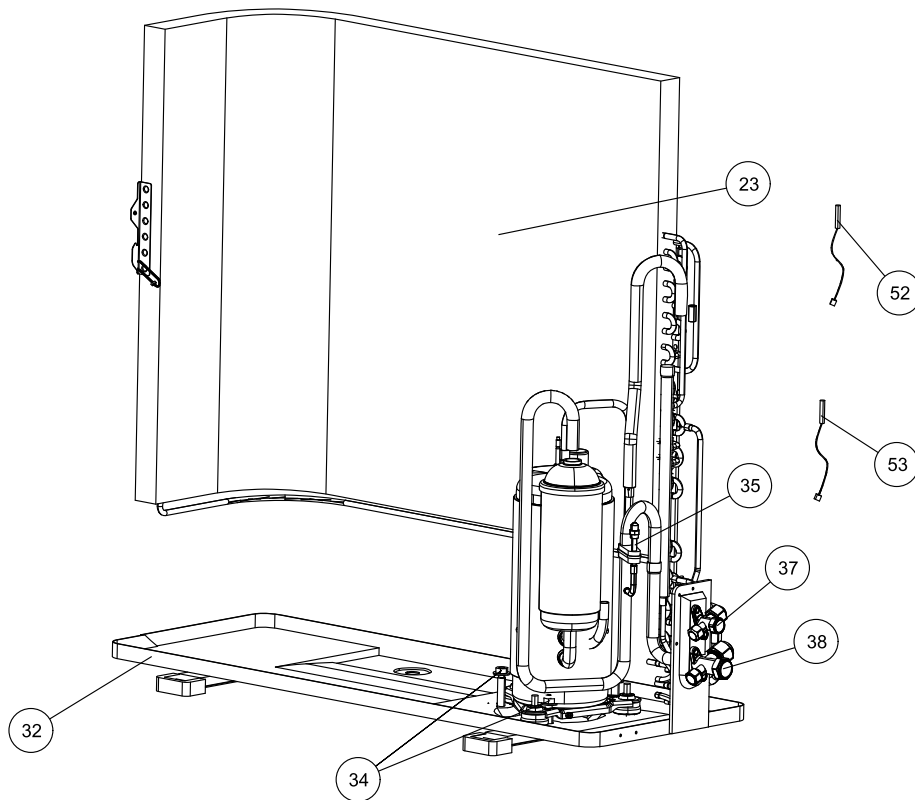
Section	Callout	Replacement Part #	Description	Original Part #	HMCG22B361S
1	5	S1-2119437	BOLT,ASSEMBLY,COND MOTOR	S1-2119437	4
1	41	S1-2248013	BOARD,CONTROL,INVERTER,36K	S1-2248013	1
1	43	S1-2191544	PNL,ELECTRICAL/CONTROL	S1-2191544	1
1	44	S1-2150399	TERMINAL BLOCK,2 POLE,30A,300V,12AWG	S1-2150399	1
1	44	S1-2150410	TERMINAL BLOCK,5 POLE,20A,300V,18AWG	S1-2150410	1
1	46	S1-2150185	COVER,CONTROL/DISPLAY CASING,CASING	S1-2150185	1
1	47	S1-2150396	BOARD,CONTROL/DISPLAY	S1-2150396	1
1	48	S1-2090874	CASING,CONTROL/DISPLAY,PLASTIC	S1-2090874	1
1	50	S1-1440764	INSULATION,SPACER,HEAT SINK	S1-1440764	2
1	52	S1-1822633	SENSOR,TEMP,COIL,-22/221 F,36.2 IN LEAD	S1-1822633	1
1	53	S1-1837502	SENSOR,TEMP,DISCH,-22/221 F,21.6 IN LEAD	S1-1837502	1
1	54	S1-1831029	SENSOR,TEMP,AMB,-22/221 F,23.5 IN LEAD	S1-1831029	1

Suggested stocking items are shown with shaded item number.


Section : SHEET METAL / CABINET PARTS

Section	Callout	Replacement Part #	Description	Original Part #	HMCG22B361S
2	1	S1-2237980	GUARD,FAN	S1-2237980	1
2	2	S1-2238781	PNL,VENTURI	S1-2238781	1
2	4	S1-2087635	PROP,FAN,19.8 IN,3 BLADE,120 ANGLE	S1-2087635	1
2	6	S1-1821300	MTR,COND,1/7,920/1,310-3-60	S1-1821300	1
2	7	S1-2179738	BRACKET,COND MOTOR SUPPORT	S1-2179738	1
2	9	S1-2108385	PNL,TOP	S1-2108385	1
2	10	S1-2237957	GUARD,COIL,BACK	S1-2237957	1
2	11	S1-2106553	ASSEMBLY PNL ASSEM,COMPRESSOR BARRIER	S1-2106553	1
2	12	S1-1302261	REACTOR,1PH,25A,5.0MH	S1-1302261	1
2	13	S1-2160200	PNL,ACCESS,SIDE	S1-2160200	1
2	14A	S1-1854040	HANDLE,PANEL,SIDE ACCESS	S1-1854040	1
2	14A	S1-1863156	HANDLE,PANEL,SIDE ACCESS	S1-1863156	1
2	15	S1-1825563	COVER,BASE VALVE	S1-1825563	1
2	16	S1-1546721	PLATE,SENSOR MOUNTING	S1-1546721	1

Suggested stocking items are shown with shaded item number.



Section : REFRIGERATION SYSTEM

Section	Callout	Replacement Part #	Description	Original Part #	HMCG22B361S
3	23	S1-2246024	COIL,OD FORMED ASSEM	S1-2246024	1
3	26	S1-2100217	COMPR,TWIN ROTARY,230V,1PH,R-410A,VG74	S1-2100217	1
3	35	S1-2004319	TRANSDUCER,PRES,REFRIG	S1-2004319	1
3	37	S1-1466345	VLV,BASE,LIQUID	S1-1466345	1
3	38	S1-1999913	VLV,BASE,SUCTION	S1-1999913	1

Suggested stocking items are shown with shaded item number.

Section : MISCELLANEOUS

Section	Callout	Replacement Part #	Description	Original Part #	HMCG22B361S
8	NS	S1-1397311	HARNESS,COMPRESSOR	S1-1397311	1

Suggested stocking items are shown with shaded item number.

Model series repair parts lists are generated for each model number from the last production bill of material.

Major components and suggested stocking items are shown with shaded item number.

Repair parts lists are subject to change without notice.

TO ORDER AUTHORIZED FACTORY REPLACEMENT PARTS - Contact your Source1 HVAC Parts Distributor or visit our website at www.Source1Parts.com for a Distributor and Dealer listing.

Copyright © 2024 by Johnson Controls Inc. All rights reserved.

Johnson Controls Unitary Products